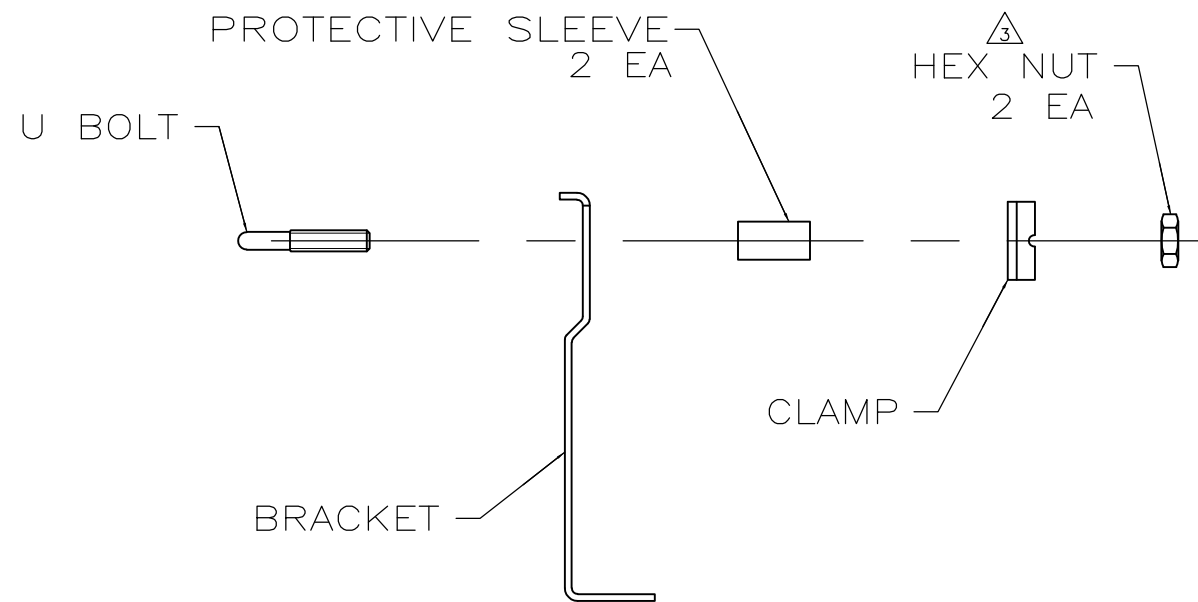
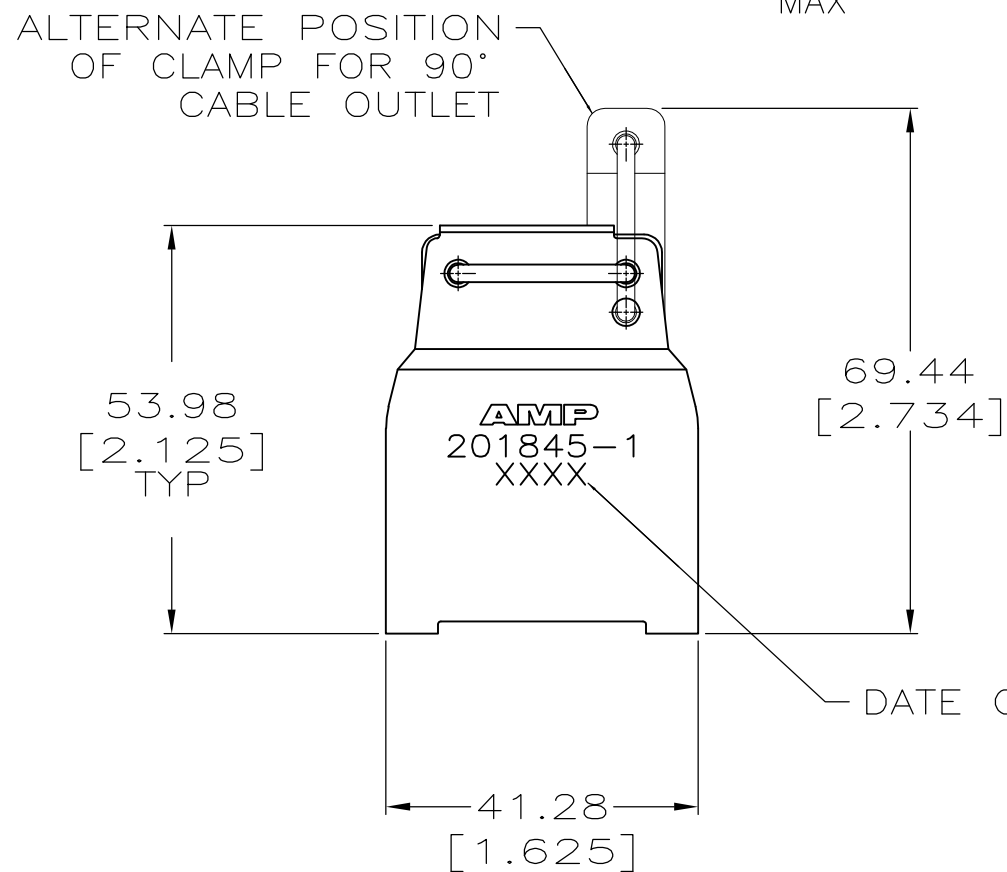
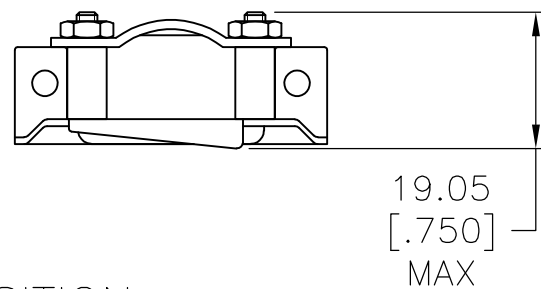


THIS DRAWING IS UNPUBLISHED. RELEASED FOR PUBLICATION
 © COPYRIGHT BY TYCO ELECTRONICS CORPORATION. ALL RIGHTS RESERVED.

LOC	DIST	REVISIONS			
P	LTR	DESCRIPTION	DATE	DWN	APVD
FT	0	E	REVISED PER ECO-08-031035	15DEC08	HMR GS



- 1 U BOLT: STAINLESS STEEL.
BRACKET, CLAMP & HEX NUT: CARBON STEEL.
PROTECTIVE SLEEVE: POLYVINYL CHLORIDE.
- 2 U BOLT: PASSIVATED.
BRACKET & CLAMP: 5.08um[.000200] MIN NICKEL PLATED.
- 3 ZINC PLATED.

201845-2
201845-1
PART NUMBER

ASSEMBLED VIEW

THIS DRAWING IS A CONTROLLED DOCUMENT.		DWN C.REIFSNYDER 29 AUG 95	Tyco Electronics Corporation Harrisburg, Pa 17105-3608		
DIMENSIONS: mm [INCHES]		CHK R.STONE 31 AUG 95	NAME CLAMP KIT, UNASSEMBLED, STRAIN RELIEF, 26 PLACE, M SERIES		
TOLERANCES UNLESS OTHERWISE SPECIFIED:		APVD G.STEINHAUER 05 OCT 95	PRODUCT SPEC	SIZE	CAGE CODE
0 PLC	± -	PRODUCT SPEC	---	A3	00779
1 PLC	± -	APPLICATION SPEC	---	DRAWING NO	G-201845
2 PLC	± 0.38[.015]	---	---	RESTRICTED TO	---
3 PLC	± -	---	---	SCALE	1:1
4 PLC	± -	---	---	SHEET	1 OF 1
ANGLES	± -	---	---	REV	E
MATERIAL	FINISH	WEIGHT	---	CUSTOMER DRAWING	