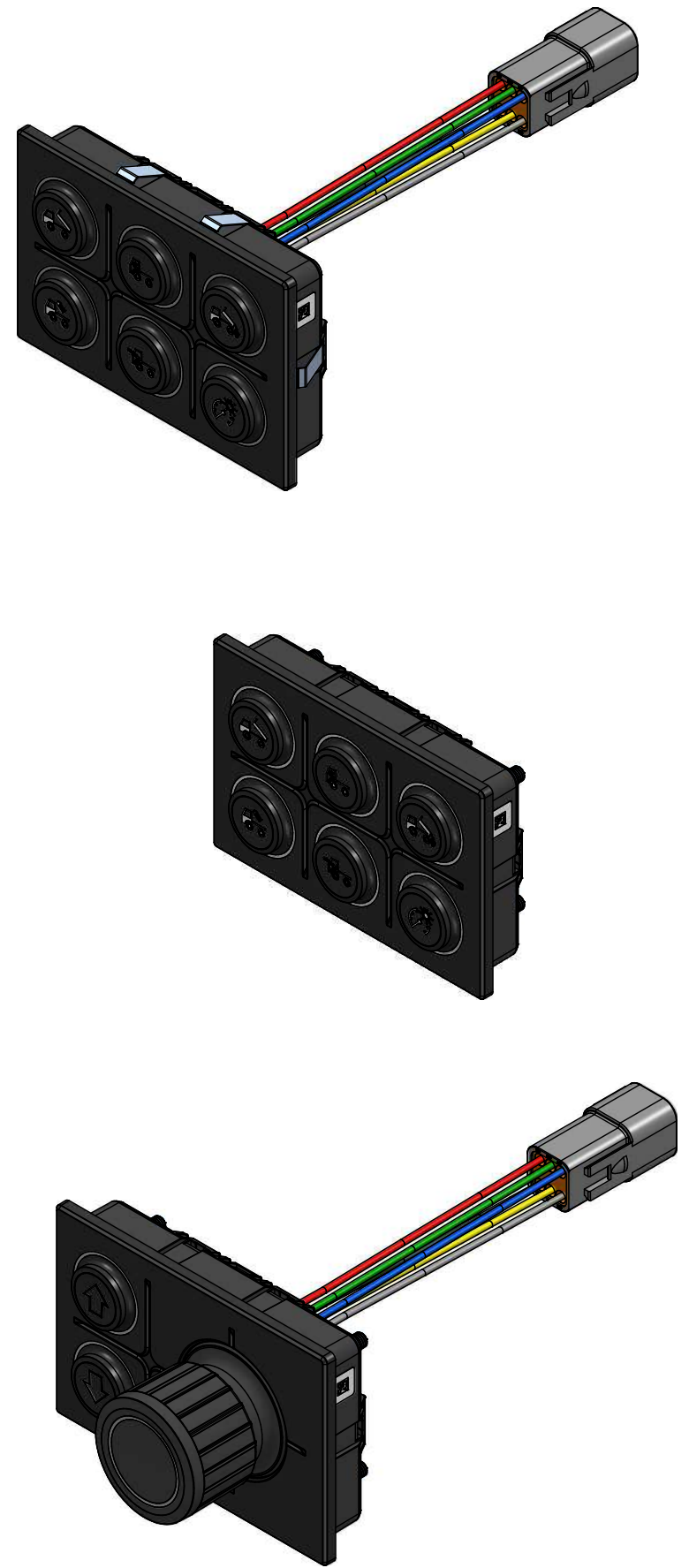


Design In Kits for S09 Rugged Keypads

exemplary representation of individual variants



revision	zone	date	description		RP - no.
01	-	10.01.2022	initial edition		1026
-	-	-	-		-
-	-	-	-		-
-	-	-	-		-
-	-	-	-		-
-	-	-	-		-

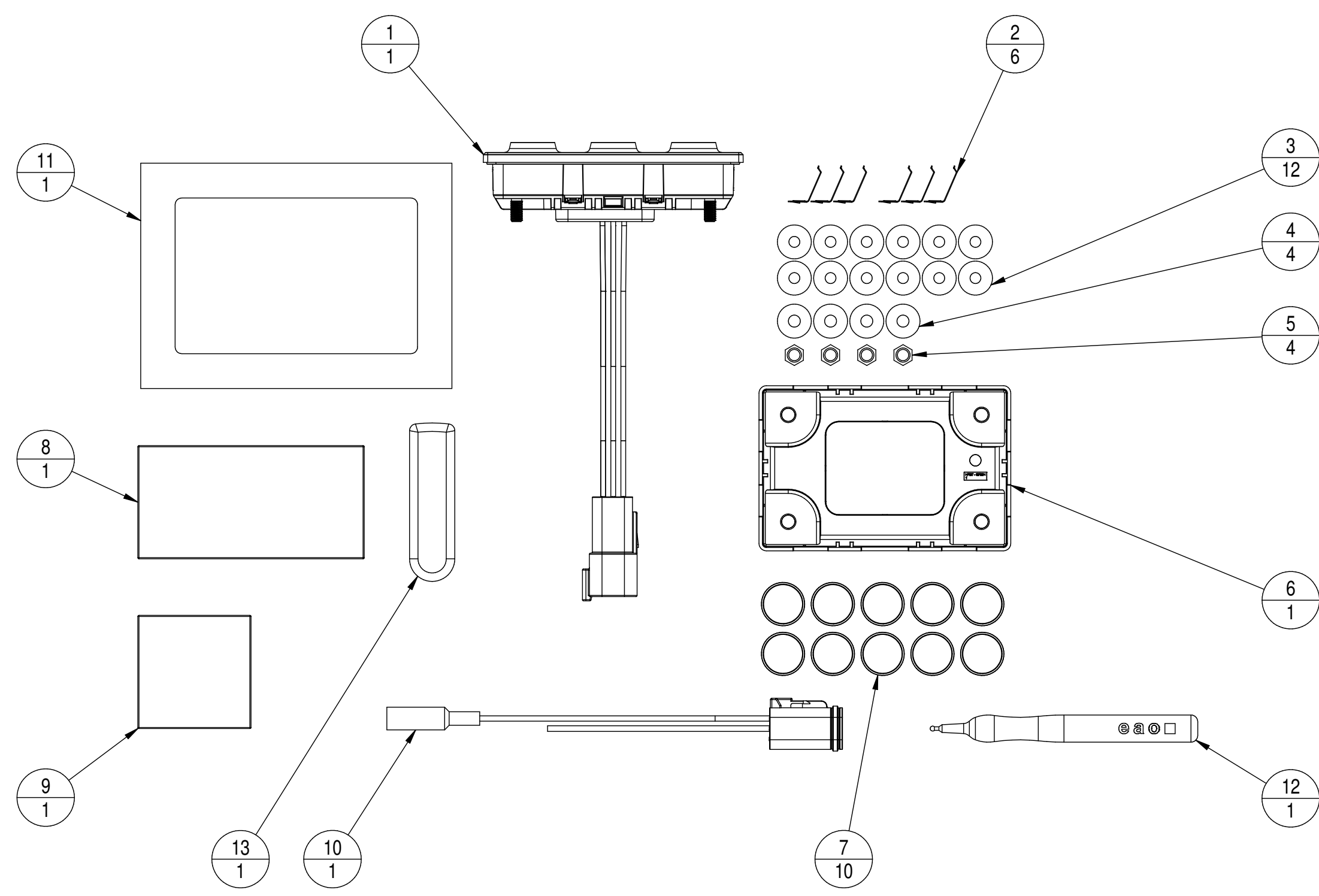
- sheet 1: cover
- sheet 2: scope of delivery CAN keypad
- sheet 3: scope of delivery CAN RCC
- sheet 4: scope of delivery hardwired keypad 12 V
- sheet 5: scope of delivery hardwired keypad 24 V
- sheet 6: mounting specifications - assembly CAN keypad
- sheet 7: mounting specifications - assembly CAN RCC
- sheet 8: mounting specifications - assembly hardwired
- sheet 9: circuit diagrams - electrical connection

description				S09 outdoor Design-In Kits		drawing no.		2002940001		revision		01	
eao ■ EAO Automotive GmbH & Co. KG Richard-Wagner-Straße 3 08209 Auerbach GERMANY				scale		format		weight		document type		status	
				1:2		A 3		-		product information		only for information	
1st angle projection 				all dimensions are in millimeters				date		name		sheet no.	
								drawn		10.01.2022		EBJ	
				approved		17.01.2022		SCR					

revision	date	description	FBP-no
01	10.01.2022	initial edition	1006
-	-	-	-
-	-	-	-
-	-	-	-

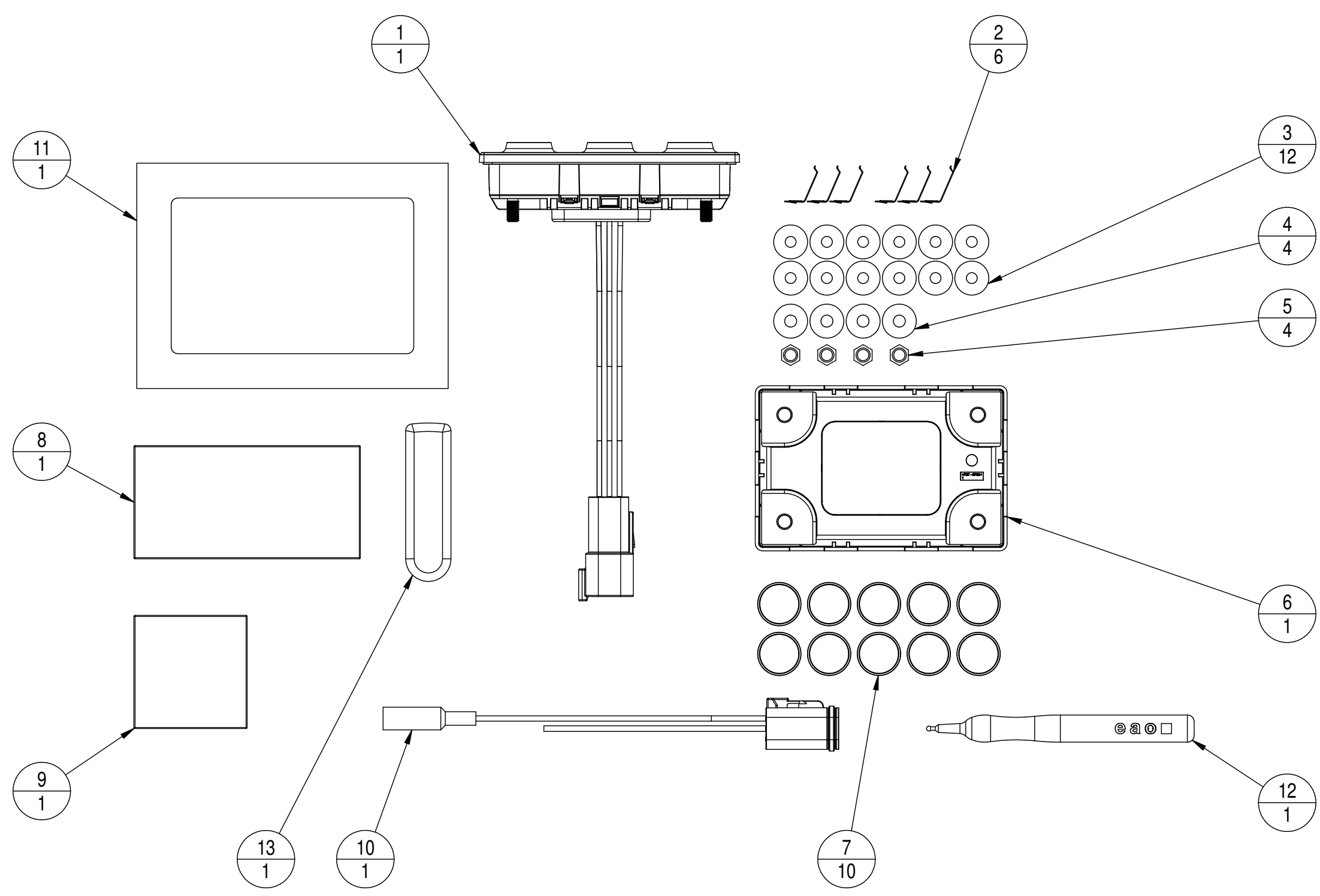
scope of delivery CAN keypad

CANopen Design- in kit - 09-0A22.1111



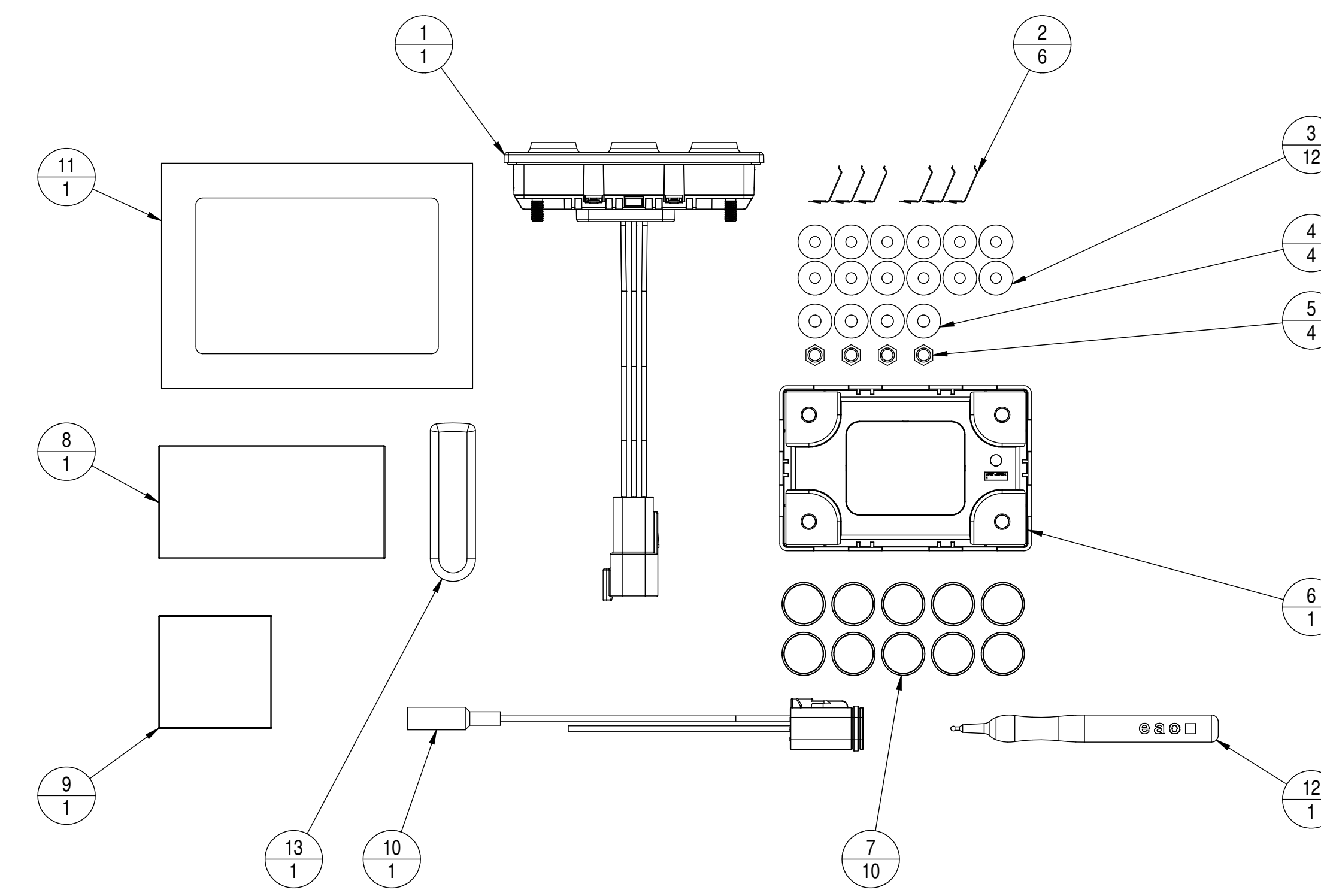
pos.	description	qty.	comment
1	CAN IP67 keypad; CANopen; Screw-in; LoadDump B; RGB	1	
2	retaining clip for 2 mm panel	6	
3	rubber washer 4,8x15x1	12	quantity depending on panel thickness: 1 mm: 0 per stud 2 mm: 1 per stud 3 mm: 2 per stud 4 mm: 3 per stud
4	washer DIN9021 stainless A2	4	
5	nut	4	
6	coupler	1	
7	symbol insert	10	graphical symbols: 1x 09-OS12.5005 acc. to IEC 60417 1x 09-OS12.5006 acc. to IEC 60417 1x 09-OS12.1388 acc. to DIN ISO 7000 1x 09-OS12.0244 acc. to DIN ISO 7000 1x 09-OS12.2810 acc. to DIN ISO 7000 1x 09-OS12.2811 acc. to DIN ISO 7000 1x 09-OS12.1387 acc. to DIN ISO 7000 1x 09-OS12.0085 acc. to DIN ISO 7000 2x 09-OS12.0251 acc. to DIN ISO 7000
8	power supply	1	
9	plug adapter	1	
10	adapter cable keypad	1	
11	mounting frame aluminium 2 mm	1	
12	insert tool	1	09-0A00.0001
13	USB-Stick	1	

J1939 Design- in kit - 09-0A12.1111



pos.	description	qty.	comment
1	CAN IP67 keypad; J1939; Screw-in; LoadDump B; RGB	1	
2	retaining clip for 2 mm panel	6	
3	rubber washer 4,8x15x1	12	quantity depending on panel thickness: 1 mm: 0 per stud 2 mm: 1 per stud 3 mm: 2 per stud 4 mm: 3 per stud
4	washer DIN9021 stainless A2	4	
5	nut	4	
6	coupler	1	
7	symbol insert	10	graphical symbols: 1x 09-OS12.5005 acc. to IEC 60417 1x 09-OS12.5006 acc. to IEC 60417 1x 09-OS12.1388 acc. to DIN ISO 7000 1x 09-OS12.0244 acc. to DIN ISO 7000 1x 09-OS12.2810 acc. to DIN ISO 7000 1x 09-OS12.2811 acc. to DIN ISO 7000 1x 09-OS12.1387 acc. to DIN ISO 7000 1x 09-OS12.0085 acc. to DIN ISO 7000 2x 09-OS12.0251 acc. to DIN ISO 7000
8	power supply	1	
9	plug adapter	1	
10	adapter cable keypad	1	
11	mounting frame aluminium 2 mm	1	
12	insert tool	1	09-0A00.0001
13	USB-Stick	1	

CANopen safety Design- in kit - 09-0A32.1111



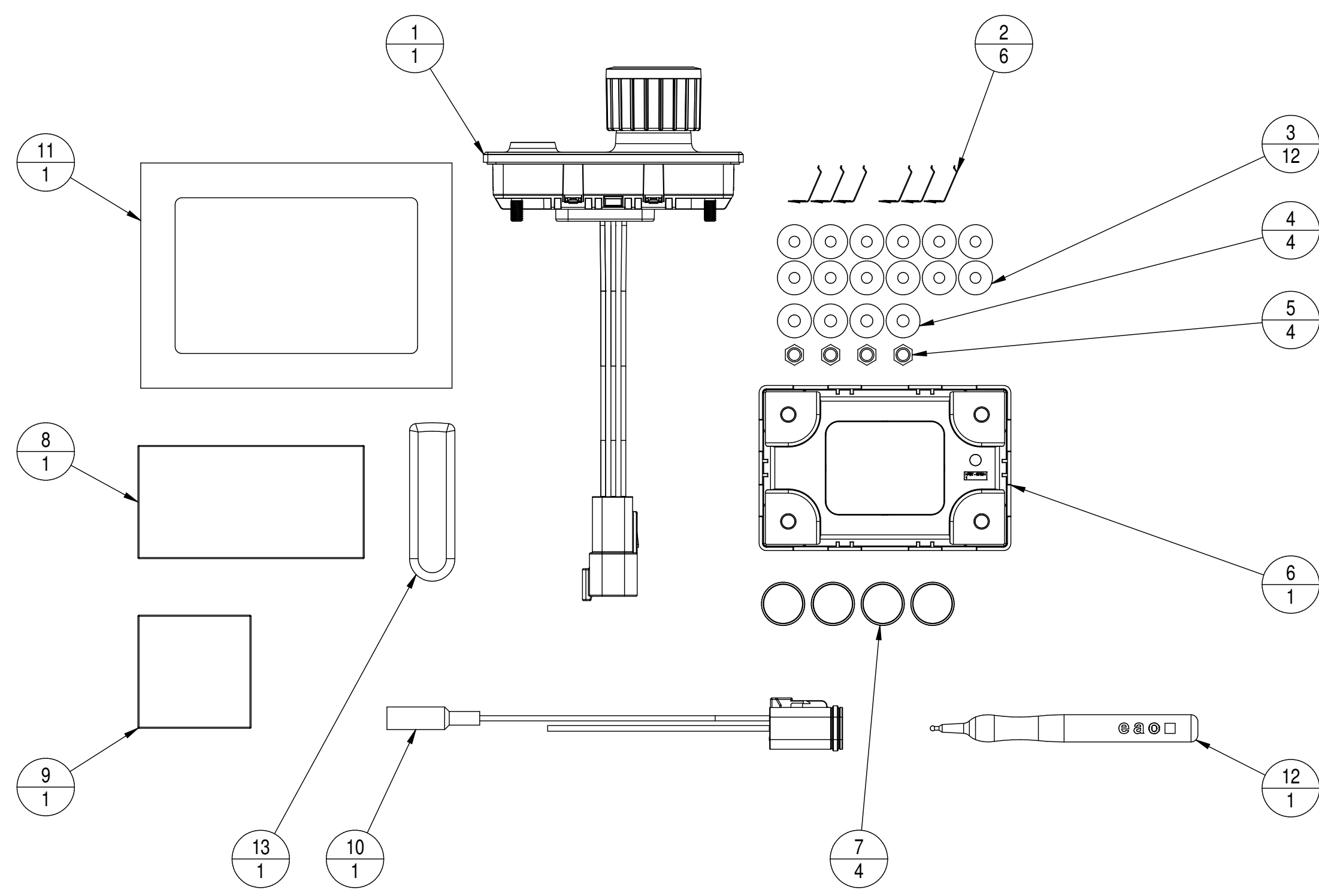
pos.	description	qty.	comment
1	CAN IP67 keypad; CANopen Safety - BS 10 s; Screw-in; LoadDump B; RGB	1	
2	retaining clip for 2 mm panel	6	
3	rubber washer 4,8x15x1	12	quantity depending on panel thickness: 1 mm: 0 per stud 2 mm: 1 per stud 3 mm: 2 per stud 4 mm: 3 per stud
4	washer DIN9021 stainless A2	4	
5	nut	4	
6	coupler	1	
7	symbol insert	10	graphical symbols: 1x 09-OS12.5005 acc. to IEC 60417 1x 09-OS12.5006 acc. to IEC 60417 1x 09-OS12.1388 acc. to DIN ISO 7000 1x 09-OS12.0244 acc. to DIN ISO 7000 1x 09-OS12.2810 acc. to DIN ISO 7000 1x 09-OS12.2811 acc. to DIN ISO 7000 1x 09-OS12.1387 acc. to DIN ISO 7000 1x 09-OS12.0085 acc. to DIN ISO 7000 2x 09-OS12.0251 acc. to DIN ISO 7000
8	power supply	1	
9	plug adapter	1	
10	adapter cable keypad	1	
11	mounting frame aluminium 2 mm	1	
12	insert tool	1	09-0A00.0001
13	USB-Stick	1	

© EAO - Automotive GmbH & Co. KG. Every technical drawing is the property of EAO. All rights reserved. No part of this document may be reproduced, stored in a retrieval system, or transmitted in any form or by any means, electronic, mechanical, photocopying, recording, or by any information storage and retrieval system, without the prior written permission of EAO. EAO is not responsible for any damage or loss of data resulting from the use of this document. EAO is not responsible for any damage or loss of data resulting from the use of this document. EAO is not responsible for any damage or loss of data resulting from the use of this document.

revision	zone	date	description	FBP-no.
01	-	10.01.2022	initial edition	1006
-	-	-	-	-
-	-	-	-	-
-	-	-	-	-
-	-	-	-	-

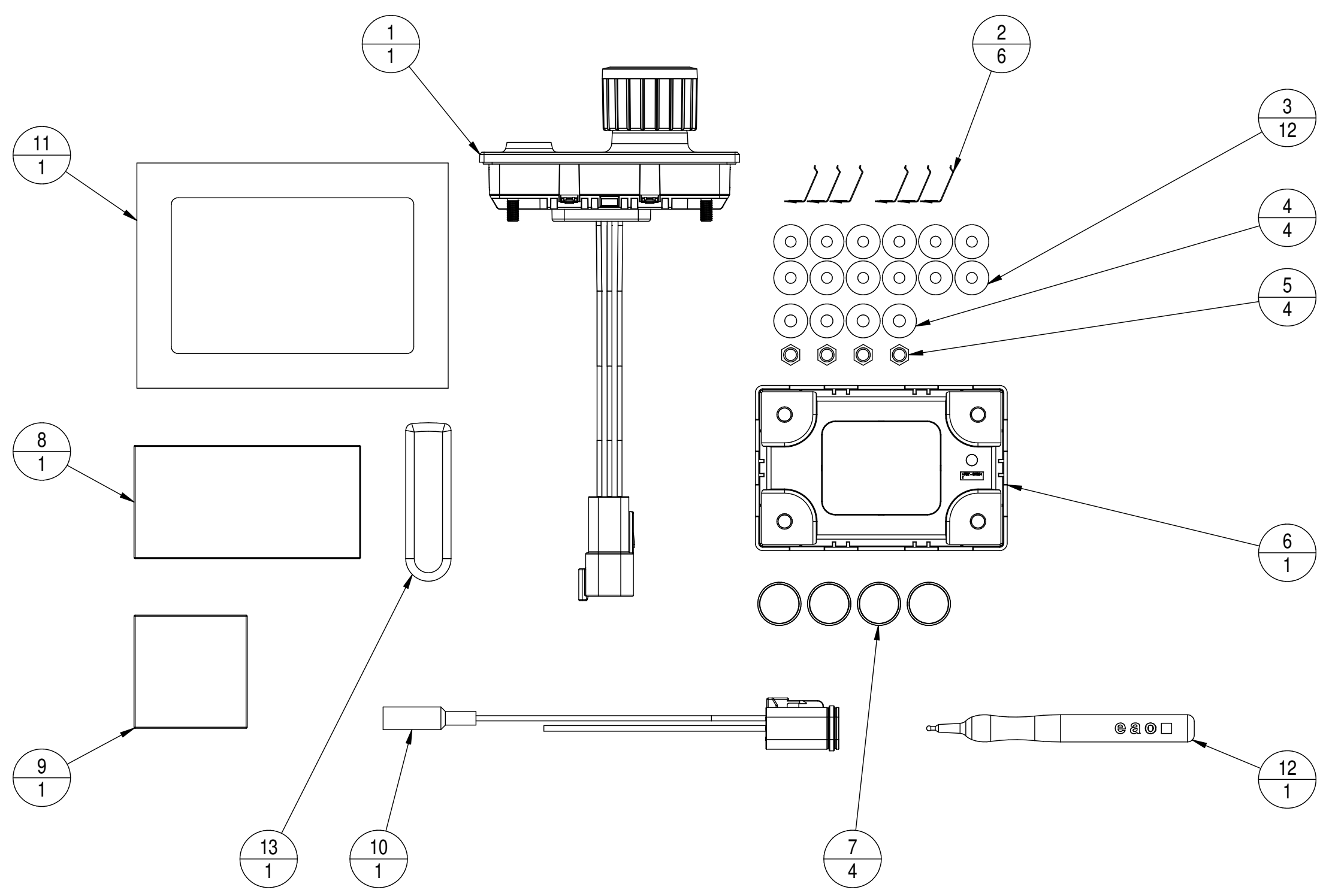
scope of delivery CAN RCC

RCC CANopen Design- in kit - 09-1A22.1111



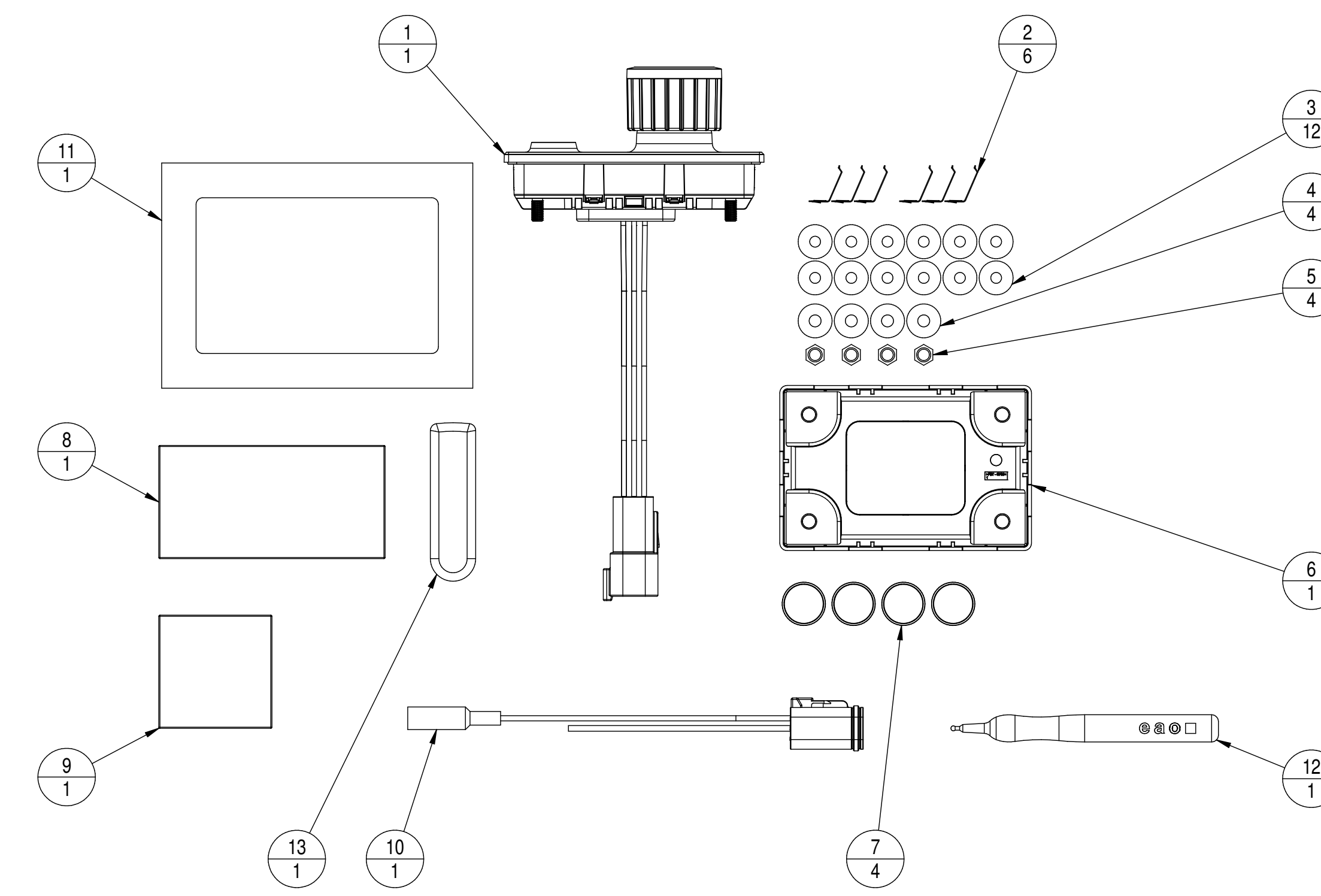
pos.	description	qty.	comment
1	CAN IP67 RCC; CANopen; Screw-in; LoadDump B; RGB	1	
2	retaining clip for 2 mm panel	6	
3	rubber washer 4,8x15x1	12	quantity depending on panel thickness: 1 mm: 0 per stud 2 mm: 1 per stud 3 mm: 2 per stud 4 mm: 3 per stud
4	washer DIN9021 stainless A2	4	
5	nut	4	
6	coupler	1	
7	symbol insert	4	graphical symbols: 1x 09-0S12.2810 acc. to DIN ISO 7000 1x 09-0S12.2811 acc. to DIN ISO 7000 2x 09-0S12.0251 acc. to DIN ISO 7000
8	power supply	1	
9	plug adapter	1	
10	adapter cable keypad	1	
11	mounting frame aluminium 2 mm	1	
12	insert tool	1	09-0A00.0001
13	USB-Stick	1	

RCC J1939 Design- in kit - 09-1A12.1111



pos.	description	qty.	comment
1	CAN IP67 RCC; J1939; Screw-in; LoadDump B; RGB	1	
2	retaining clip for 2 mm panel	6	
3	rubber washer 4,8x15x1	12	quantity depending on panel thickness: 1 mm: 0 per stud 2 mm: 1 per stud 3 mm: 2 per stud 4 mm: 3 per stud
4	washer DIN9021 stainless A2	4	
5	nut	4	
6	coupler	1	
7	symbol insert	4	graphical symbols: 1x 09-0S12.2810 acc. to DIN ISO 7000 1x 09-0S12.2811 acc. to DIN ISO 7000 2x 09-0S12.0251 acc. to DIN ISO 7000
8	power supply	1	
9	plug adapter	1	
10	adapter cable keypad	1	
11	mounting frame aluminium 2 mm	1	
12	insert tool	1	09-0A00.0001
13	USB-Stick	1	

RCC CANopen safety Design- in kit - 09-1A32.1111

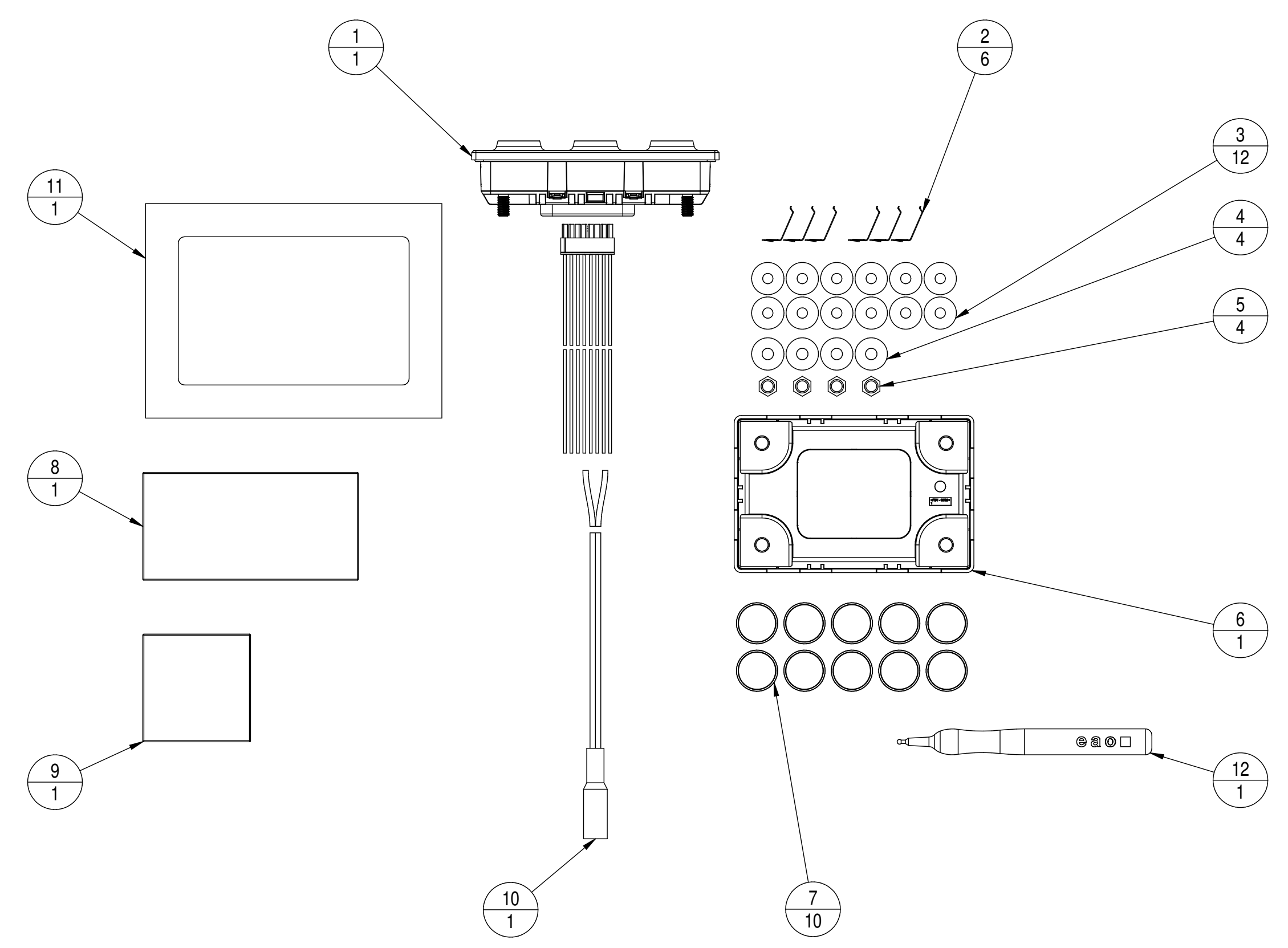


pos.	description	qty.	comment
1	CAN IP67 RCC; CANopen Safety - BS 10 s; Screw-in; LoadDump B; RGB	1	
2	retaining clip for 2 mm panel	6	
3	rubber washer 4,8x15x1	12	quantity depending on panel thickness: 1 mm: 0 per stud 2 mm: 1 per stud 3 mm: 2 per stud 4 mm: 3 per stud
4	washer DIN9021 stainless A2	4	
5	nut	4	
6	coupler	1	
7	symbol insert	4	graphical symbols: 1x 09-0S12.2810 acc. to DIN ISO 7000 1x 09-0S12.2811 acc. to DIN ISO 7000 2x 09-0S12.0251 acc. to DIN ISO 7000
8	power supply	1	
9	plug adapter	1	
10	adapter cable keypad	1	
11	mounting frame aluminium 2 mm	1	
12	insert tool	1	09-0A00.0001
13	USB-Stick	1	

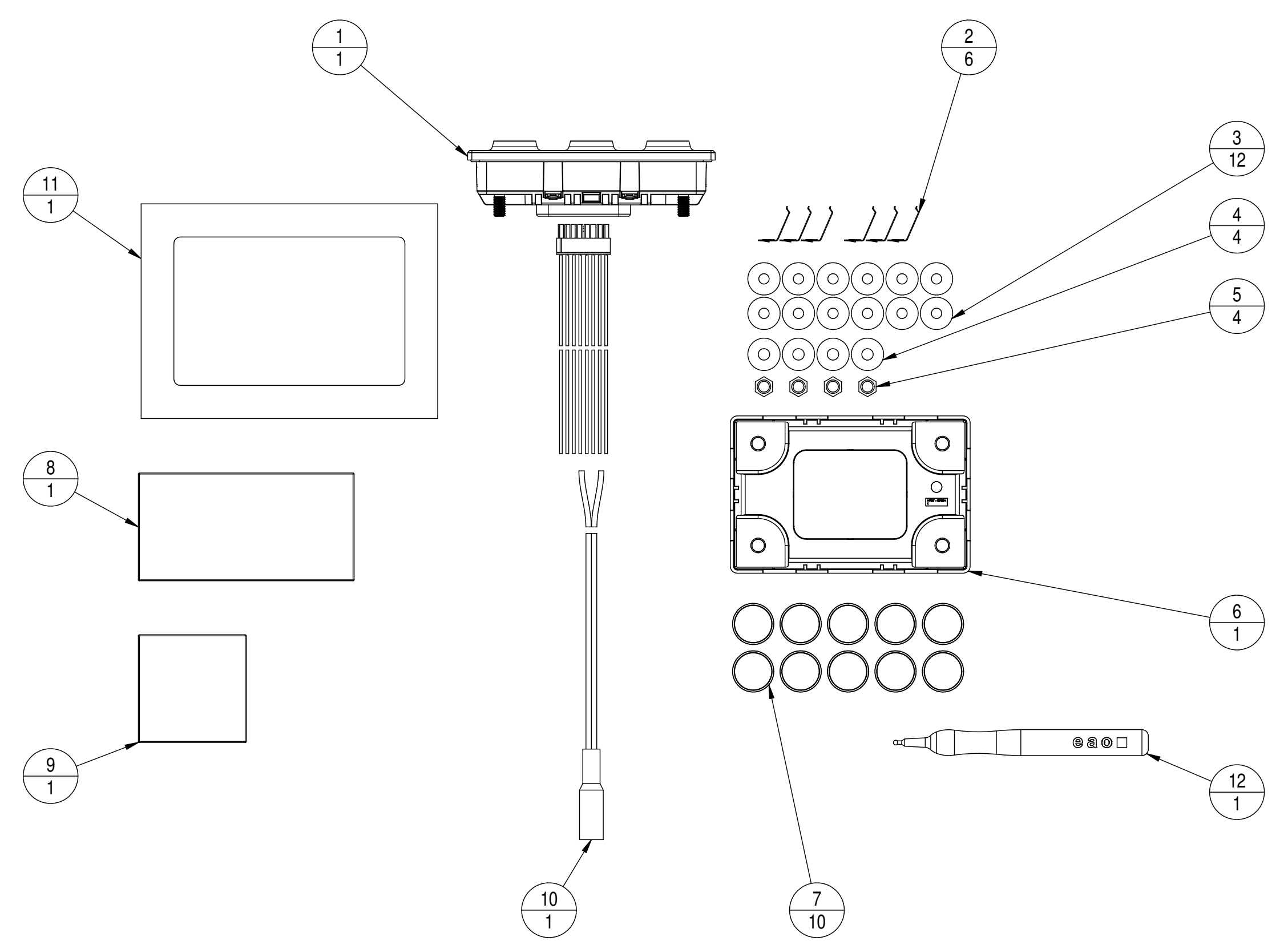
revision	zone	date	description	RP - no.
01	-	10.01.2022	initial edition	1026
-	-	-	-	-
-	-	-	-	-
-	-	-	-	-
-	-	-	-	-

scope of delivery hardwired keypad 12 V

Keypad Design-in kit 12V - 09-0A72.3132



Keypad Design-in kit 12V with Namur - 09-0A72.3152



Keypad Design-in kit 12V - 09-0A72.3132			
pos.	description	qty.	comment
1	CAN IP67 keypad; hardwired; Screw-in; 12V; LED red	1	
2	retaining clip for 2 mm panel	6	
3	rubber washer 4,8x15x1	12	quantity depending on panel thickness: 1 mm: 0 per stud 2 mm: 1 per stud 3 mm: 2 per stud 4 mm: 3 per stud
4	washer DIN9021 stainless A2	4	
5	nut	4	
6	coupler	1	
7	symbol insert	10	graphical symbols: 1x 09-OS12.5005 acc. to IEC 60417 1x 09-OS12.5006 acc. to IEC 60417 1x 09-OS12.1388 acc. to DIN ISO 7000 1x 09-OS12.0244 acc. to DIN ISO 7000 1x 09-OS12.2810 acc. to DIN ISO 7000 1x 09-OS12.2811 acc. to DIN ISO 7000 1x 09-OS12.1387 acc. to DIN ISO 7000 1x 09-OS12.0085 acc. to DIN ISO 7000 2x 09-OS12.0251 acc. to DIN ISO 7000
8	power supply	1	
9	plug adapter	1	
10	adapter cable keypad	1	
11	mounting frame aluminium 2 mm	1	
12	insert tool	1	09-0A00.0001

Keypad Design-in kit 12V with Namur - 09-0A72.3152			
pos.	description	qty.	comment
1	CAN IP67 keypad; hardwired; Screw-in; 12V with Namur; LED red	1	
2	retaining clip for 2 mm panel	6	
3	rubber washer 4,8x15x1	12	quantity depending on panel thickness: 1 mm: 0 per stud 2 mm: 1 per stud 3 mm: 2 per stud 4 mm: 3 per stud
4	washer DIN9021 stainless A2	4	
5	nut	4	
6	coupler	1	
7	symbol insert	10	graphical symbols: 1x 09-OS12.5005 acc. to IEC 60417 1x 09-OS12.5006 acc. to IEC 60417 1x 09-OS12.1388 acc. to DIN ISO 7000 1x 09-OS12.0244 acc. to DIN ISO 7000 1x 09-OS12.2810 acc. to DIN ISO 7000 1x 09-OS12.2811 acc. to DIN ISO 7000 1x 09-OS12.1387 acc. to DIN ISO 7000 1x 09-OS12.0085 acc. to DIN ISO 7000 2x 09-OS12.0251 acc. to DIN ISO 7000
8	power supply	1	
9	plug adapter	1	
10	adapter cable keypad	1	
11	mounting frame aluminium 2 mm	1	
12	insert tool	1	09-0A00.0001

© EAO - Automotive GmbH & Co. KG. Alle Rechte vorbehalten. Die Verantwortung für die Verwendung der Bauteile in elektronischen Systemen liegt bei dem Anwender. EAO übernimmt keine Haftung für Schäden, die durch die Verwendung der Bauteile in elektronischen Systemen entstehen. Die Bauteile sind für den Einsatz in elektronischen Systemen vorgesehen. Die Bauteile sind für den Einsatz in elektronischen Systemen vorgesehen. Die Bauteile sind für den Einsatz in elektronischen Systemen vorgesehen.

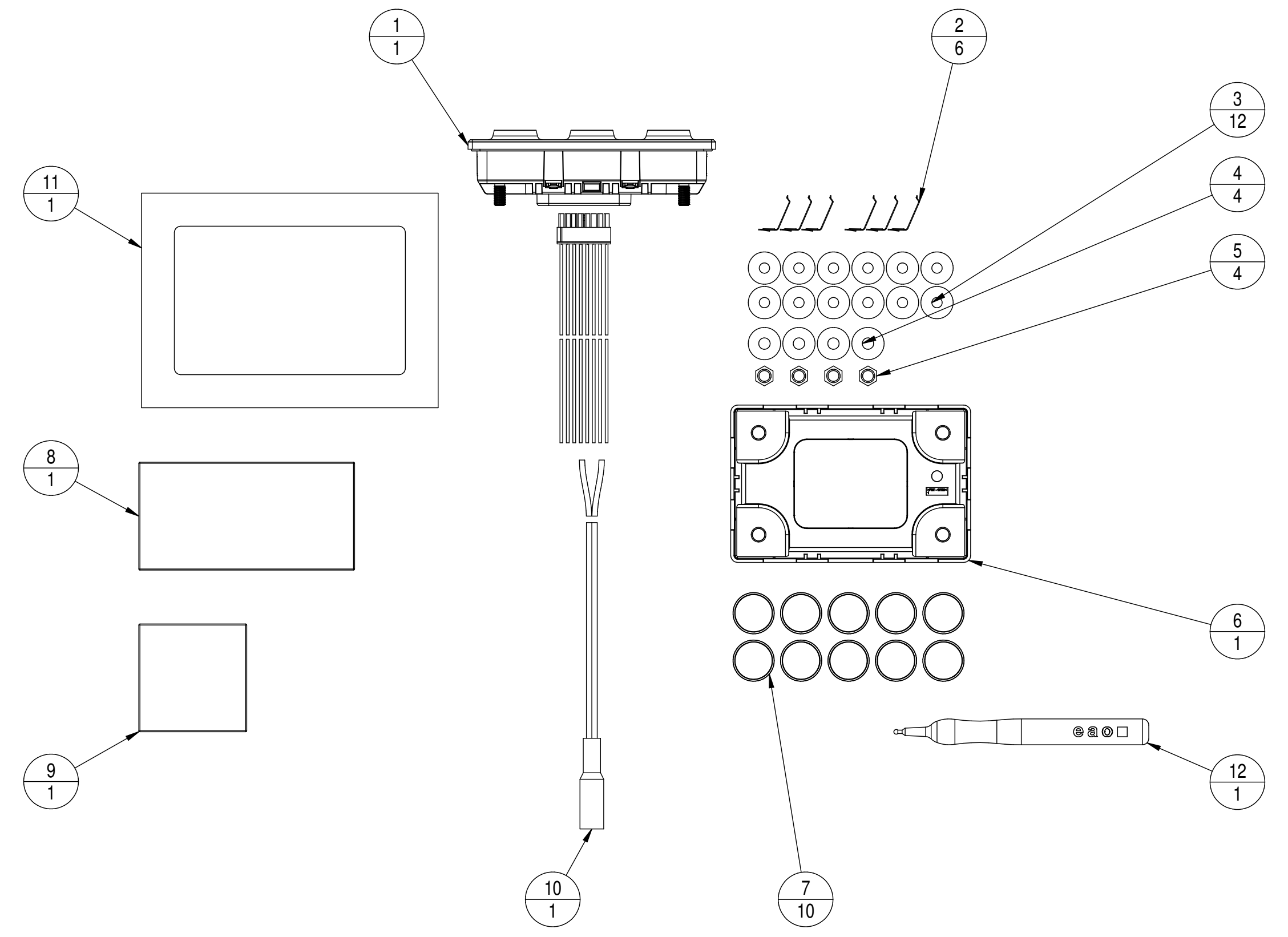
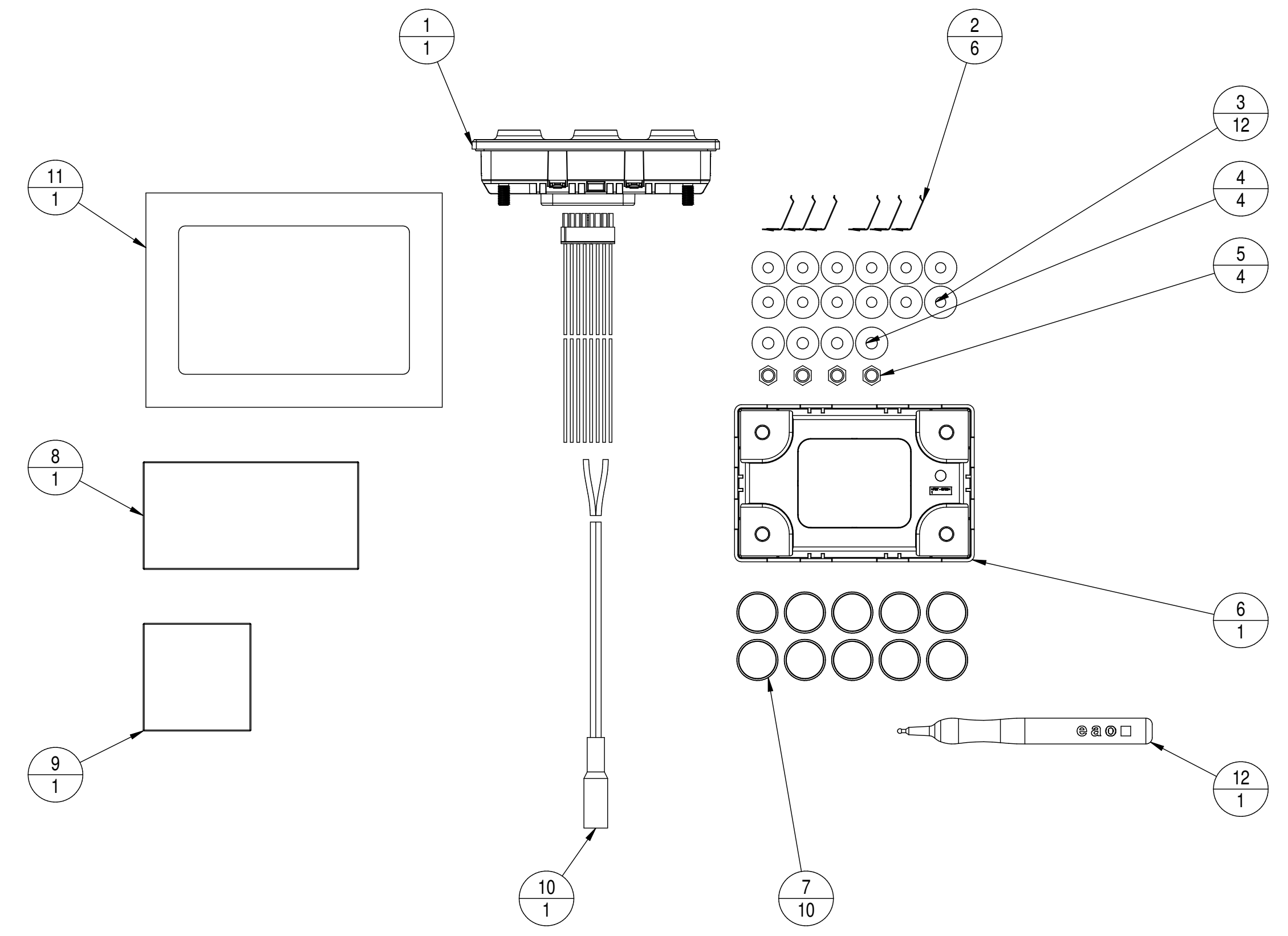
description		S09 outdoor Design-In Kits		drawing no.	2002940001	revision	01
		scale	1:2	format	A1	weight	-
<small>EAO Automotive GmbH & Co. KG Richard-Wagner-Straße 3 08209 Auerbach GERMANY</small>		1st angle projection	product information		status		
all dimensions are in millimeters		date	10.01.2022	name	EBJ	sheet no.	4/9
approved		date	17.01.2022	name	SCR		

revision	zone	date	initial edition	description	RP - no.
01	-	10.01.2022	initial edition		1026
-	-	-	-	-	-
-	-	-	-	-	-
-	-	-	-	-	-
-	-	-	-	-	-
-	-	-	-	-	-

scope of delivery hardwired keypad 24 V

Keypad Design-in kit 24V - 09-0A72.3142

Keypad Design-in kit 24V with Namur - 09-0A72.3162



Keypad Design-in kit 24V - 09-0A72.3142			
pos.	description	qty.	comment
1	CAN IP67 keypad; hardwired; Screw-in; 24V; LED red	1	
2	retaining clip for 2 mm panel	6	
3	rubber washer 4,8x15x1	12	quantity depending on panel thickness: 1 mm: 0 per stud 2 mm: 1 per stud 3 mm: 2 per stud 4 mm: 3 per stud
4	washer DIN9021 stainless A2	4	
5	nut	4	
6	coupler	1	
7	symbol insert	10	graphical symbols: 1x 09-0S12.5005 acc. to IEC 60417 1x 09-0S12.5006 acc. to IEC 60417 1x 09-0S12.1388 acc. to DIN ISO 7000 1x 09-0S12.0244 acc. to DIN ISO 7000 1x 09-0S12.2810 acc. to DIN ISO 7000 1x 09-0S12.2811 acc. to DIN ISO 7000 1x 09-0S12.1387 acc. to DIN ISO 7000 1x 09-0S12.0085 acc. to DIN ISO 7000 2x 09-0S12.0251 acc. to DIN ISO 7000
8	power supply	1	
9	plug adapter	1	
10	adapter cable keypad	1	
11	mounting frame aluminium 2 mm	1	
12	insert tool	1	09-0A00.0001

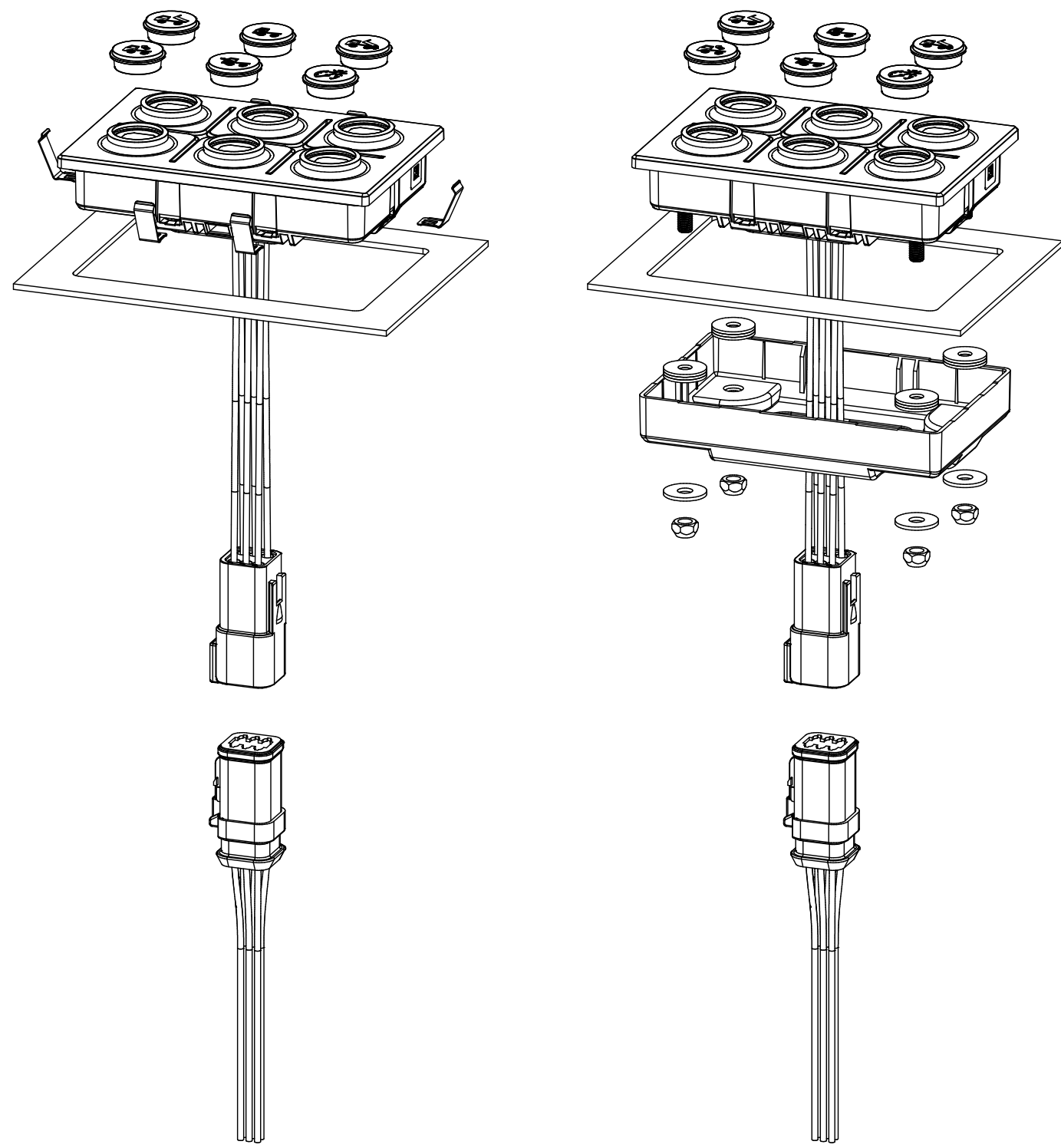
Keypad Design-in kit 24V with Namur - 09-0A72.3162			
pos.	description	qty.	comment
1	CAN IP67 keypad; hardwired; Screw-in; 24V with Namur; LED red	1	
2	retaining clip for 2 mm panel	6	
3	rubber washer 4,8x15x1	12	quantity depending on panel thickness: 1 mm: 0 per stud 2 mm: 1 per stud 3 mm: 2 per stud 4 mm: 3 per stud
4	washer DIN9021 stainless A2	4	
5	nut	4	
6	coupler	1	
7	symbol insert	10	graphical symbols: 1x 09-0S12.5005 acc. to IEC 60417 1x 09-0S12.5006 acc. to IEC 60417 1x 09-0S12.1388 acc. to DIN ISO 7000 1x 09-0S12.0244 acc. to DIN ISO 7000 1x 09-0S12.2810 acc. to DIN ISO 7000 1x 09-0S12.2811 acc. to DIN ISO 7000 1x 09-0S12.1387 acc. to DIN ISO 7000 1x 09-0S12.0085 acc. to DIN ISO 7000 2x 09-0S12.0251 acc. to DIN ISO 7000
8	power supply	1	
9	plug adapter	1	
10	adapter cable keypad	1	
11	mounting frame aluminium 2 mm	1	
12	insert tool	1	09-0A00.0001

© EAO - Automotive GmbH & Co. KG. Alle Rechte vorbehalten. Die Verantwortung für die Verwendung der Bauteile in elektronischen Systemen liegt ausschließlich bei dem Anwender. EAO, EAO-Logo, EAO-Name & Co. sind eingetragte Marken. EAO-Produkte sind ausschließlich für den Einsatz in Kraftfahrzeugen und deren Zubehör vorgesehen.

description		S09 outdoor Design-In Kits		drawing no.	2002940001	revision	01
		scale	1:2	format	A1	weight	-
<small>EAO Automotive GmbH & Co. KG Richard-Wagner-Straße 3 08209 Auerbach GERMANY</small>		document type	product information		status		
1st angle projection		all dimensions are in millimeters		only for information			
date		10.01.2022	name	EBJ	sheet no.	5/9	
approved		17.01.2022	SCR				


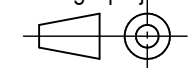
mounting specifications assembly CAN IP67 KEYPADS

exemplary representation of the symbols



mounting and demounting of the symbol inserts with insert tool 09-0A00.0001

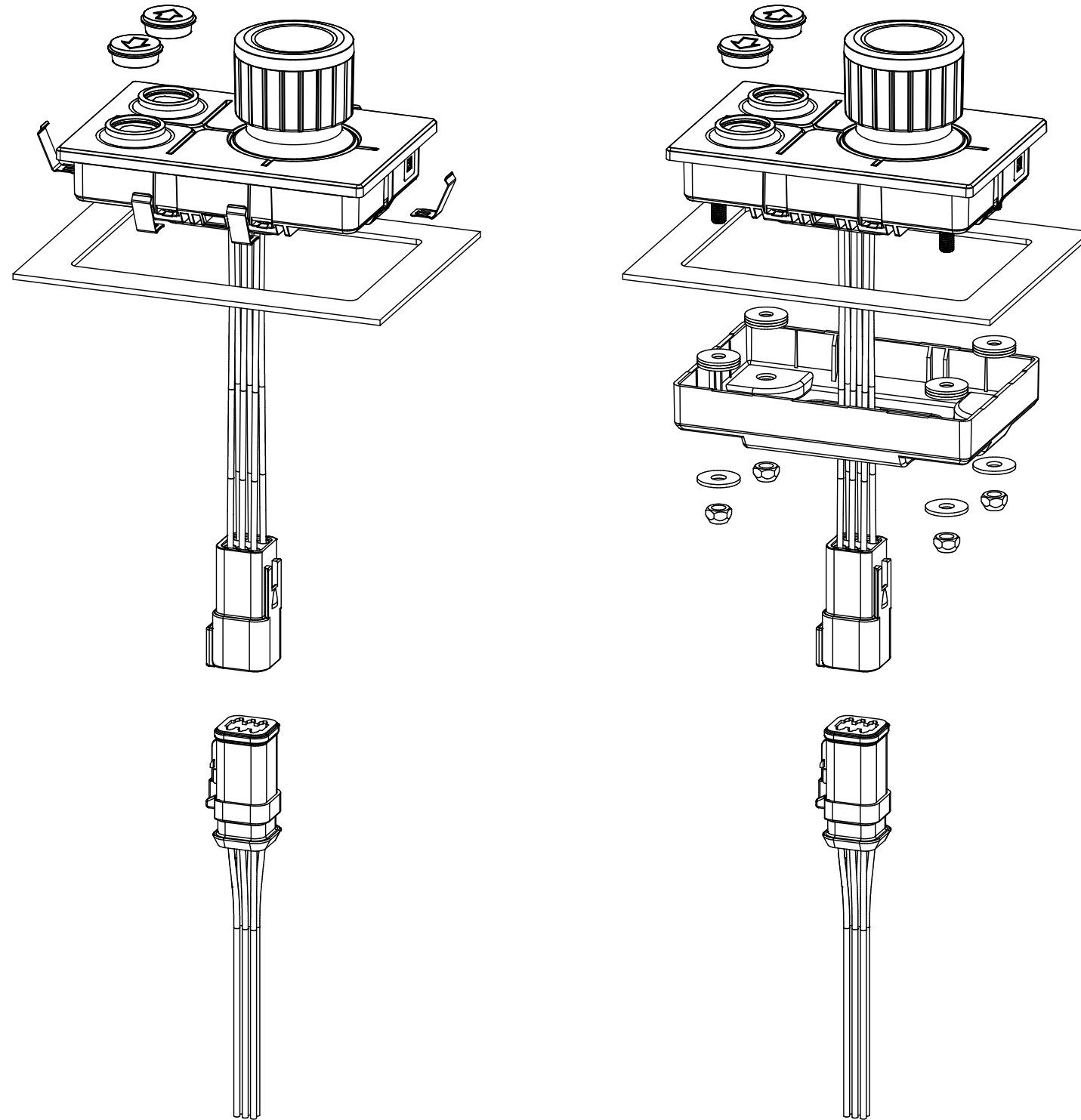
revision	zone	date	description	RP - no.
01	-	10.01.2022	initial edition	1026
-	-	-	-	-
-	-	-	-	-
-	-	-	-	-
-	-	-	-	-

description				S09 outdoor Design-In Kits		drawing no.	2002940001	revision	01	
eao 				scale	1:2	format	A 3	weight	-	
EAO Automotive GmbH & Co. KG Richard-Wagner-Straße 3 08209 Auerbach GERMANY				document type	product information		status only for information			
1st angle projection 				all dimensions are in millimeters			date	10.01.2022	name	EBJ
				drawn	10.01.2022	approved	17.01.2022	name	SCR	
							sheet no.		6/9	

© EAO - Automotive GmbH & Co. KG
Streng vertraulich. Alle Rechte ausdrücklich vorbehalten. Die Vervielfältigung und insbesondere die Verarbeitung in elektronischen Systemen ist ohne schriftliche Genehmigung der EAO - Automotive GmbH & Co. KG nicht gestattet.
Strictly confidential. All rights strictly reserved. Reproduction and processing of data in electronic systems or in any form whatever is not permitted without written authority of EAO - Automotive GmbH & Co. KG.


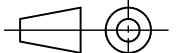
mounting specifications assembly CAN IP67 RCC

exemplary representation of the symbols



mounting and demounting of the symbol inserts with insert tool 09-0A00.0001

revision	zone	date	description	RP - no.
01	-	10.01.2022	initial edition	1026
-	-	-	-	-
-	-	-	-	-
-	-	-	-	-
-	-	-	-	-

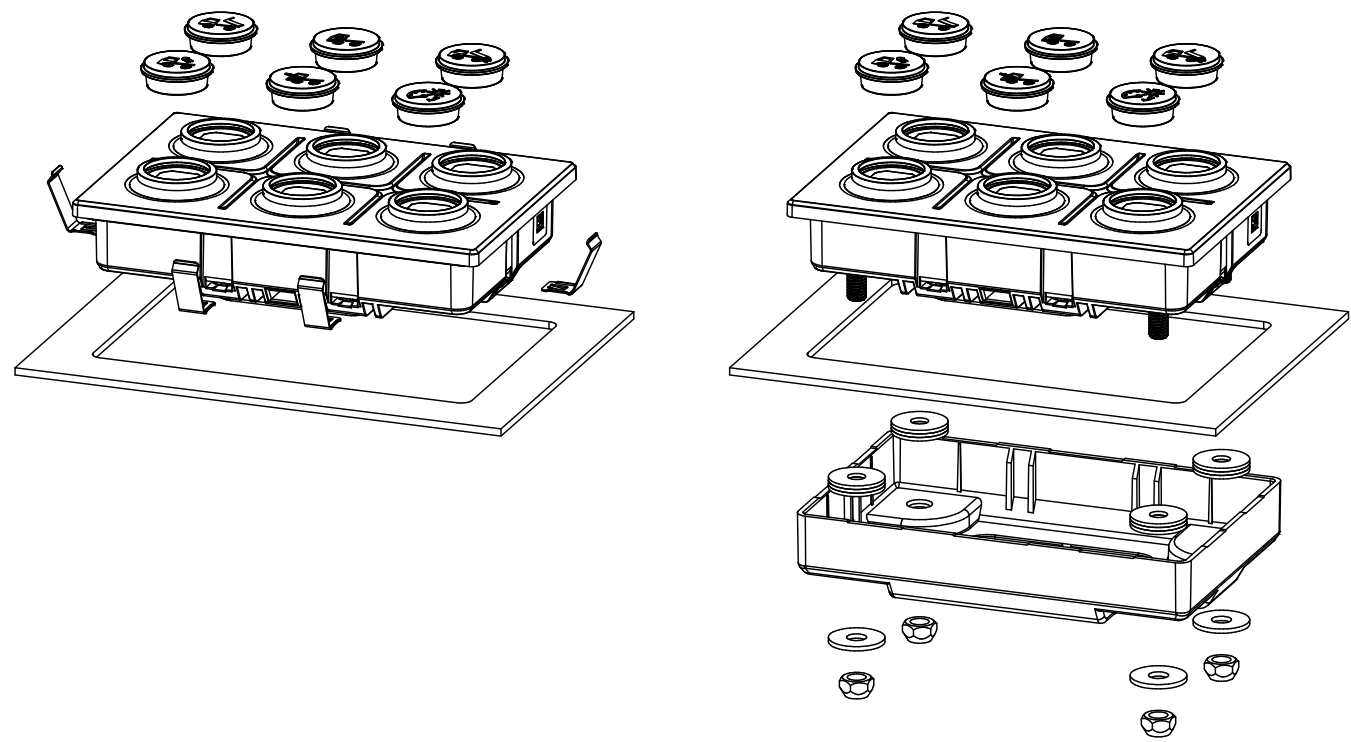
description				S09 outdoor Design-In Kits		drawing no.	2002940001	revision	01	
eao 				scale	1:2	format	A3	weight	-	
EAO Automotive GmbH & Co. KG Richard-Wagner-Straße 3 08209 Auerbach GERMANY				document type	product information		status only for information			
1st angle projection 				all dimensions are in millimeters			date	10.01.2022	name	EBJ
				drawn	10.01.2022	approved	17.01.2022	name	SCR	
							sheet no.	7/9		

© EAO - Automotive GmbH & Co. KG
 Strenge vertraulich. Alle Rechte ausdrücklich vorbehalten. Die Vervielfältigung und insbesondere die Verarbeitung in elektronischen Systemen ist ohne schriftliche Genehmigung der EAO - Automotive GmbH & Co. KG nicht gestattet.
 Strictly confidential. All rights strictly reserved. Reproduction and processing of data in electronic systems or in any form whatever is not permitted without written authority of EAO - Automotive GmbH & Co. KG.


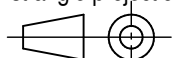
revision	zone	date	description		RP - no.
01	-	10.01.2022	initial edition		1026
-	-	-	-		-
-	-	-	-		-
-	-	-	-		-
-	-	-	-		-

mounting specifications assembly hardwired IP67 KEYPADS

exemplary representation of the symbols

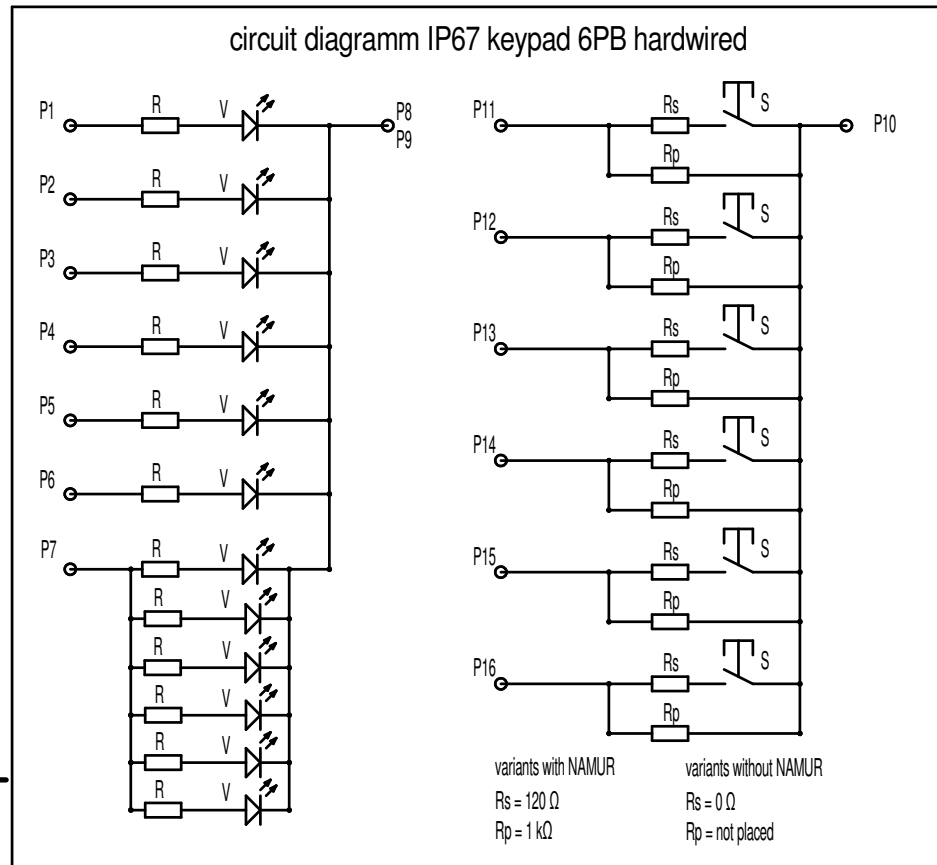


mounting and demounting of the symbol inserts with insert tool 09-0A00.0001

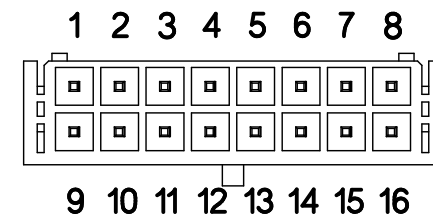
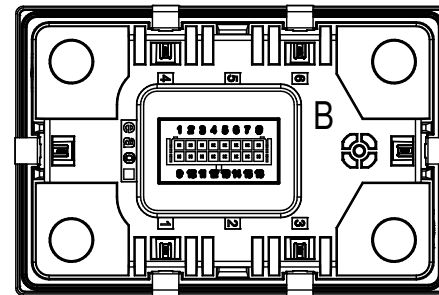
description				S09 outdoor Design-In Kits		drawing no.	2002940001		revision	01		
eao 				scale	1:2	format	A 3		weight	-		
EAO Automotive GmbH & Co. KG Richard-Wagner-Straße 3 08209 Auerbach GERMANY				document type	product information		status		only for information			
1st angle projection				all dimensions are in millimeters		date	10.01.2022	name	EBJ		sheet no.	8/9
				drawn	17.01.2022		approved	SCR				

circuit diagrams - electrical connection

revision	zone	date	description	RP - no.
01	-	10.01.2022	initial edition	1026
-	-	-	-	-
-	-	-	-	-
-	-	-	-	-
-	-	-	-	-

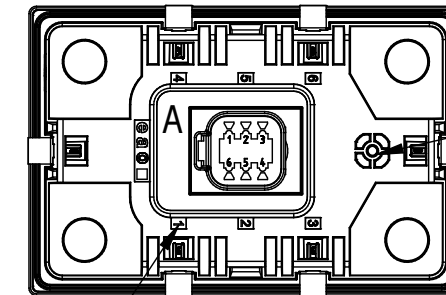


hardwired IP67 keypads

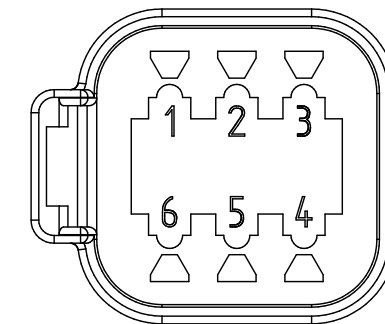


detail B
2:1

CAN IP67 keypads and RCC



pushbutton number



detail A
2:1

connections WR-MPC3 16		
mating plug: Wuerth 662 016 113 322		
pin no.	signal	comment
pin 1	supply voltage haloring button 1	12 VDC or 24 VDC **
pin 2	supply voltage haloring button 2	12 VDC or 24 VDC **
pin 3	supply voltage haloring button 3	12 VDC or 24 VDC **
pin 4	supply voltage haloring button 4	12 VDC or 24 VDC **
pin 5	supply voltage haloring button 5	12 VDC or 24 VDC **
pin 6	supply voltage haloring button 6	12 VDC or 24 VDC **
pin 7	supply voltage symbol lighting	12 VDC or 24 VDC **
pin 8	GND lighting	
pin 9	GND lighting	
pin 10	common potential buttons	
pin 11	signal button 1	max. current 30 mA
pin 12	signal button 2	max. current 30 mA
pin 13	signal button 3	max. current 30 mA
pin 14	signal button 4	max. current 30 mA
pin 15	signal button 5	max. current 30 mA
pin 16	signal button 6	max. current 30 mA

** depending on purchased variant

connections 6 - DT (DT04-6P)			
mating plug: Deutsch DT06-6S			
matching contacts: e.g. 1062-16-0122			
matching wedge: W6-S			
pin no.	signal	wire	comment
pin 1	GND	black	
pin 2	CAN High	yellow	
pin 3	WakeUp Out	grey	
pin 4	WakeUp In	blue	
pin 5	CAN Low	green	
pin 6	Vcc	red	8 - 32 VDC

description				drawing no.	revision
S09 outdoor Design-In Kits				2002940001	01
 EAO Automotive GmbH & Co. KG Richard-Wagner-Straße 3 08209 Auerbach GERMANY	scale	format	weight	document type	
	1:1	A 3	-	product information	
1st angle projection			all dimensions are in millimeters		status
					only for information
		date	name	sheet no.	
		10.01.2022	EBJ	9/9	
		approved	17.01.2022	SCR	