

4

3

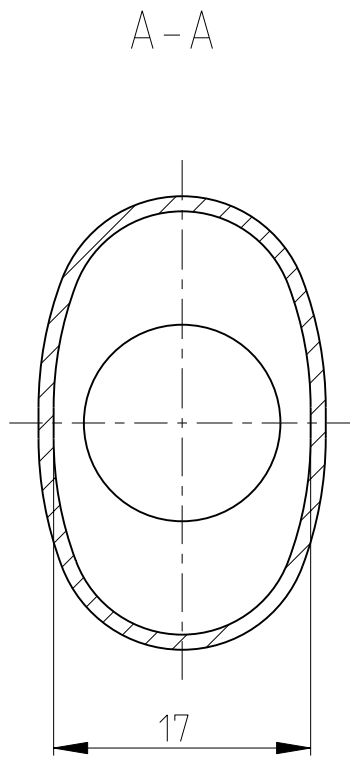
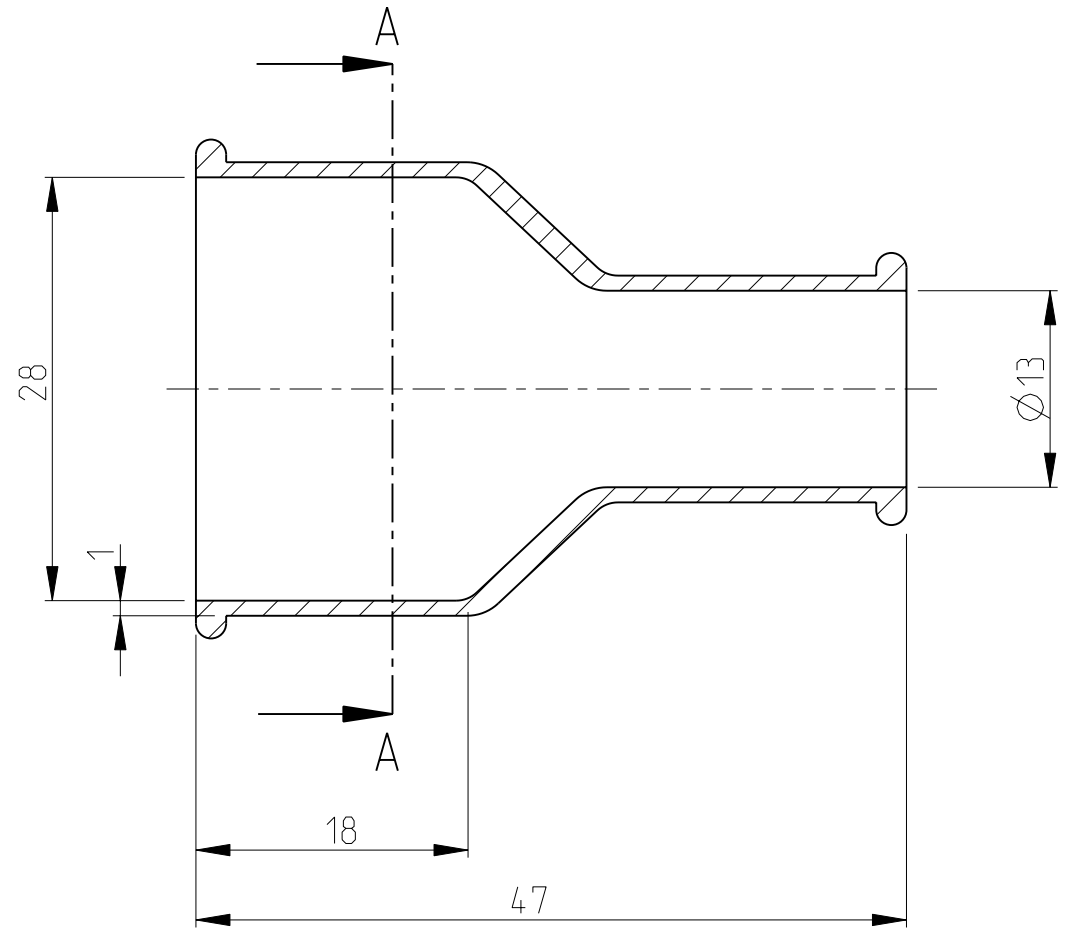
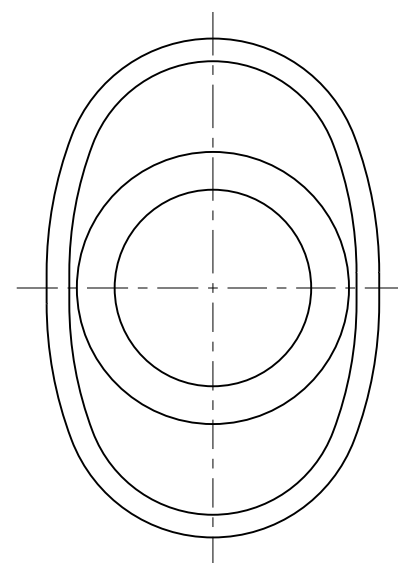
2

1

THIS DRAWING IS UNPUBLISHED. RELEASED FOR PUBLICATION 2008

© COPYRIGHT 2008 BY TYCO ELECTRONICS CORPORATION. ALL RIGHTS RESERVED.

LOC	DIST	REVISIONS			
P	LTR	DESCRIPTION	DATE	DWN	APVD
A1	-				
	A2	CAD-Zeichung, Blatt 2 hinzu	11MAY1994	Garc.	-
	A3	DRAWING UPDATED	10DEC2008	Haas	Stre.



925311-1	A	Weichgummi SOFT RUBBER	BLACK
PART NUMBER	REV	MATERIAL	COLOR

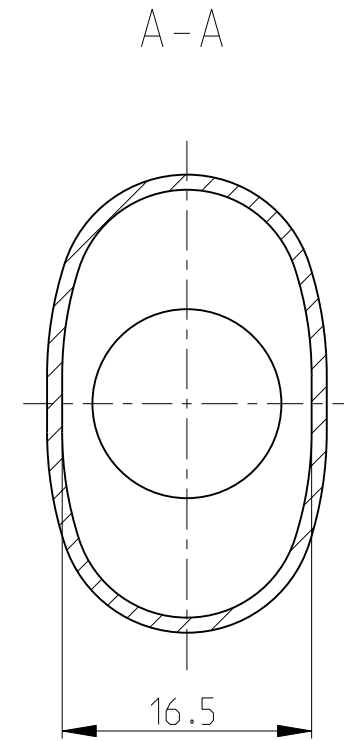
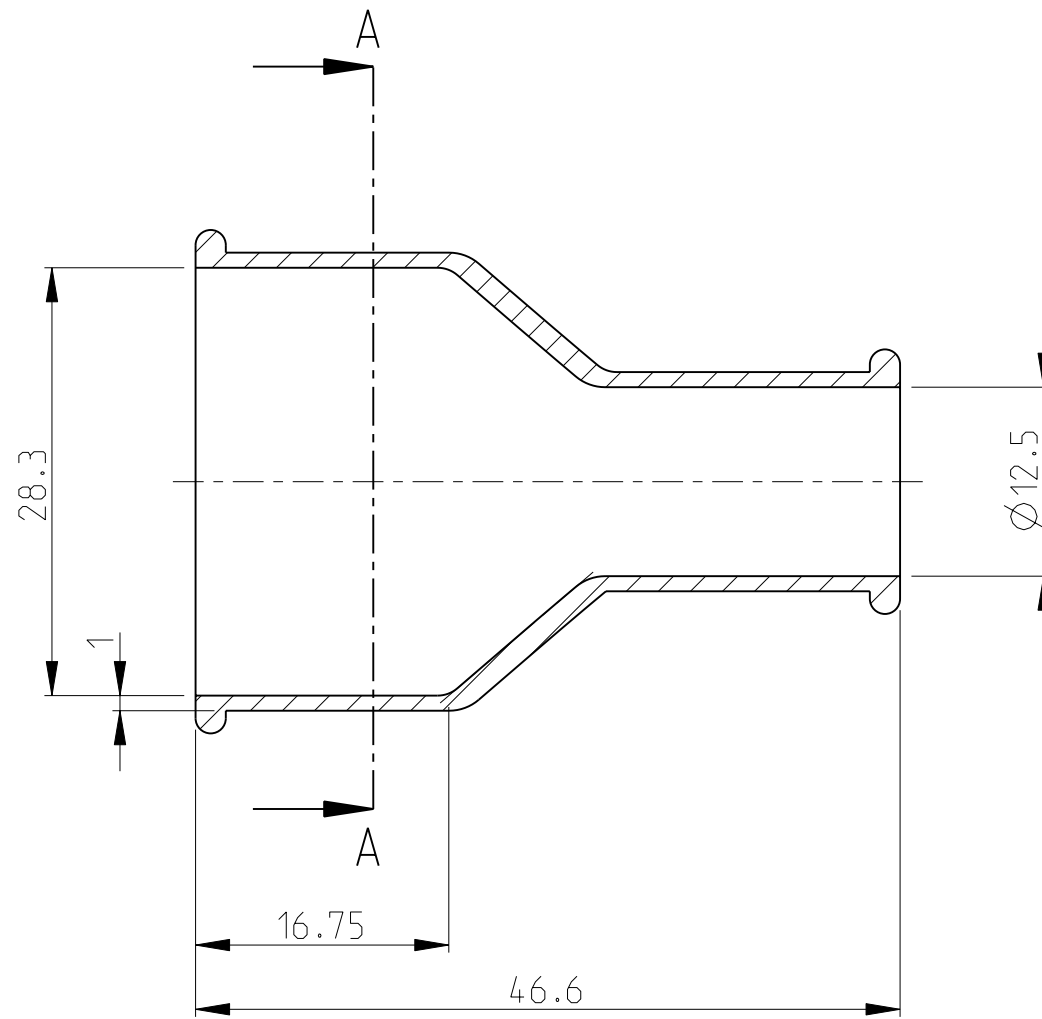
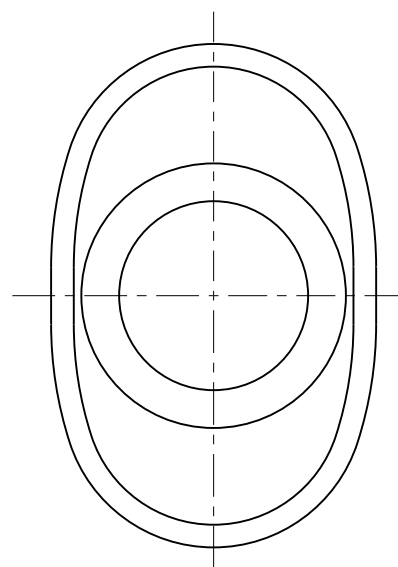
THIS DRAWING IS A CONTROLLED DOCUMENT FOR TYCO ELECTRONICS CORPORATION  
IT IS SUBJECT TO CHANGE AND THE CONTROLLING ENGINEERING ORGANIZATION  
SHOULD BE CONTACTED FOR THE LATEST REVISION.

DIMENSIONS: mm	TOLERANCES UNLESS OTHERWISE SPECIFIED: ±0.5mm
	0 PLC ±- 1 PLC ±- 2 PLC ±- 3 PLC ±- 4 PLC ±- ANGLES ±- FINISH -
MATERIAL SEE TABLE	

DWN Garcia.S. 11MAY1994	Tyco Electronics AMP GmbH 64625 Bensheim (Germany)
CHK Wending.H. 11MAY1994	
APVD Bleicher.M. 10DEC2008	
PRODUCT SPEC -	NAME BUSHING Leitungstuelle
APPLICATION SPEC -	SIZE A3 CAGE CODE 00779 DRAWING NO. 925311 RESTRICTED TO -
WEIGHT -	CUSTOMER DRAWING SCALE 2:1 SHEET 1 OF 2 REV A3

THIS DRAWING IS UNPUBLISHED. RELEASED FOR PUBLICATION 2008  
 © COPYRIGHT 2008 BY TYCO ELECTRONICS CORPORATION. ALL RIGHTS RESERVED.

LOC	DIST	REVISIONS			
P	LTR	DESCRIPTION	DATE	DWN	APVD
A1	-	SEE SHEET 1	-	-	-



925311-2	A	EPDM	BLACK
PART NUMBER	REV	MATERIAL	COLOR

THIS DRAWING IS A CONTROLLED DOCUMENT FOR TYCO ELECTRONICS CORPORATION  
 IT IS SUBJECT TO CHANGE AND THE CONTROLLING ENGINEERING ORGANIZATION  
 SHOULD BE CONTACTED FOR THE LATEST REVISION.

DIMENSIONS: mm	TOLERANCES UNLESS OTHERWISE SPECIFIED: ±0.5mm
	0 PLC ±- 1 PLC ±- 2 PLC ±- 3 PLC ±- 4 PLC ±- ANGLES ±- FINISH -
MATERIAL SEE TABLE	

DWN Garcia.S. 11MAY1994	Tyco Electronics AMP GmbH 64625 Bensheim (Germany)
CHK Wending.H. 11MAY1994	
APVD Bleicher.M. 10DEC2008	
NAME	BUSHING Leitungstuelle
PRODUCT SPEC	-
APPLICATION SPEC	-
WEIGHT	-
SIZE A3	CAGE CODE 00779
DRAWING NO	©=925311
CUSTOMER DRAWING	RESTRICTED TO -
SCALE 2:1	SHEET 2 OF 2
REV A3	