

注記 1. 材質
NOTES MATERIAL

ハウジング: PA, ガラス充填, 灰色, UL94V-0
HOUSING: PA, GLASS FILLED, GRAY, UL94V-0
ターミナル: 銅合金 (t=0.2)
TERMINAL: COPPER ALLOY (t=0.2)
シールドケース: 銅合金 (t=0.4)
SHIELD CASE: COPPER ALLOY (t=0.4)
カバーテープ: ポリイミド (t=0.08)
COVER TAPE: POLYIMIDE (t=0.08)

2. ヌッキ仕様

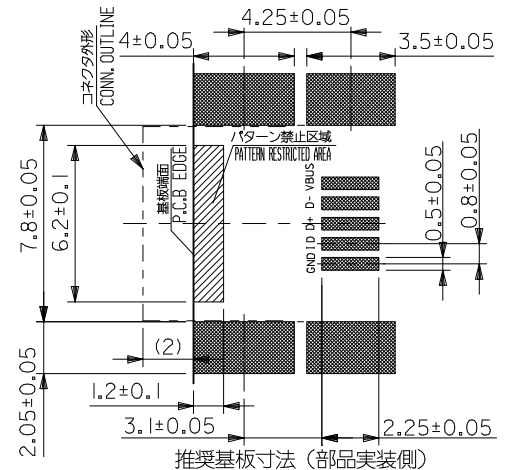
PLATING
ターミナル
TERMINAL
接点部: 金メッキ 0.76MICRO METER MIN.
CONTACT AREA: GOLD 0.76MICRO METER MINIMUM.
半田付け部: 錫メッキ 1.0MICRO METER MIN.
SOLDER TAIL AREA: TIN 1.0MICRO METER MINIMUM.
下地部: ニッケルメッキ 4.0MICRO METER MIN.
UNDER PLATING: NICKEL 4.0MICRO METER MINIMUM.
シールドケース
SHIELD CASE
: 錫メッキ 1.0MICRO METER MIN.
: TIN 1.0MICRO METER MINIMUM.
下地部: ニッケルメッキ 4.0MICRO METER MIN.
UNDER PLATING: NICKEL 4.0MICRO METER MINIMUM.

3. テール、ネール平坦度は0.1mm MAX.

TAIL, NAIL COPLANARITY 0.1mm MAX.

4. 本製品は56579-0571の鉛フリー品である。

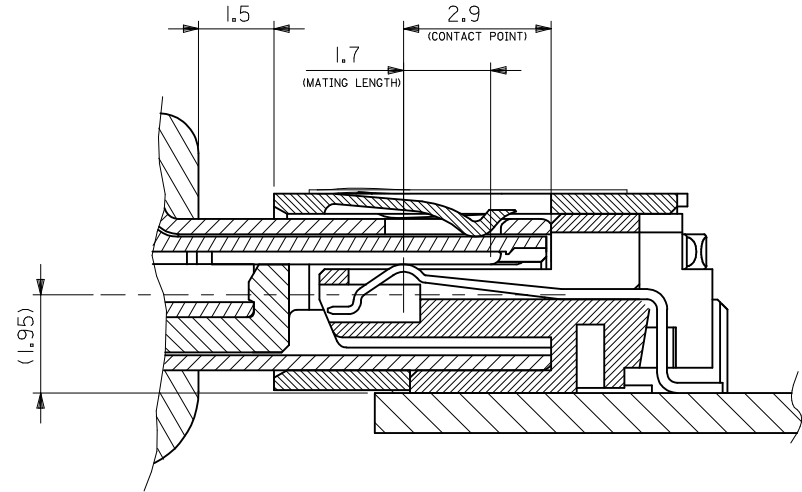
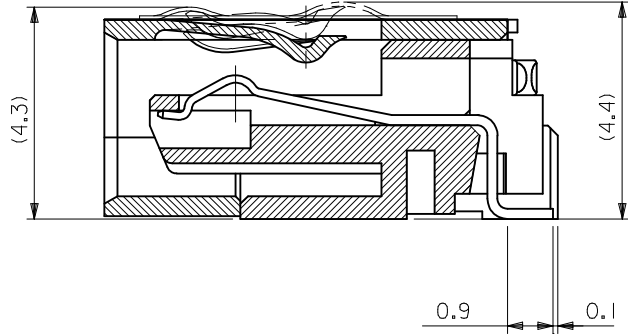
THIS PRODUCT IS LEAD FREE OF 56579-0571.



推奨基板寸法 (部品実装側)
RECOMMENDED P.C.B. PATTERN LAYOUT (PART MOUNT SIDE)

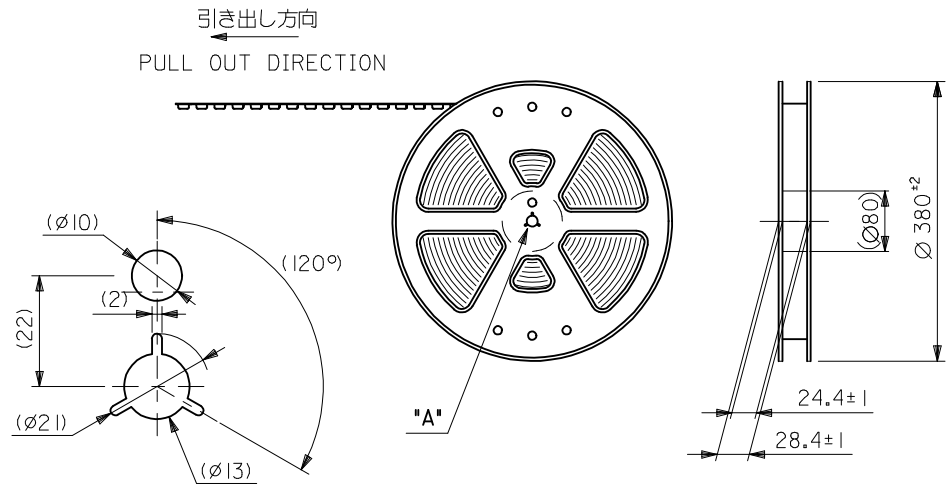
56579-0576	56579-0579
EMBOSSSED TAPE	MATERIAL No.
ORDER No.	
MODEL No.56579-**-79	

REVISED EC NO: J2009-1533 DRW: NESATO 2009/06/25 CHKD: MATSUMOTO 2009/06/25 APPR: NUKITA 2009/06/25 REV A	DESCRIPTION GENERAL TOLERANCES (UNLESS SPECIFIED) 10 UNDER ±0.2 10 OVER 30 UNDER ±0.25 30 OVER ±0.3 ANGULAR ±3 ° DRAFT WHERE APPLICABLE MUST REMAIN WITHIN DIMENSIONS	DIMENSION STYLE MM ONLY	SCALE 10:1	DESIGN UNITS METRIC	THIRD ANGLE PROJECTION		
		DRAWN BY M. NAGATA	DATE 2004/05/17	TITLE USB SERIES MINI-AB RECH.S'G ASS'Y(SMT) -LEAD FREE-			
		CHECKED BY K. TOJO	DATE 2004/05/17	MOLEX INCORPORATED			
		APPROVED BY M. SASAO	DATE 2004/05/17	MATERIAL NO. SEE TABLE	DOCUMENT NO. SD-56579-015	SHEET NO. 1 OF 2	
		THIS DRAWING CONTAINS INFORMATION THAT IS PROPRIETARY TO MOLEX INCORPORATED AND SHOULD NOT BE USED WITHOUT WRITTEN PERMISSION					

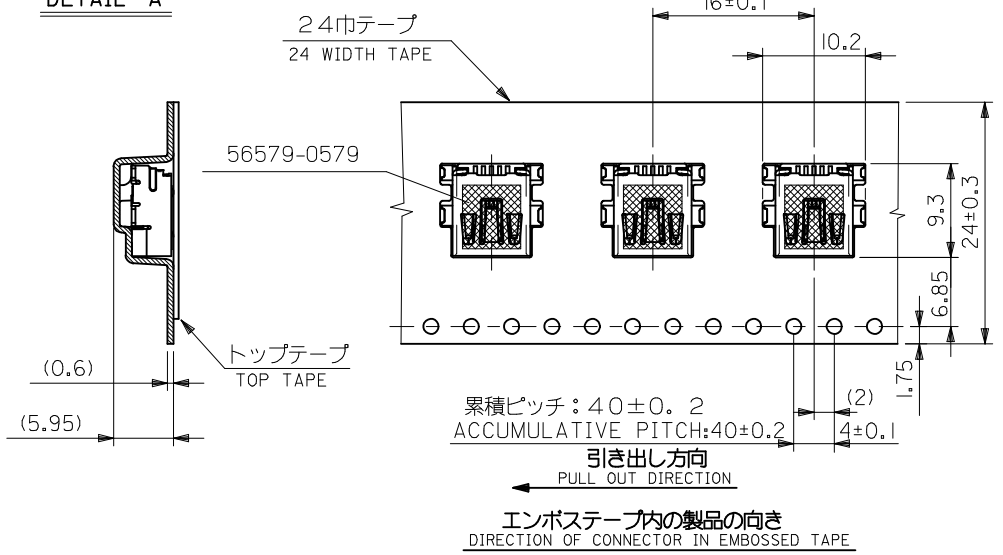


MODEL No.56579-**79

REVISED EC NO: J2009-1533 DRW: NESATO 2009/06/25 CHKD: MATSUMOTO 2009/06/25 APPR: NUKITA 2009/06/25 A	DESCRIPTION GENERAL TOLERANCES (UNLESS SPECIFIED)	10 UNDER ±0.2	DIMENSION STYLE MM ONLY	SCALE 10:1	DESIGN UNITS METRIC	THIRD ANGLE PROJECTION	
		10 OVER 30 UNDER ±0.25	DRAWN BY M. NAGATA	DATE 2004/05/17	TITLE USB SERIES MINI-AB RECH.S'G ASS'Y(SMT) -LEAD FREE-		
		30 OVER ±0.3	CHECKED BY K. TOJO	DATE 2004/05/17	MOLEX INCORPORATED		
		ANGULAR ±3 °	APPROVED BY M. SASAO	DATE 2004/05/17	MATERIAL NO. SEE SHEET1	DOCUMENT NO. SD-56579-015	SHEET NO. 2 OF 2
		DRAFT WHERE APPLICABLE MUST REMAIN WITHIN DIMENSIONS	THIS DRAWING CONTAINS INFORMATION THAT IS PROPRIETARY TO MOLEX INCORPORATED AND SHOULD NOT BE USED WITHOUT WRITTEN PERMISSION				

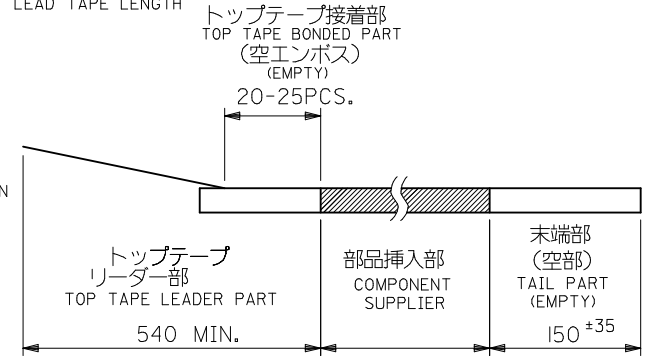


DETAIL "A"

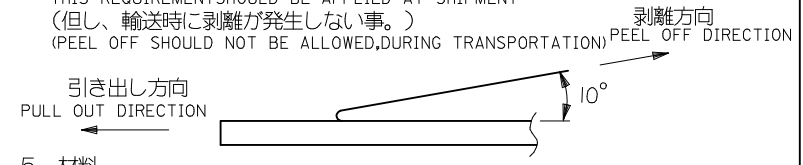


NOTES

- 56579-0579の詳細はSD-56579-015参照
IN THE PACKAGE PART NO.56579-0579 DETAILED, SEE SD-56579-015.
- 梱包数量: 800 個/リール
NUMBER OF CONNECTORS: 800 PCS/REEL
- リードテープ長さ
LEAD TAPE LENGTH



- トップテープの剥離強度: 0.1~1.3N(10~130gf)
(剥離方向は下図参照) キャリアテープ幅: 24mm
PEEL-OFF FORCE OF TOP TAPE: 0.1~1.3N(10~130gf)
(PEELING DIRECTION AS SHOWN IN FOLLOWING FIG.)
尚、本規格値は、出荷時に適用。
THIS REQUIREMENT SHOULD BE APPLIED AT SHIPMENT
(但し、輸送時に剥離が発生しない事。)
(PEEL OFF SHOULD NOT BE ALLOWED, DURING TRANSPORTATION)



- 材料
MATERIAL
キャリアテープ: ポリプロピレン POLYSTYRENE(PS)
CARRIER TAPE: POLYPROPYLENE
トップテープ: ポリエステル, ポリエチレン
TOP TAPE: POLYESTER, POLYETHYLENE
リール: ポリスチレン <リサイクル材を含む>
REEL: POLYSTYRENE <RECYCLE MATERIAL CONTAINED>
- 本製品は56579-0578の鉛フリー品である。
THIS PRODUCT IS LEAD FREE OF 56579-0578.

56579-0576
MATERIAL No.

MODEL No.56579-0576

REVISED EC NO: J2009-1142 DRWN:MTAKAZONO 2008/11/14 CHKD:HMATSUMOTO 2008/11/14 APPR:NUKITA 2008/11/14 REV A	DESCRIPTION	GENERAL TOLERANCES (UNLESS SPECIFIED)		DIMENSION STYLE MM ONLY		SCALE 2:1	DESIGN UNITS METRIC	THIRD ANGLE PROJECTION	
		10 UNDER	±0.2	DRAWN BY MNAGATA	DATE 2004/05/17	TITLE USB SERIES MINI-AB (SMT)EMBOSSD ASS'Y -LEAD FREE-			
		10 OVER 30 UNDER	±0.25	CHECKED BY KTOJO	DATE 2004/05/17	MOLEX INCORPORATED			
		30 OVER	±0.3	APPROVED BY MSASAO	DATE 2004/05/17	DOCUMENT NO. SD-56579-016			
ANGULAR ±3 °		DRAFT WHERE APPLICABLE MUST REMAIN WITHIN DIMENSIONS		MATERIAL NO. SEE TABLE		SHEET NO. 1 OF 1			