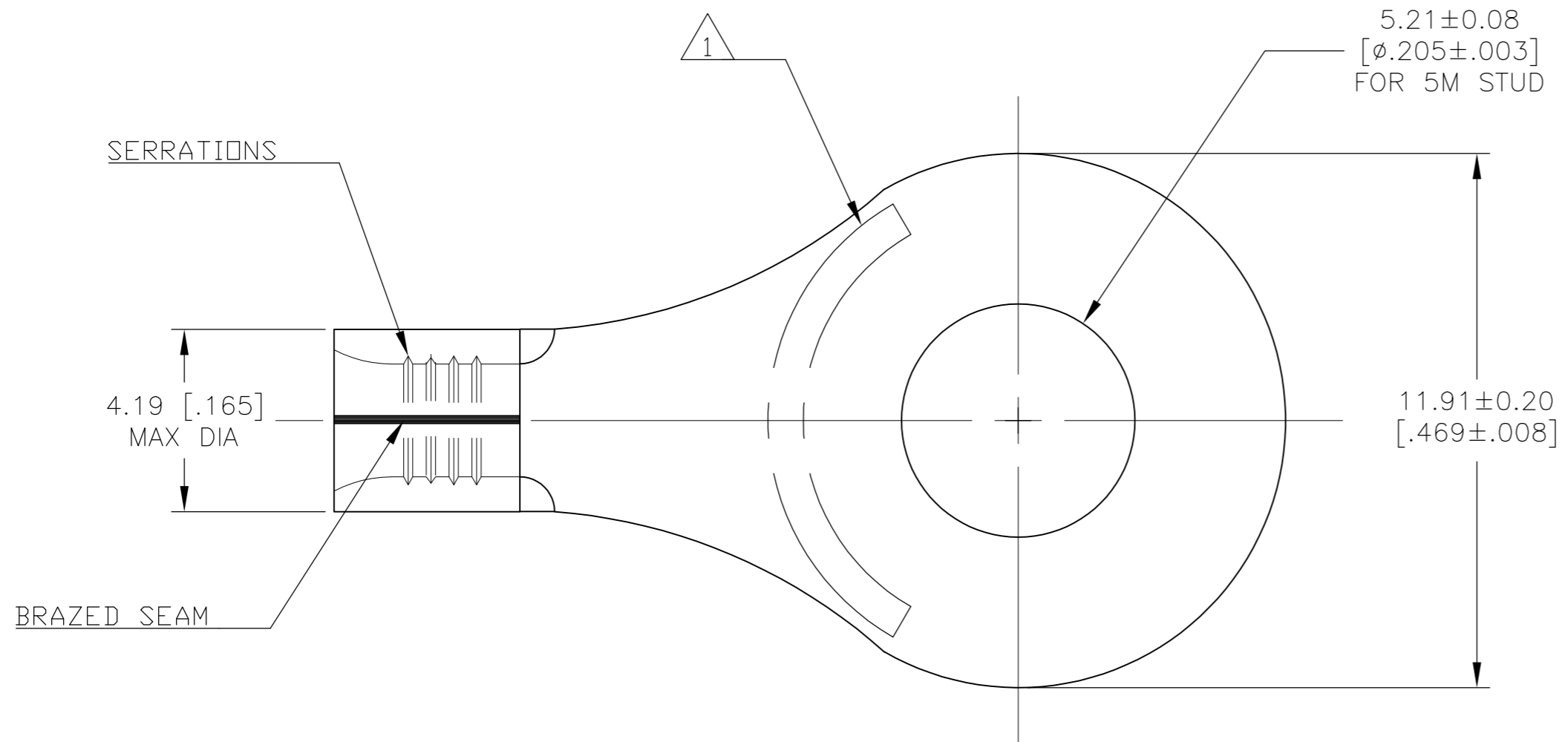


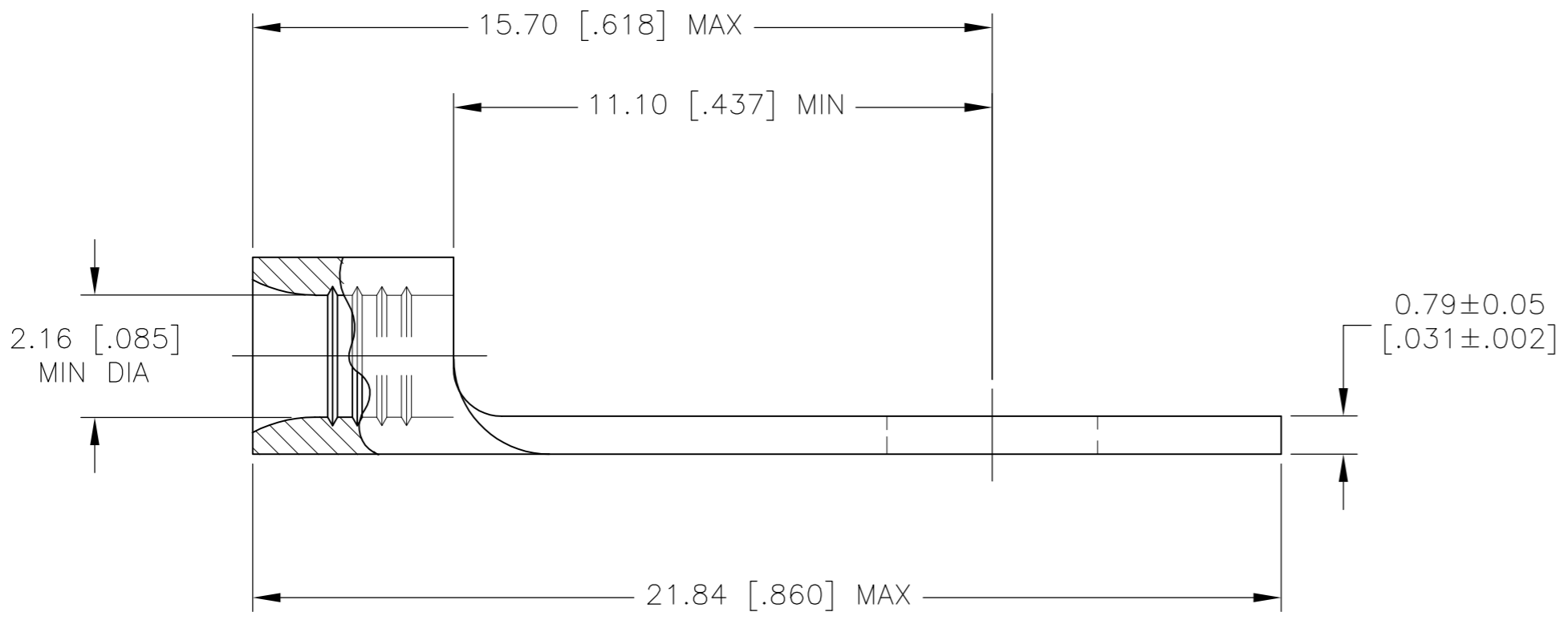
THIS DRAWING IS UNPUBLISHED. RELEASED FOR PUBLICATION  
 © COPYRIGHT BY TYCO ELECTRONICS CORPORATION. ALL INTERNATIONAL RIGHTS RESERVED.

LOC	DIST	REVISIONS			
P	LTR	DESCRIPTION	DATE	DWN	APVD
G	14	B	REV PER ECR 10-003079	03MAR10	JR TM



<b>AMP</b> WIRE RANGE	<b>UL</b> Listed FILE E13288	<b>SR</b> LR7189 Certified
16-14 AWG SOLID OR STRANDED	16-14 AWG SOLID OR STRANDED	16-14 AWG SOLID OR STRANDED

- 1 STAMP AMP 16-14\* APPROX AS SHOWN
- 2 0.00254 [.000100] MIN TIN PER ASTM B-545.



FINISH	QTY	PACKAGING TYPE	PART NO.
2	5000	ON TAPE	2-130128-1
2	1000	LOOSE PIECE	130128

<b>AMP INCORPORATED CUSTOMER SERVICE SYSTEMS</b>		MAX RECOMMENDED OPERATING TEMPERATURE: 105°C [221° F]		THIS DRAWING IS A CONTROLLED DOCUMENT.		DWN JR RUTH 03MAR10 CHK TOM MICHELUTTI 03MAR10 APVD TOM MICHELUTTI 03MAR10		<b>Tyco Electronics</b> Tyco Electronics Corporation Harrisburg, PA 17105-3608			
FOR ADDITIONAL PRODUCT INFORMATION OR COPIES OF DRAWINGS AND TECHNICAL DOCUMENTS	PRODUCT INFORMATION CENTER 1-800-522-6752	VOLTAGE RATING: 600V MAX (1000V FIXTURE OR SIGN)	CIRCULAR MIL AREA: 1.04-2.62mm² [2,050-5,180] SOLID OR STRANDED	DIMENSIONS: MM [ INCHES ]		TOLERANCES UNLESS OTHERWISE SPECIFIED: 0 PLC ± - 1 PLC ± - 2 PLC ± 0.20 [.008] 3 PLC ± - 4 PLC ± - ANGLES ± -		NAME TERMINAL, RING TONGUE, SOLISTRAND			
FOR APPLICATION TOOLING INFORMATION	TOOLING ASSISTANCE CENTER 1-800-722-1111	MATERIAL COPPER PER ASTM B-152 ANNEALED		FINISH SEE TABLE		APPLICATION SPEC		SIZE A2	CAGE CODE 00779	DRAWING NO C-130128	RESTRICTED TO
FOR ORDER ENTRY	1-800-526-5142	THIS DRAWING IS A CONTROLLED DOCUMENT FOR AMP INCORPORATED. IT IS SUBJECT TO CHANGE AND THE CONTROLLING ENGINEERING ORGANIZATION SHOULD BE CONTACTED FOR THE LATEST REVISION.		CUSTOMER DRAWING		WEIGHT		SCALE 8:1	SHEET 1 of 1	REV B	

130128