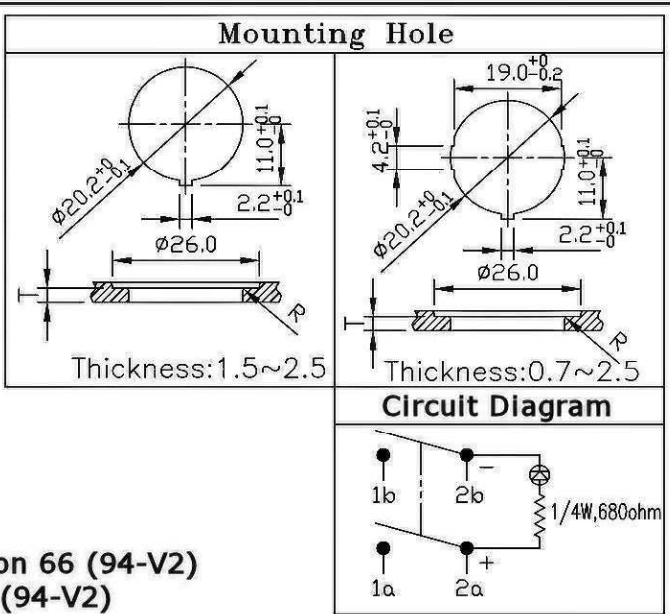
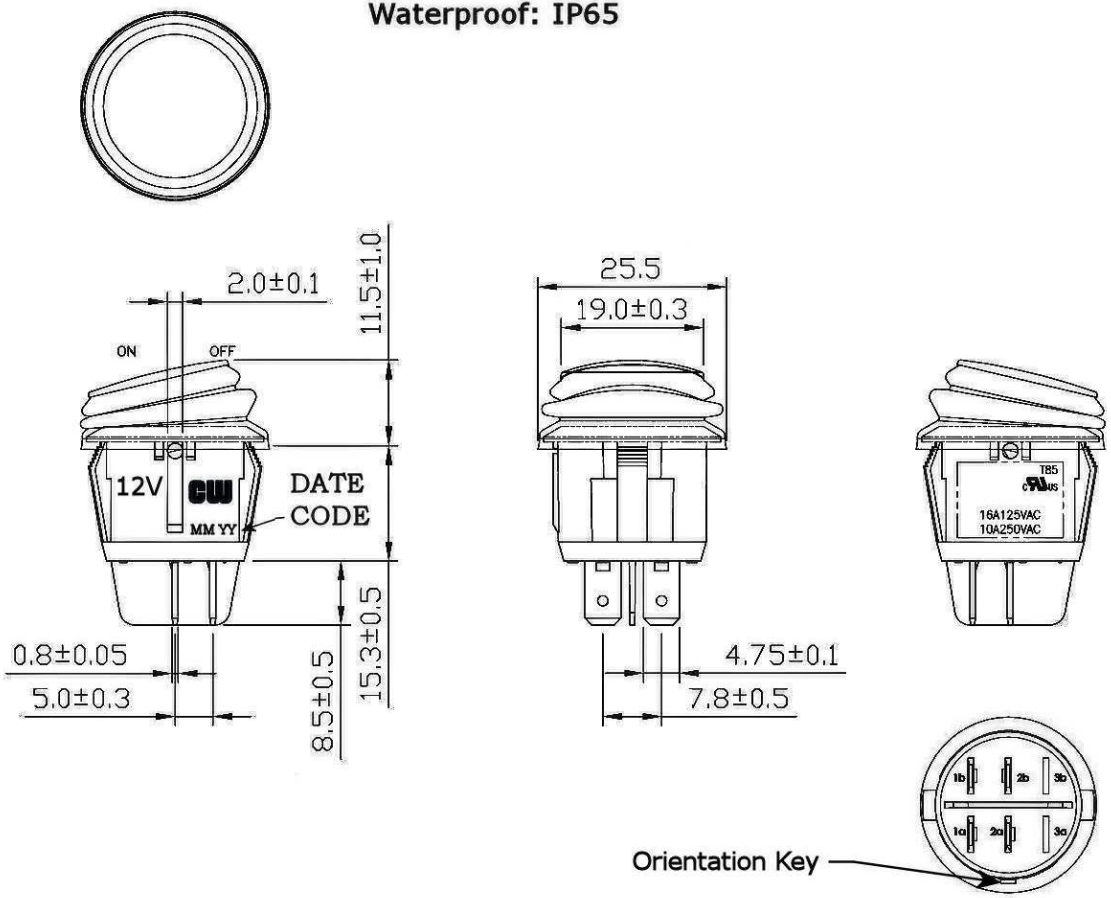


THIS INFORMATION IS CONFIDENTIAL AND PROPRIETARY TO CW INDUSTRIES INCORPORATED AND ITS AFFILIATES. IT MAY NOT BE DISCLOSED TO ANYONE, OTHER THAN CW INDUSTRIES PERSONNEL, WITHOUT WRITTEN AUTHORIZATION FROM CW INDUSTRIES INCORPORATED, SOUTHAMPTON, PENNSYLVANIA USA.

Rating	16A 125VAC 10A 250VAC	
Configured For	20A 12VDC 14V	
Contact Resistance	50m ohm Max.	
Insulation Resistance	DC 500V 100M ohm Min.	
Dielectric Strength	AC 1500V 1 minute	
Operation Temp.	- 25° C ~ 85° C	
Function	4P DPST ON - OFF Lamp Dependent	
Lamp Type	LED 12VDC 14V w/resistor	



Frame: Black, Nylon 66 (94-V2)
 Actuator: Red, PC (94-V2)
 Led: Red
 Waterproof rubber: Black, Silicone
 Terminals: Silver plated, Copper alloy
 Printed: None
 Waterproof: IP65



RoHS Compliant

3 Added Dependent to function, configured for to rating, 12V to switch & Lamp type. 1/17/12
 2 Added date code, 16A & 10A info. 1/28/11.

CW INDUSTRIES Southampton, Pa. 18966 Tel 215.355.7080/www.cwind.com	Date Drawn: 1/28/11	Rev. 3	Unit: mm	Checked By: <i>G. Gold</i>
	Title: ROCKER SWITCH		CW P/N: GRB244B802BR1	