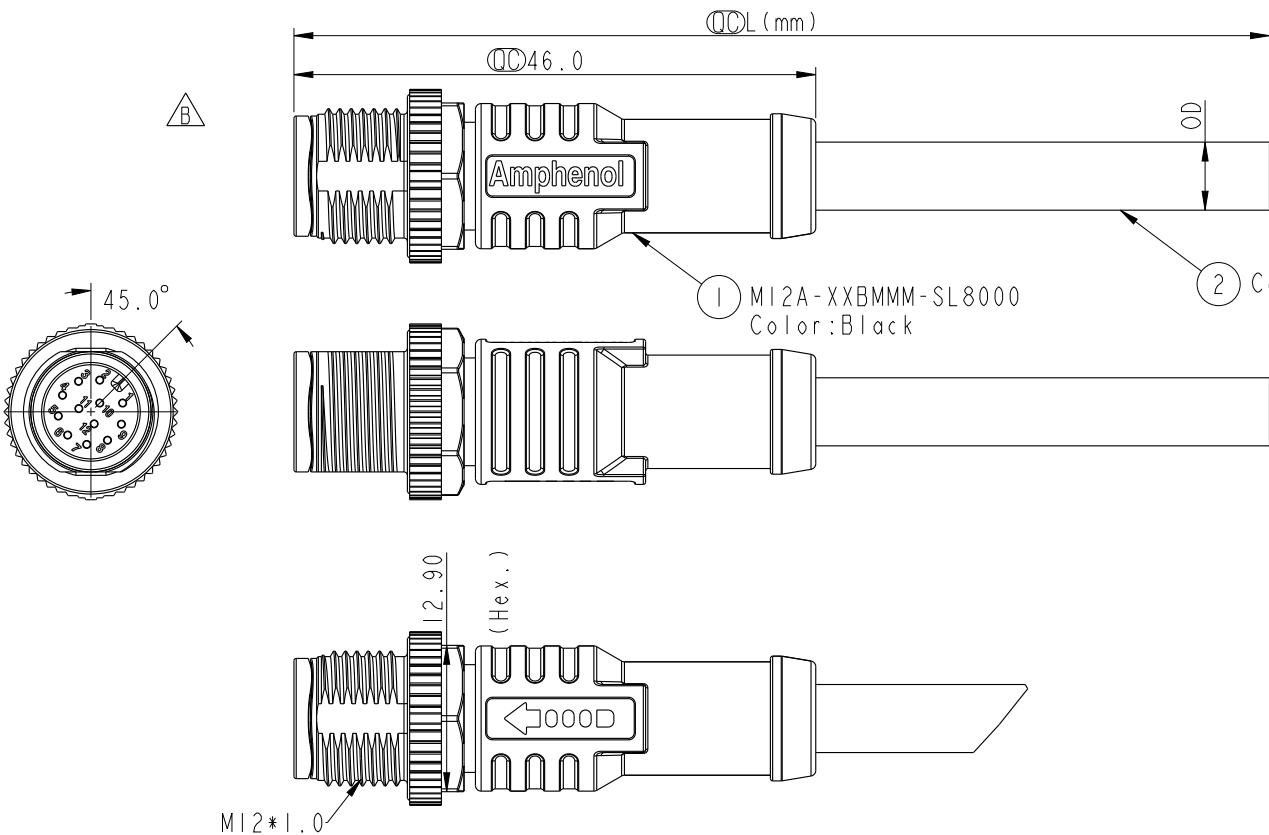


THIS DOCUMENT IS SUBJECT TO CHANGE WITHOUT NOTICE. IT IS CONFIDENTIAL AND A PROPERTY OF Amphenol LTW. DISCLOSURE TO THIRD PARTY HAS TO BE AUTHORIZED BY Amphenol LTW.

REV.	ECN NO.	DATE	SIGN	DESCRIPTION
C	LEN1680979-996 LEN1681012-015	2016/08/13	Yulong_wang	Add 6Pin & IP69K.
D	LEN1750103-09	2017/04/06	Lingpeng	Change The Cable OD
E	BOMR19100201	2019-10-29	Lingpeng	Add 17P



① M12A-XXBMMM-SL8000
Color:Black

② Cable


- Notes:
- * Important Dimension.
 - * Waterproof Rate: IP68., IP69K.
 - * Connector:
 - 3~6P,8P,10P,12P: PU+GF,Black.
 - 17P: Nylon+GF,Black.
 - * Male Pin: Copper Alloy, Gold Plated.
 - * Screw Nut: Zinc Alloy, Nickel Plated.
 - * Outer Mold: PU,Black.
 - * Cable: (A) UL2517,PVC Jacket,Yellow.
(B) UL20549,PUR Jacket,Black.
(D) UL2517,PVC Jacket,Black.
 - * Rated Voltage: 3 & 4Pin 250V dc. or ac.
5Pin 60V dc. or ac.
6~12Pin,17Pin 30V dc. or ac.
 - * Rated Current: 3~5Pin 4A
6~8Pin 2A
10~12Pin,17Pin 1.5A
 - * Operating Temperature: -25~85°C
 - * Cable Length Tolerance: 01M:±40mm
02M~05M:±60mm
06M~10M:±100mm
11M~30M:±200mm
31M~99M:±500mm

UNIT:mm		
TOLERANCE		
±0.5mm		

TITLE M12 A Type Cable Male Conn.			
SCALE 3:2	SIZE A4	SHEET 1 OF 3	
REV. E	WC-REV. A.3	Inspection item	

Amphenol LTW
安費諾亮泰企業股份有限公司

ITEM NO	DRAWN BY Lingpeng	DATE 2017-04-06
DWG NO M12A-XXBMMM-SL8XXX	CHECKED BY Ma Fei	DATE 2017-04-06
CUSTOMER ALTW	APPROVED BY Jerry	DATE 2017-04-06

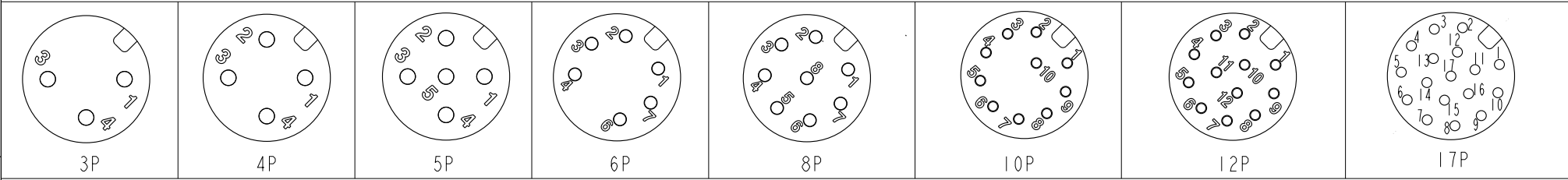
F						<table border="1" style="width: 100%; border-collapse: collapse;"> <tr> <td style="width: 10%; text-align: center;">△E</td> <td style="width: 10%;">17P</td> <td rowspan="10" style="width: 10%; text-align: center;">PVC</td> <td style="width: 10%;">7.0</td> <td rowspan="3" style="width: 10%; text-align: center;">26</td> <td style="width: 20%;">M12A-17BMMM-SL8DXX</td> </tr> <tr> <td></td> <td>12P</td> <td>6.0</td> <td>M12A-12BMMM-SL8DXX</td> </tr> <tr> <td></td> <td>10P</td> <td></td> <td>M12A-10BMMM-SL8DXX</td> </tr> <tr> <td style="text-align: center;">△C</td> <td>8P</td> <td>5.5</td> <td rowspan="3" style="text-align: center;">24</td> <td>M12A-08BMMM-SL8DXX</td> </tr> <tr> <td></td> <td>6P</td> <td>5.0</td> <td>M12A-06BMMM-SL8DXX</td> </tr> <tr> <td></td> <td>5P</td> <td>5.1</td> <td>M12A-05BMMM-SL8DXX</td> </tr> <tr> <td></td> <td>4P</td> <td>4.8</td> <td rowspan="3" style="text-align: center;">22</td> <td>M12A-04BMMM-SL8DXX</td> </tr> <tr> <td></td> <td>3P</td> <td>4.1</td> <td>M12A-03BMMM-SL8DXX</td> </tr> <tr> <td></td> <td>17P</td> <td>7.0</td> <td>M12A-17BMMM-SL8BXX</td> </tr> <tr> <td style="text-align: center;">△D</td> <td>12P</td> <td rowspan="10" style="text-align: center;">PUR</td> <td>6.0</td> <td rowspan="3" style="text-align: center;">26</td> <td>M12A-12BMMM-SL8BXX</td> </tr> <tr> <td style="text-align: center;">△E</td> <td>10P</td> <td>6.0</td> <td>M12A-10BMMM-SL8BXX</td> </tr> <tr> <td></td> <td>8P</td> <td>4.8</td> <td>M12A-08BMMM-SL8BXX</td> </tr> <tr> <td style="text-align: center;">△D</td> <td>6P</td> <td>5.0</td> <td rowspan="3" style="text-align: center;">24</td> <td>M12A-06BMMM-SL8BXX</td> </tr> <tr> <td></td> <td>5P</td> <td>4.4</td> <td>M12A-05BMMM-SL8BXX</td> </tr> <tr> <td></td> <td>4P</td> <td>4.0</td> <td>M12A-04BMMM-SL8BXX</td> </tr> <tr> <td></td> <td>3P</td> <td>3.8</td> <td rowspan="3" style="text-align: center;">22</td> <td>M12A-03BMMM-SL8BXX</td> </tr> <tr> <td></td> <td>17P</td> <td>7.0</td> <td>M12A-17BMMM-SL8AXX</td> </tr> <tr> <td style="text-align: center;">△E</td> <td>12P</td> <td rowspan="10" style="text-align: center;">PVC</td> <td>6.0</td> <td rowspan="3" style="text-align: center;">26</td> <td>M12A-12BMMM-SL8AXX</td> </tr> <tr> <td></td> <td>10P</td> <td>6.0</td> <td>M12A-10BMMM-SL8AXX</td> </tr> <tr> <td></td> <td>8P</td> <td>5.5</td> <td>M12A-08BMMM-SL8AXX</td> </tr> <tr> <td></td> <td>6P</td> <td>5.0</td> <td rowspan="3" style="text-align: center;">24</td> <td>M12A-06BMMM-SL8AXX</td> </tr> <tr> <td></td> <td>5P</td> <td>5.1</td> <td>M12A-05BMMM-SL8AXX</td> </tr> <tr> <td></td> <td>4P</td> <td>4.8</td> <td>M12A-04BMMM-SL8AXX</td> </tr> <tr> <td></td> <td>3P</td> <td>4.5</td> <td rowspan="3" style="text-align: center;">22</td> <td>M12A-03BMMM-SL8AXX</td> </tr> <tr> <td></td> <td>17P</td> <td>7.0</td> <td>M12A-17BMMM-SL8AXX</td> </tr> <tr> <td></td> <td>12P</td> <td>6.0</td> <td>M12A-12BMMM-SL8AXX</td> </tr> <tr> <td></td> <td>10P</td> <td>6.0</td> <td>M12A-10BMMM-SL8AXX</td> </tr> <tr> <td></td> <td>8P</td> <td>5.5</td> <td rowspan="3" style="text-align: center;">24</td> <td>M12A-08BMMM-SL8AXX</td> </tr> <tr> <td></td> <td>6P</td> <td>5.0</td> <td>M12A-06BMMM-SL8AXX</td> </tr> <tr> <td></td> <td>5P</td> <td>5.1</td> <td>M12A-05BMMM-SL8AXX</td> </tr> <tr> <td></td> <td>4P</td> <td>4.8</td> <td rowspan="3" style="text-align: center;">22</td> <td>M12A-04BMMM-SL8AXX</td> </tr> <tr> <td></td> <td>3P</td> <td>4.5</td> <td>M12A-03BMMM-SL8AXX</td> </tr> <tr> <td></td> <td>Contacts</td> <td>Cable Jacket</td> <td>Cable OD</td> <td>AWG</td> <td>Item No.</td> </tr> </table>	△E	17P	PVC	7.0	26	M12A-17BMMM-SL8DXX		12P	6.0	M12A-12BMMM-SL8DXX		10P		M12A-10BMMM-SL8DXX	△C	8P	5.5	24	M12A-08BMMM-SL8DXX		6P	5.0	M12A-06BMMM-SL8DXX		5P	5.1	M12A-05BMMM-SL8DXX		4P	4.8	22	M12A-04BMMM-SL8DXX		3P	4.1	M12A-03BMMM-SL8DXX		17P	7.0	M12A-17BMMM-SL8BXX	△D	12P	PUR	6.0	26	M12A-12BMMM-SL8BXX	△E	10P	6.0	M12A-10BMMM-SL8BXX		8P	4.8	M12A-08BMMM-SL8BXX	△D	6P	5.0	24	M12A-06BMMM-SL8BXX		5P	4.4	M12A-05BMMM-SL8BXX		4P	4.0	M12A-04BMMM-SL8BXX		3P	3.8	22	M12A-03BMMM-SL8BXX		17P	7.0	M12A-17BMMM-SL8AXX	△E	12P	PVC	6.0	26	M12A-12BMMM-SL8AXX		10P	6.0	M12A-10BMMM-SL8AXX		8P	5.5	M12A-08BMMM-SL8AXX		6P	5.0	24	M12A-06BMMM-SL8AXX		5P	5.1	M12A-05BMMM-SL8AXX		4P	4.8	M12A-04BMMM-SL8AXX		3P	4.5	22	M12A-03BMMM-SL8AXX		17P	7.0	M12A-17BMMM-SL8AXX		12P	6.0	M12A-12BMMM-SL8AXX		10P	6.0	M12A-10BMMM-SL8AXX		8P	5.5	24	M12A-08BMMM-SL8AXX		6P	5.0	M12A-06BMMM-SL8AXX		5P	5.1	M12A-05BMMM-SL8AXX		4P	4.8	22	M12A-04BMMM-SL8AXX		3P	4.5	M12A-03BMMM-SL8AXX		Contacts	Cable Jacket	Cable OD	AWG	Item No.
△E	17P	PVC	7.0	26	M12A-17BMMM-SL8DXX																																																																																																																																																					
	12P		6.0		M12A-12BMMM-SL8DXX																																																																																																																																																					
	10P				M12A-10BMMM-SL8DXX																																																																																																																																																					
△C	8P		5.5	24	M12A-08BMMM-SL8DXX																																																																																																																																																					
	6P		5.0		M12A-06BMMM-SL8DXX																																																																																																																																																					
	5P		5.1		M12A-05BMMM-SL8DXX																																																																																																																																																					
	4P		4.8	22	M12A-04BMMM-SL8DXX																																																																																																																																																					
	3P		4.1		M12A-03BMMM-SL8DXX																																																																																																																																																					
	17P		7.0		M12A-17BMMM-SL8BXX																																																																																																																																																					
△D	12P		PUR	6.0	26	M12A-12BMMM-SL8BXX																																																																																																																																																				
△E	10P	6.0		M12A-10BMMM-SL8BXX																																																																																																																																																						
	8P	4.8		M12A-08BMMM-SL8BXX																																																																																																																																																						
△D	6P	5.0		24	M12A-06BMMM-SL8BXX																																																																																																																																																					
	5P	4.4			M12A-05BMMM-SL8BXX																																																																																																																																																					
	4P	4.0			M12A-04BMMM-SL8BXX																																																																																																																																																					
	3P	3.8		22	M12A-03BMMM-SL8BXX																																																																																																																																																					
	17P	7.0			M12A-17BMMM-SL8AXX																																																																																																																																																					
△E	12P	PVC			6.0	26	M12A-12BMMM-SL8AXX																																																																																																																																																			
	10P			6.0	M12A-10BMMM-SL8AXX																																																																																																																																																					
	8P		5.5	M12A-08BMMM-SL8AXX																																																																																																																																																						
	6P		5.0	24	M12A-06BMMM-SL8AXX																																																																																																																																																					
	5P		5.1		M12A-05BMMM-SL8AXX																																																																																																																																																					
	4P		4.8		M12A-04BMMM-SL8AXX																																																																																																																																																					
	3P		4.5	22	M12A-03BMMM-SL8AXX																																																																																																																																																					
	17P		7.0		M12A-17BMMM-SL8AXX																																																																																																																																																					
	12P		6.0		M12A-12BMMM-SL8AXX																																																																																																																																																					
	10P		6.0	M12A-10BMMM-SL8AXX																																																																																																																																																						
	8P	5.5	24	M12A-08BMMM-SL8AXX																																																																																																																																																						
	6P	5.0		M12A-06BMMM-SL8AXX																																																																																																																																																						
	5P	5.1		M12A-05BMMM-SL8AXX																																																																																																																																																						
	4P	4.8	22	M12A-04BMMM-SL8AXX																																																																																																																																																						
	3P	4.5		M12A-03BMMM-SL8AXX																																																																																																																																																						
	Contacts	Cable Jacket		Cable OD	AWG	Item No.																																																																																																																																																				
E																																																																																																																																																										
D																																																																																																																																																										
C	<p style="text-align: center;">M 12A - XX B M M M - S L 8 X XX</p> <p>12A: A-Code</p> <p>03: 3Pin</p> <p>04: 4Pin</p> <p>05: 5Pin</p> <p>06: 6Pin</p> <p>08: 8Pin</p> <p>10: 10Pin</p> <p>12: 12Pin △E</p> <p>17: 17Pin △E</p> <p>B: Cable Without S/R (線端無網尾)</p> <p>M: Male Connector (公座)</p> <p>M: Male Pin (公Pin)</p>																																																																																																																																																									
B	<p>XX: 01~99Meters 01: 01Meter 02: 02Meters ⋮ 99: 99Meters</p> <p>A: PVC UL2517 Cable, Yellow (PVC黃色外被線材)</p> <p>B: PUR UL20549 Cable, Black (PUR黑色外被線材)</p> <p>D: PVC UL2517 Cable, Black (PVC黑色外被線材) △B</p> <p>8: IP68/69K (防水等級68/69K) △C</p> <p>L: Straight (180° 線端)</p> <p>S: Screw (螺紋式)</p> <p>M: Molding Type (射出成型)</p>																																																																																																																																																									
A	UNIT:mm  TOLERANCE ±0.5mm	TITLE M12 A Type Cable Male Conn.	<h1 style="margin: 0;">Amphenol LTW</h1> <p style="margin: 0;">安費諾亮泰企業股份有限公司</p>	ITEM NO DWG NO CUSTOMER ALTW	DRAWN BY Lingpeng CHECKED BY Ma Fei APPROVED BY Jerry	DATE 2017-04-06 DATE 2017-04-06 DATE 2017-04-06																																																																																																																																																				
		SCALE 3:2 SIZE A4 REV. E WC-REV. A.3 SHEET 2 OF 3 QC: Inspection item				W10814-03-2001A2																																																																																																																																																				

THIS DOCUMENT IS SUBJECT TO CHANGE WITHOUT NOTICE. IT IS CONFIDENTIAL AND A PROPERTY OF Amphenol LTW. DISCLOSURE TO THIRD PARTY HAS TO BE AUTHORIZED BY Amphenol LTW.



5	--		5	--		5	Gray	灰	5	--	8	--	8	Red	紅	12	--	12	Red/Blue	紅/藍	17	White/Gray	白/灰
4	Black	黑	4	Black	黑	4	Black	黑	4	Yellow	黃	7	Blue	藍	7	Blue	藍	11	Gray/Pink	灰/粉	16	Yellow/Brown	黃/棕
3	Blue	藍	3	Blue	藍	3	Blue	藍	3	Green	綠	6	Pink	粉	6	Pink	粉	10	Violet	紫	15	White/Yellow	白/黃
2	--		2	White	白	2	White	白	2	Brown	棕	5	Gray	灰	5	Gray	灰	9	Black	黑	14	Brown/Green	棕/綠
1	Brown	棕	1	Brown	棕	1	Brown	棕	1	White	白	4	Yellow	黃	4	Yellow	黃	8	Red	紅	13	White/Green	白/綠
Pin #	Wire		Pin #	Wire		Pin #	Wire		Pin #	Wire		Pin #	Wire		Pin #	Wire		Pin #	Wire		Pin #	Wire	

Pin Out



Pin Assignments Front View

UNIT:mm TOLERANCE ±0.5mm		TITLE M12 A Type Cable Male Conn.	<h1>Amphenol LTW</h1> 安費諾亮泰企業股份有限公司	ITEM NO	DRAWN BY Lingpeng	DATE 2017-04-06		
		SCALE 3:2		SIZE A4	SHEET 3 OF 3	DWG NO M12A-XXBMMM-SL8XXX	CHECKED BY Ma Fei	DATE 2017-04-06
		REV. E		WC-REV. A.3	☉: Inspection item	CUSTOMER ALTW	APPROVED BY Jerry	DATE 2017-04-06