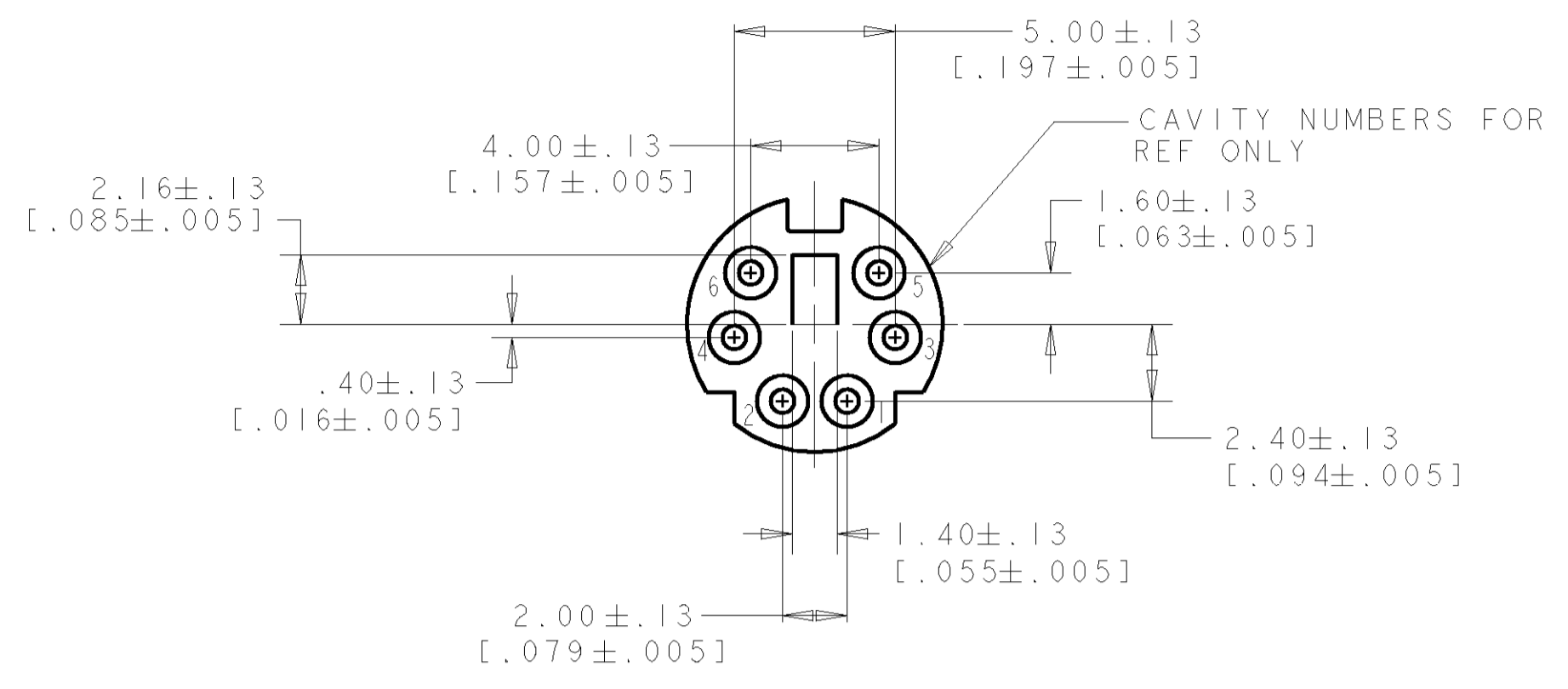
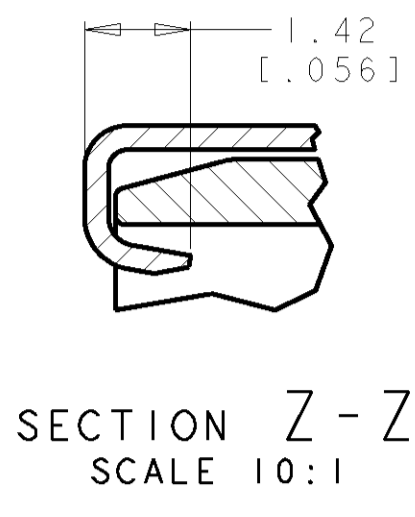
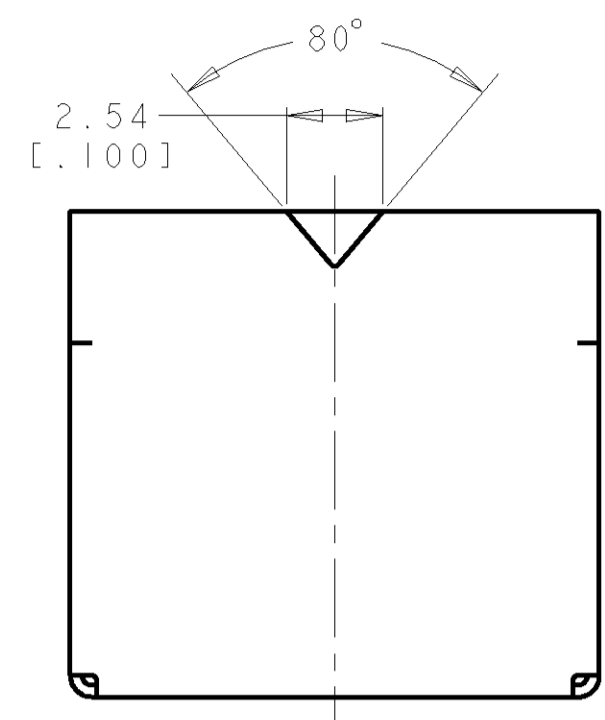
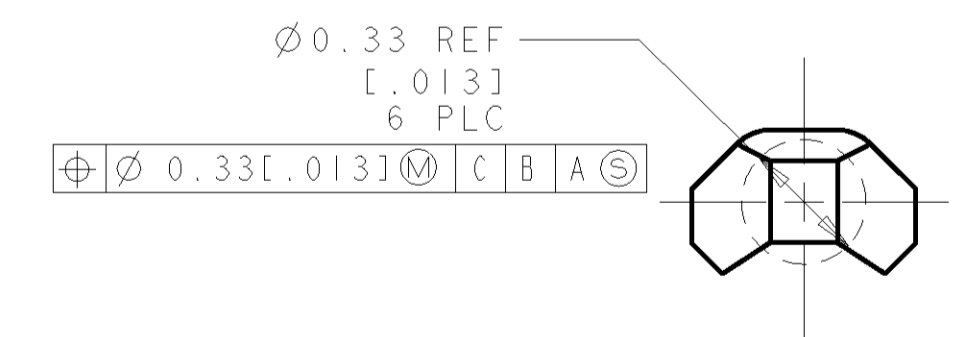
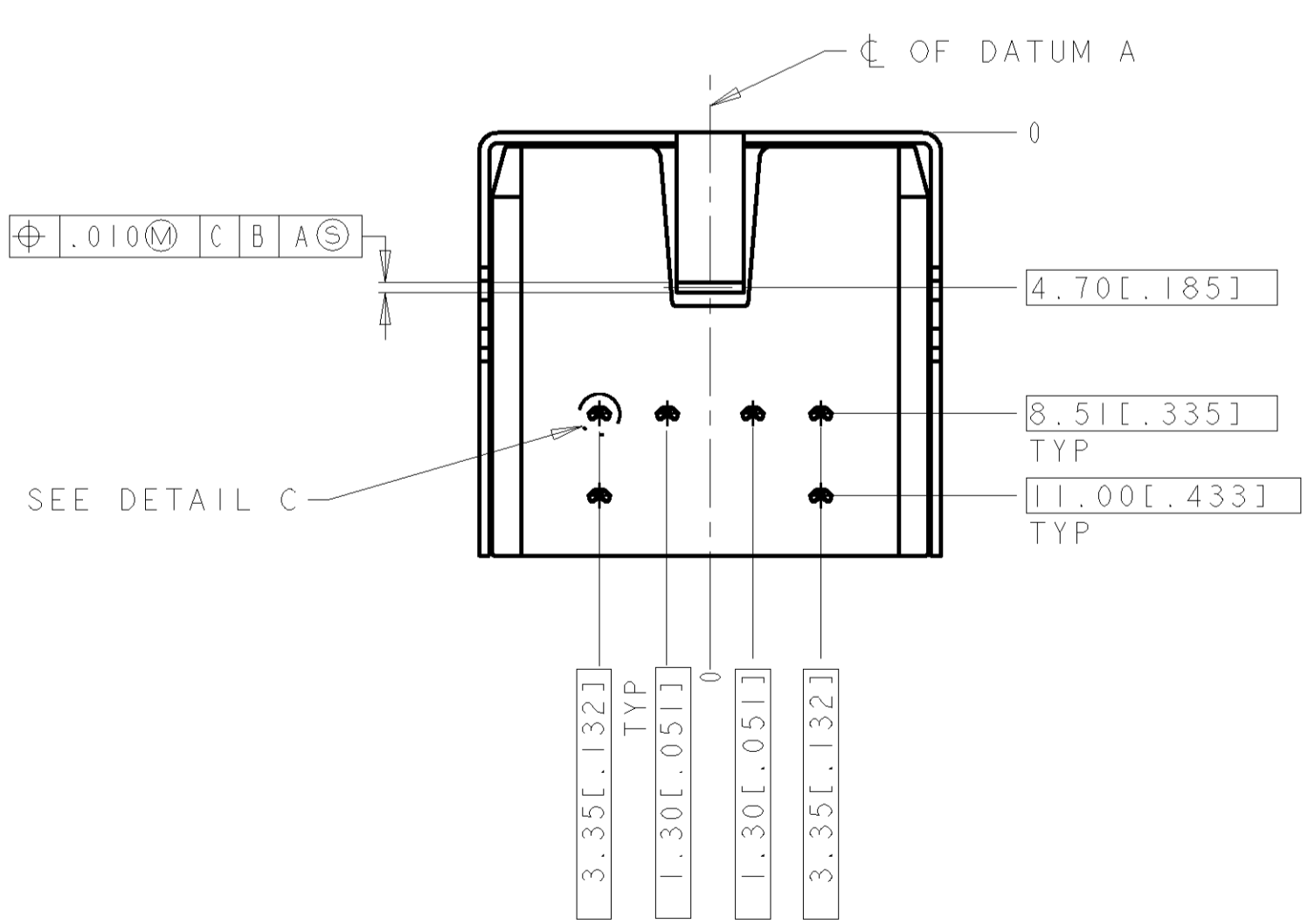
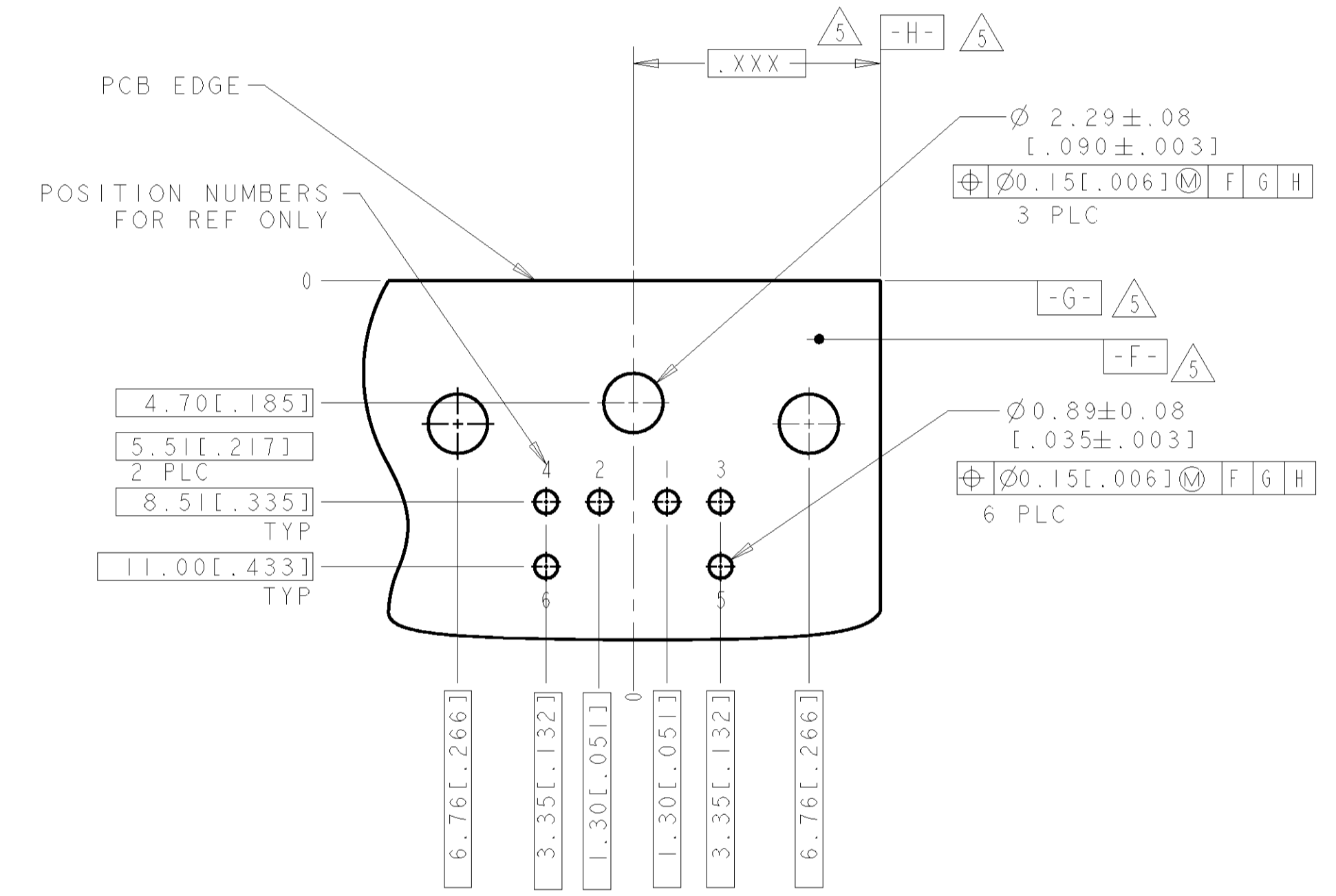
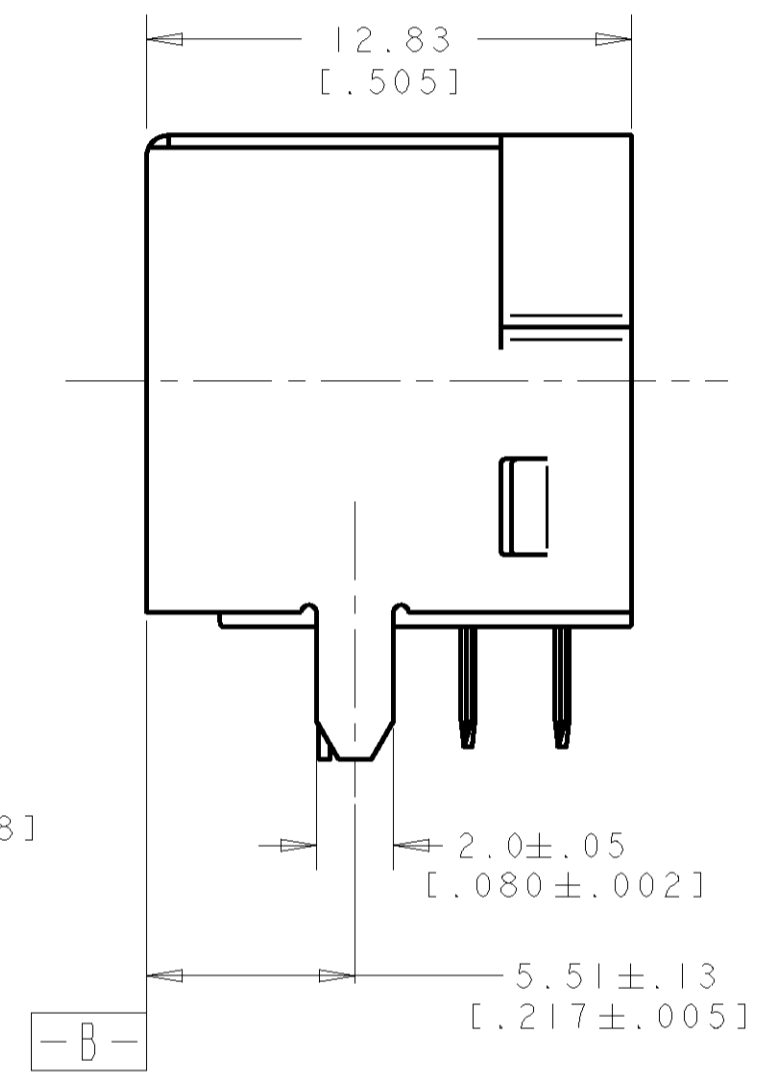
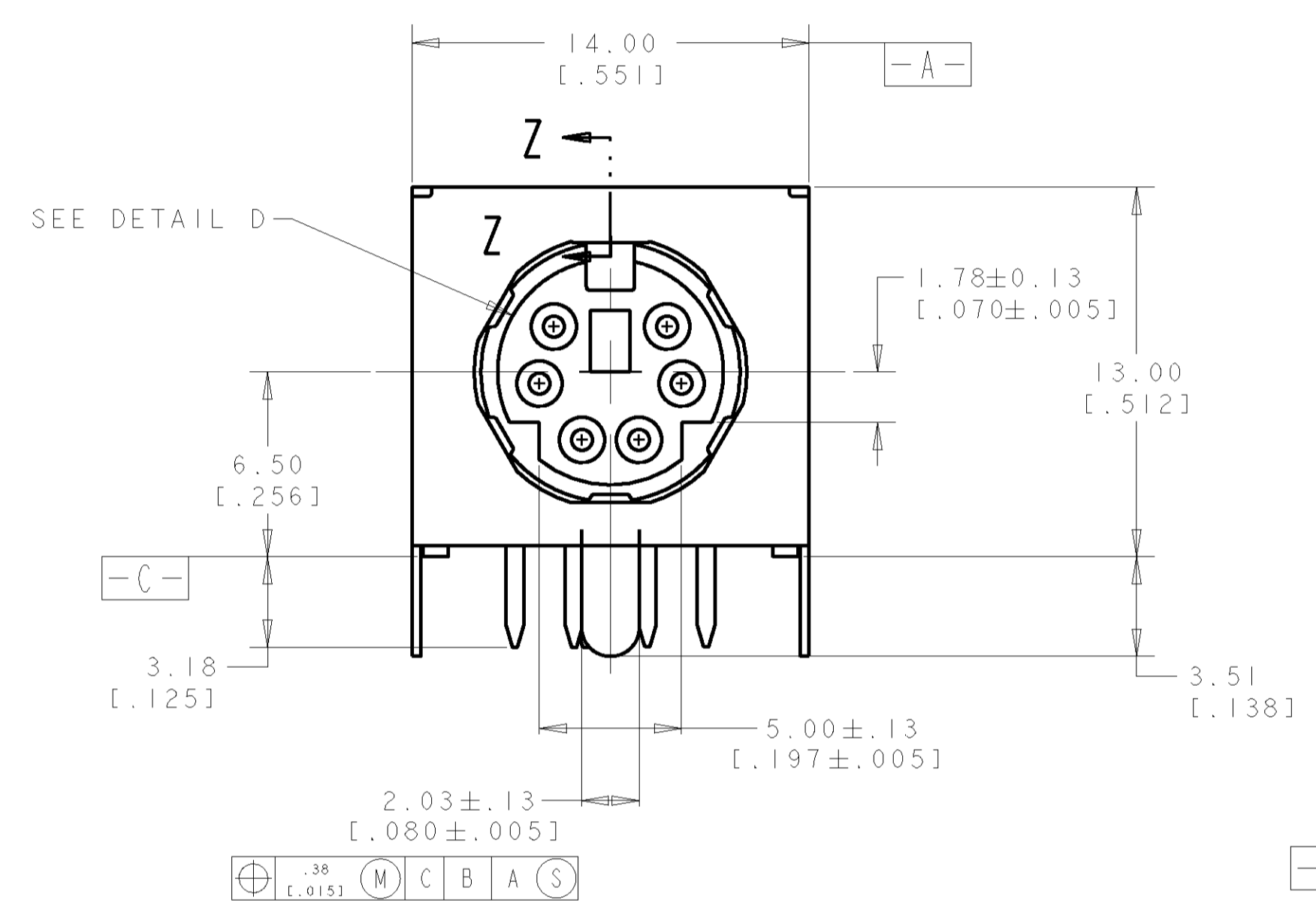


LOC	DIST	REVISIONS			
BY	DATE	DESCRIPTION	DATE	BY	APPD
P	19MAR11	REVISED PER ECO-11-005139		RK	HMR



- △ RECEPTACLE CONTACTS: COPPER ALLOY.
RECEPTACLE SHIELD: COPPER ALLOY.
HOUSING: THERMOPLASTIC, BLACK, 94V-0 RATED.
- △ PLATING:
RECEPTACLE CONTACTS - GOLD FLASH PLATED ON MATING END, MATTE-TIN PLATED .0030 MIN [.000120 MIN] THICK ON SOLDER TAIL ALL OVER .0013 MIN [.000050 MIN] THICK NICKEL.
- △ PLATING:
SHIELD: PRE-TIN PLATED
- 4. RECEPTACLE ASSEMBLY MATES WITH 6 PIN 9.00±.10 [.354±.004] DIAMETER PLUG.
- △ DATUMS AND BASIC DIMENSION SUPPLIED BY CUSTOMER.



DETAIL C
SCALE 50:1

P/N: 5749265-1 AS SHOWN

DIMENSIONS: mm [INCHES]		TOLERANCES UNLESS OTHERWISE SPECIFIED:		DWG: WYLEE 04JAN2005 CHK: SF LEONG APPD: SF LEONG		NAME: RECEPTACLE ASSY, 6 POS., RIGHT ANGLE, MINIATURE CIRCULAR DIN	
0 PLC	±	1 PLC	±	PRODUCT SPEC	108-1225	SIZE	A1
2 PLC	±	3 PLC	±	APPLICATION SPEC		CAGE CODE	00779
4 PLC	±0.38 [0.015]	5 PLC	±	WEIGHT		DRAWING NO	C=5749265
6 PLC	±	ANGLES	±0° 30'	CUSTOMER DRAWING		SCALE	5:1
MATERIAL		FINISH		SHEET	1	OF	1
				REV			P