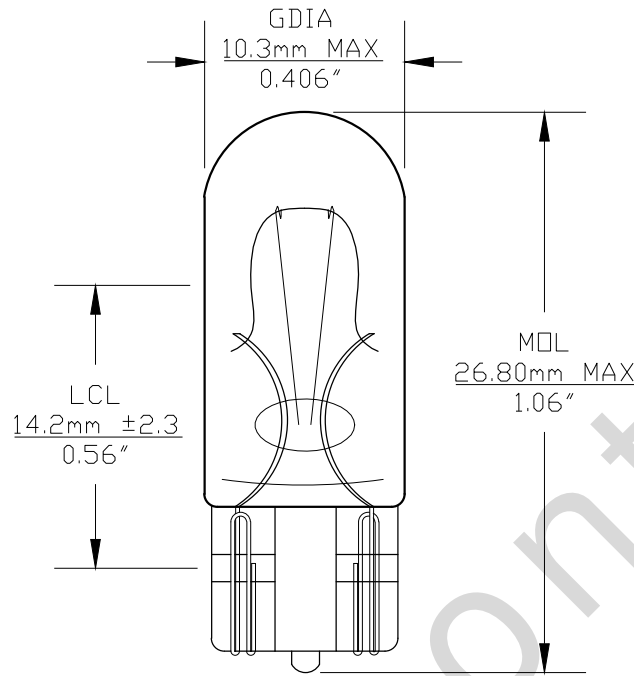


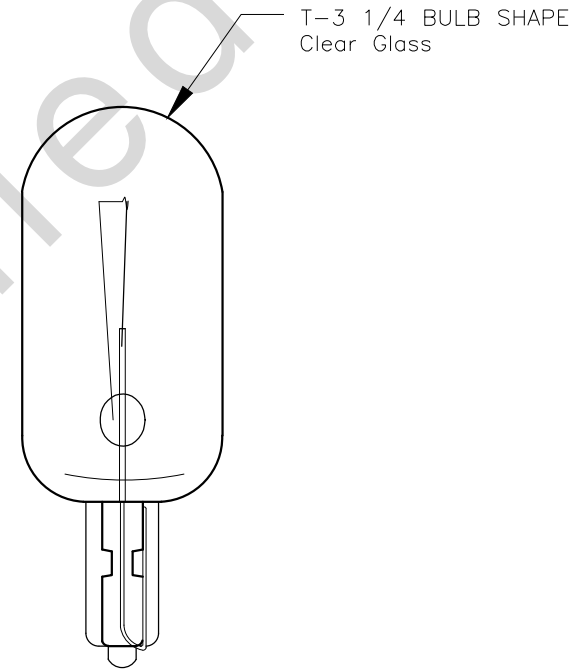


Since 1959

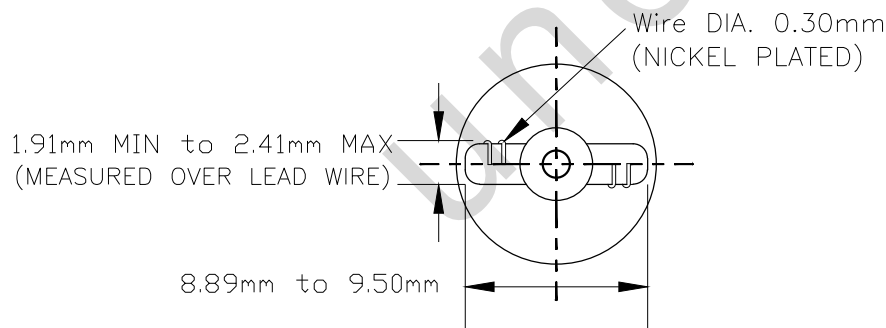
PART NO.	BASE TYPE	DESIGN VOLTS	DESIGN AMPS	MSCD	FILAMENT TYPE	AVERAGE LIFE HOURS	REVISIONS			
							REV #	DESCRIPTION	DATE	APPROVED
168LL	Glass Wedge T-3 1/4 (W2.1X9.2d)	14.0V	0.35±10%	3.0±20%	C-2F	3000	1	ISSUED	07/20/2012	D.C.
							2	ADDITIONAL VIEW	05/23/2014	R.M.



0° VIEW



90° VIEW



BASE BOTTOM VIEW

Note: Made according to SAE specifications



UNLESS OTHERWISE SPECIFIED: DIMENSIONS ARE IN INCHES TOLERANCES		CEC INDUSTRIES LTD			
DECIMALS	ANGULAR	599 BOND STREET		LINCOLNSHIRE, IL 60069	
.XX ± .05	± 0.5°				
.XXX ± .010					
FRACTIONAL	± 1/64				
DRAWN D. C.	DATE 07/20/2012	TITLE LIGHT BULB NO. 168LL			
CHECKED	SIZE A	FSCM NO.	DWG NO. 168LL	REV 2	
DESIGN	SCALE	PLOT SCALE	SHEET 1 OF 1		
MATERIAL	FILE 168LL.pdf	DRAWING NOT TO SCALE			