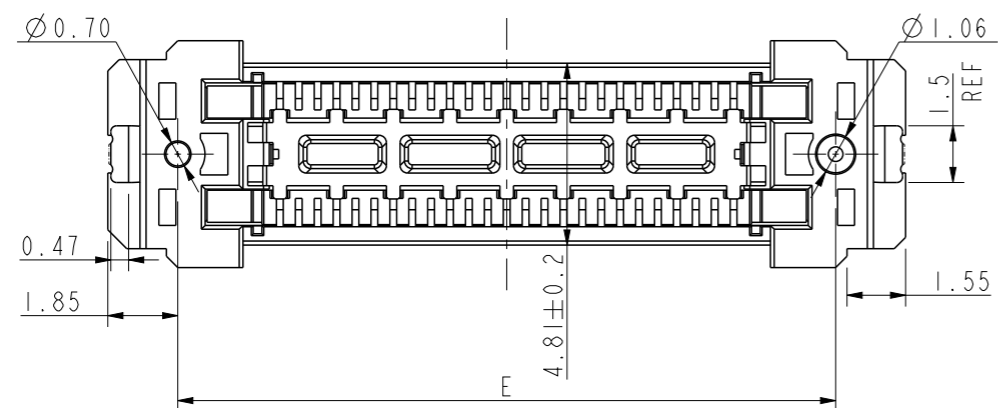
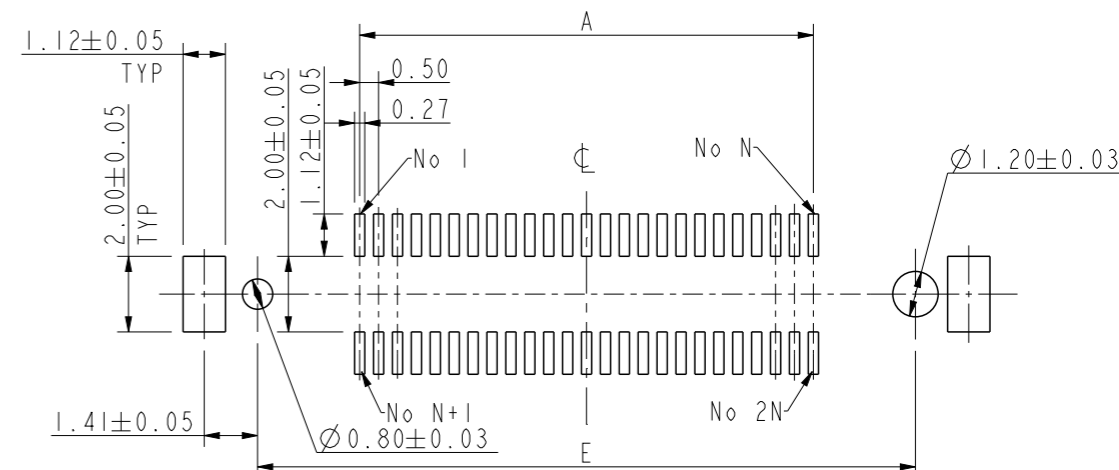
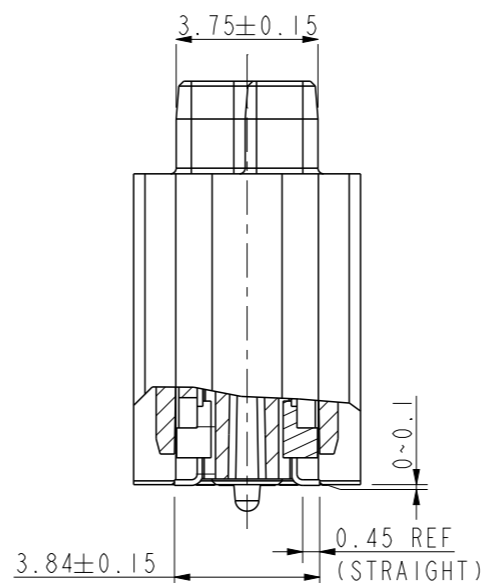
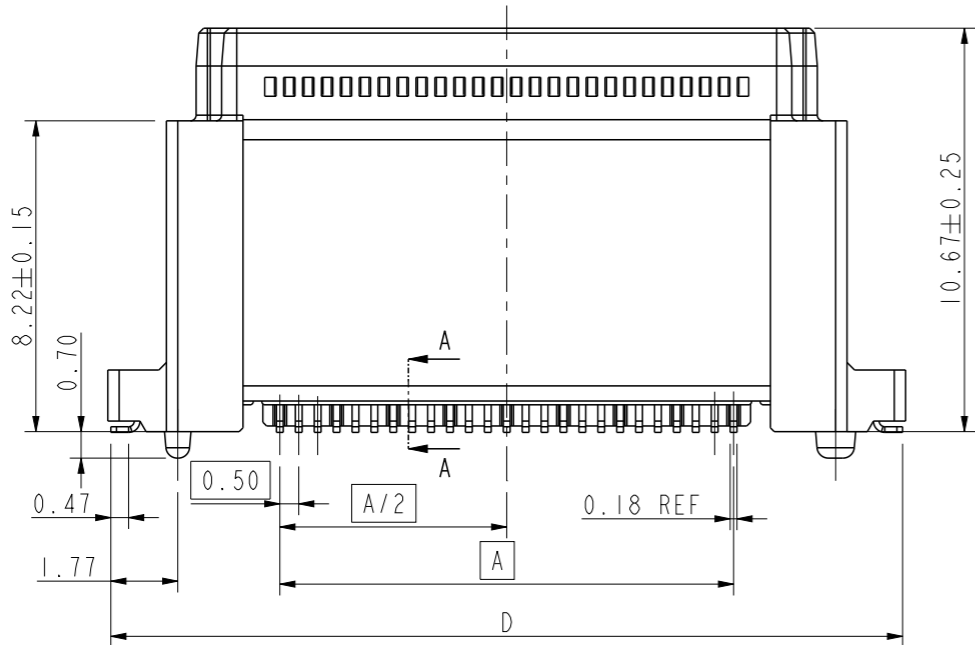
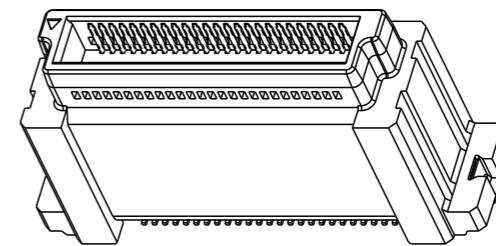
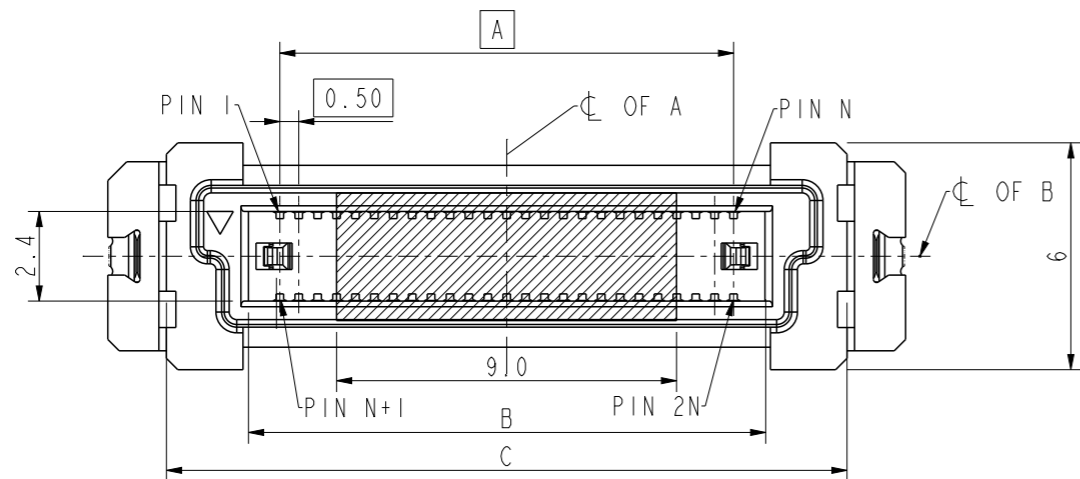


Product No	No of Cont	DIM "A"	DIM "B"	DIM "C"	DIM "D"	DIM "E"
10138650-05XXXXXLF	50	12.0	13.68	18.0	20.94	17.4



NOTE:

- MATERIAL:
 - HOUSING: HIGH TEMPERATURE RESIN, BLACK, UL94-V0;
 - TERMINAL: COPPER ALLOY;
 - HOLD DOWN: COPPER ALLOY;
 - CAPTON TAPE: POLYIMIDE.
- PLATING:
 - TERMINA: SEE SHEET 2 PLATING OPTION.
 - HOLD DOWN: NI UNDER PLATING, ALL OVER MATTE TIN
- SEE GS-12-1479 FOR PRODUCT SPEC.
- THE HOUSING WILL WITHSTAND EXPOSURE UP TO 260~ PEAK TEMPERATURE FOR 30 SECONDS IN A CONVECTION, INFRA-RED OR VAPOR PHASE REFLOW OVEN.
- ONLY 2X25PIN IS AVAILBLE.
- ALL SOLDER TAIL OF COMPLANARITY: 0.1 MAX

spec ref	-	dr	Li-Qing Lei	2019/07/19	projection	mm	size	A3	scale	3:1	
tolerance std	ISO 406 ISO 1101	eng	Bob Gu	2019/08/22			ecn no	-	rel level	Released	
TOLERANCES UNLESS OTHERWISE SPECIFIED		chr	-	-			product family				
surface	linear	0.X	±0.3	Amphenol FCI	PLUG ASSEMBLY		dwg no 10138650	rev		A	
		0.XX	±0.15		BERGSTAK HS 0.5MM			Product - Customer Drw		sheet 1 of 2	
	angular	0°	±2°		cat. no.						

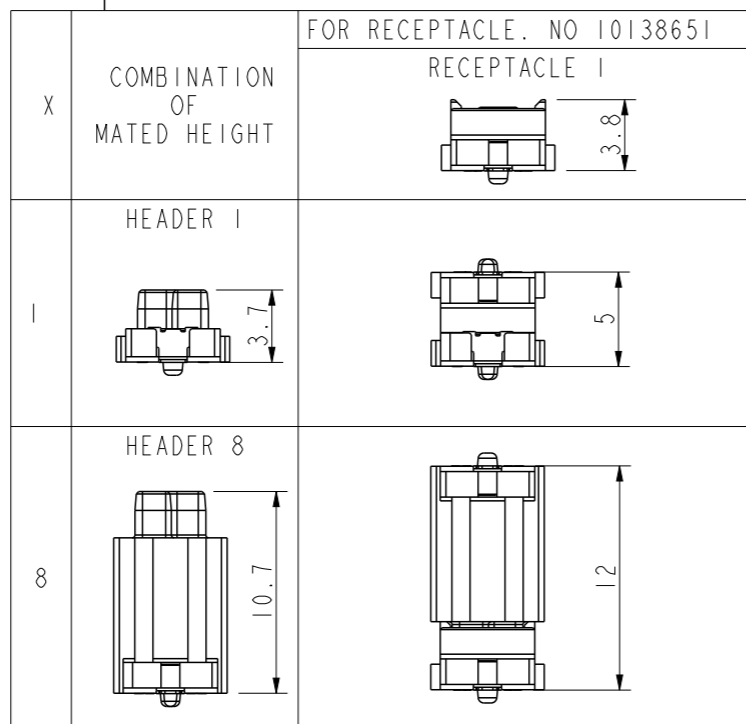
Amphenol FCI

© 2016 AFCI

PRODUCT NO.
SEE TABLE

10138650-XX XX XX XX XX LF

XX	POSITION
05	2X25



X	PIN ASSIGNMENT
S	SINGLE GND FOR 25Gbps
D	DOUBLE GND FOR 32Gbps

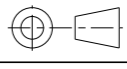
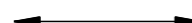
X	PACKAGING
0	TUBE
2	T&R

X	POLARIZATION PEG
0	YES

X	TERMINAL PLATING
2	GOLD 0.127umMIN. ON CONTACT AREA GOLD 0.05umMIN. ON SOLDER TAIL NICKEL UNDERPLATE OVERALL 0.75um MIN
4	GOLD 0.2umMIN. ON CONTACT AREA PURE TIN 2.5um MIN(LEAD FREE) ON SOLDER TAIL NICKEL UNDERPLATE OVERALL 0.75um MIN
5	GOLD 0.38umMIN. ON CONTACT AREA PURE TIN 2.5um MIN(LEAD FREE) ON SOLDER TAIL NICKEL UNDERPLATE OVERALL 0.75um MIN
6	GOLD FLASH OVER PALLADIUM-NICKEL 0.69um ON CONTACT AREA PURE TIN 2.5um MIN(LEAD FREE) ON SOLDER TAIL NICKEL UNDERPLATE OVERALL 0.75um MIN

PIN ASSIGNMENT(S)						
Pin 1						Pin N
G	S	S	G	S	S	G
G	S	S	G	S	S	G
Pin N+1						Pin 2N

PIN ASSIGNMENT(D)						
Pin 1						Pin N
S	S	G	G	S	S	G
G	G	S	S	G	G	S
Pin N+1						Pin 2N

spec ref	-	dr	Li-Qing Lei	2019/07/19	projection		size	A3	scale	3:1
tolerance std	ISO 406 ISO 1101	eng	Bob Gu	2019/08/22	mm		ecn no	-	rel level	Released
surface	linear	chr	-	-	product family	-	rel level	Released		
	angular	appr	Tim Yao	2019/08/22	PLUG ASSEMBLY		dwg no	10138650	rev	A
		TOLERANCES UNLESS OTHERWISE SPECIFIED		BERGSTAK HS 0.5MM		cat. no.	-	Product - Customer Drw	sheet 2 of 2	

Amphenol FCI

© 2016 AFCI