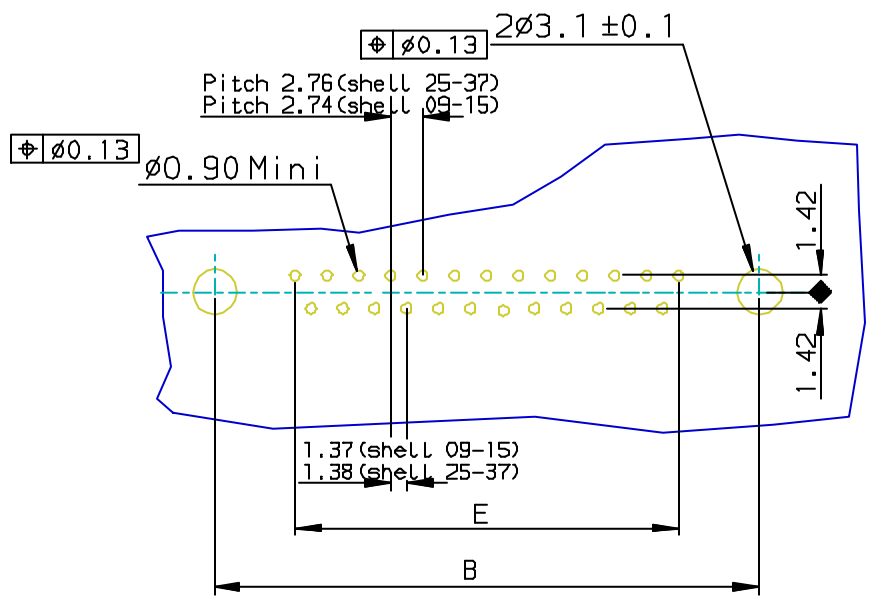


PC card drilling dimensions(after plating)
(thickness 1.60±0.20mm)



FOR ROHS DETAILS REFER DWG.NO:C01-8646-0000

European Views

SHELL	A±0.38	B±0.12	C±0.1	D±0.25	E±0.07	G±0.25	PART NUMBER	L/Qty
09	30.81	24.99	16.96	16.79	10.96	5.90	D09P33E6GV12*	44/130
15	39.14	33.32	25.18	25.12	19.18	5.90	D15P33E6GV12*	56/110
25	53.03	47.04	39.12	38.84	33.12	5.70	D25P33E6GV12*	72/110
37	69.32	63.50	55.68	55.30	49.68	5.70	---	---

REQUIREMENTS

Technical characteristics:
 Shell: steel tin/Zinc Cr3 plated
 Housings: self-extinguishing thermoplastic, UL Class B4V0 -high temperature
 Contacts: brass, 0.75µ gold over 2µ mini nickel on active area and flash to 1.5µ maxi SnPb over 1µ mini nickel on termination end
 Cycles: 500 mini
Accessories:
 Harpoon: phosphor bronze, tin plated
 Nuts: brass, tin /Zinc Cr3 plated
Electrical characteristics:
 max.current rating: 5A
 Test voltage: 1000V
 Rated voltage: 300V
 Contact resistance: <25mΩ
 Shell resistance: <5mΩ
 Insulation resistance: >5000MΩ
Climatic characteristics:
 Operating temperature range: -55°C +225°C
Dimensions:
 in accordance with MIL-C-24308B and DIN41652

LF FOR LEAD FREE

www.fciconnect.com		surface ISO 1302 ✓	tolerance std ISO 406 ISO 1101	projection mm
TOLERANCES UNLESS OTHERWISE SPECIFIED				
Dr	JOHN SLEEBA	1999/05/31	ANGULAR	0.X ±0.1
Eng	GEORGE VJ	1999/05/31	LINEAR	0.XX ±0.1
Chr	GEORGE VJ	2005/07/27	0.XX* ±1*	0.XXX ±0.1
Appr	KVSD	2005/07/27	Product family	D-SUB
title		MALE CONNECT.DELTA D right angle		size
catalog no		DELTA-D		A3
dwg no		C01-8646-0680		Scale
Rev.		D		1:1
CUSTOMER		sheet 1 of 1		

Copyright FCI