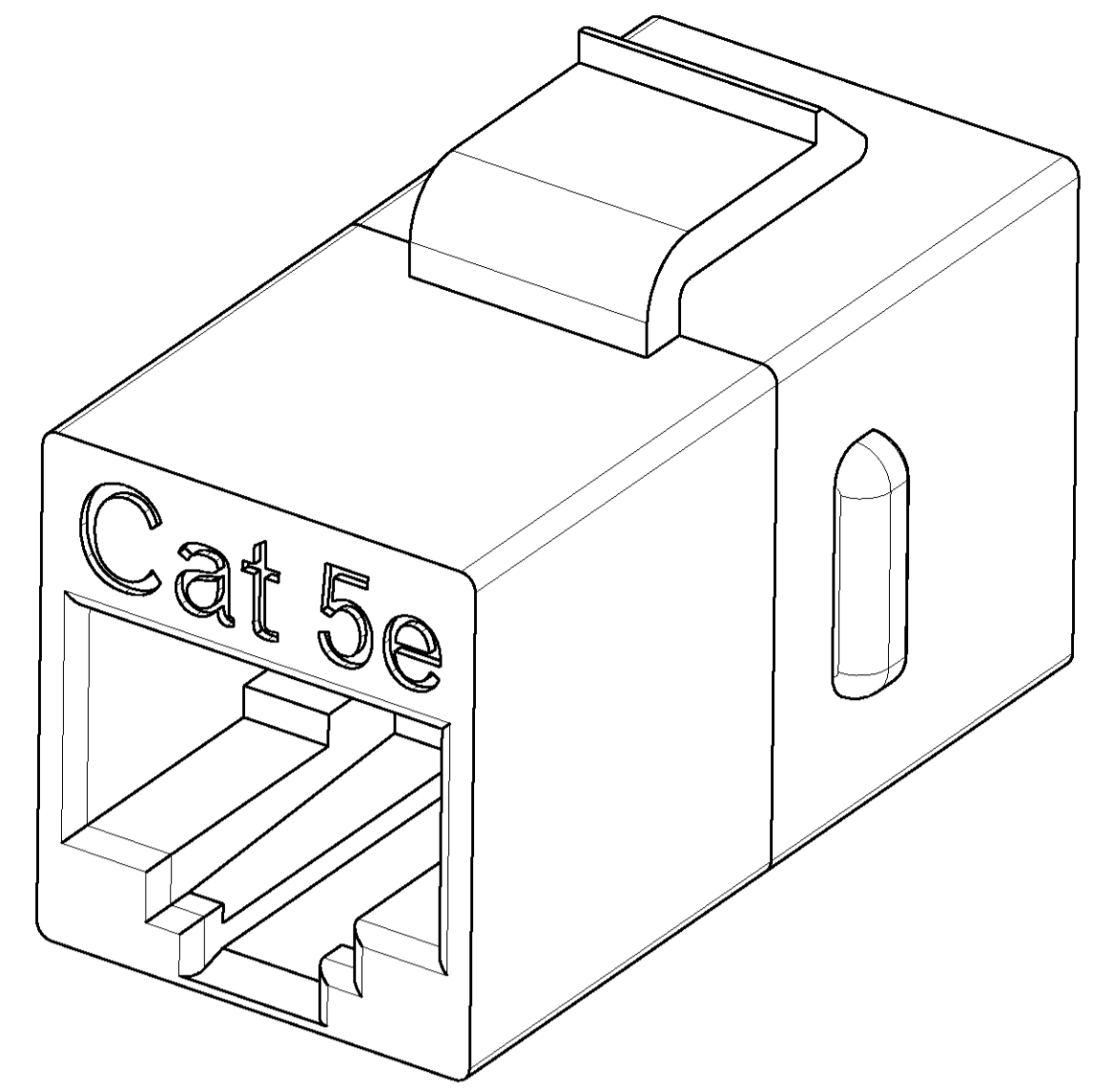
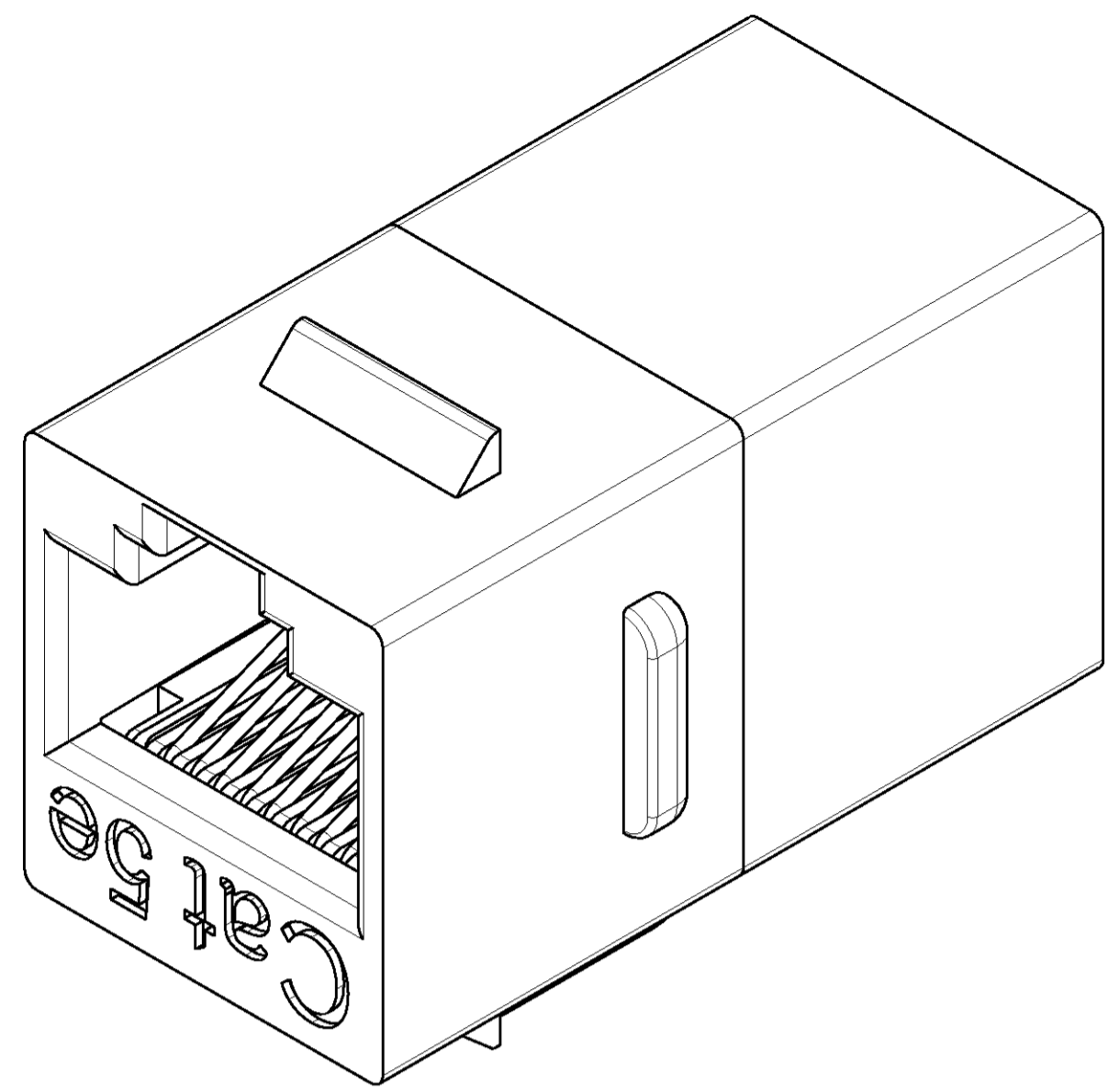


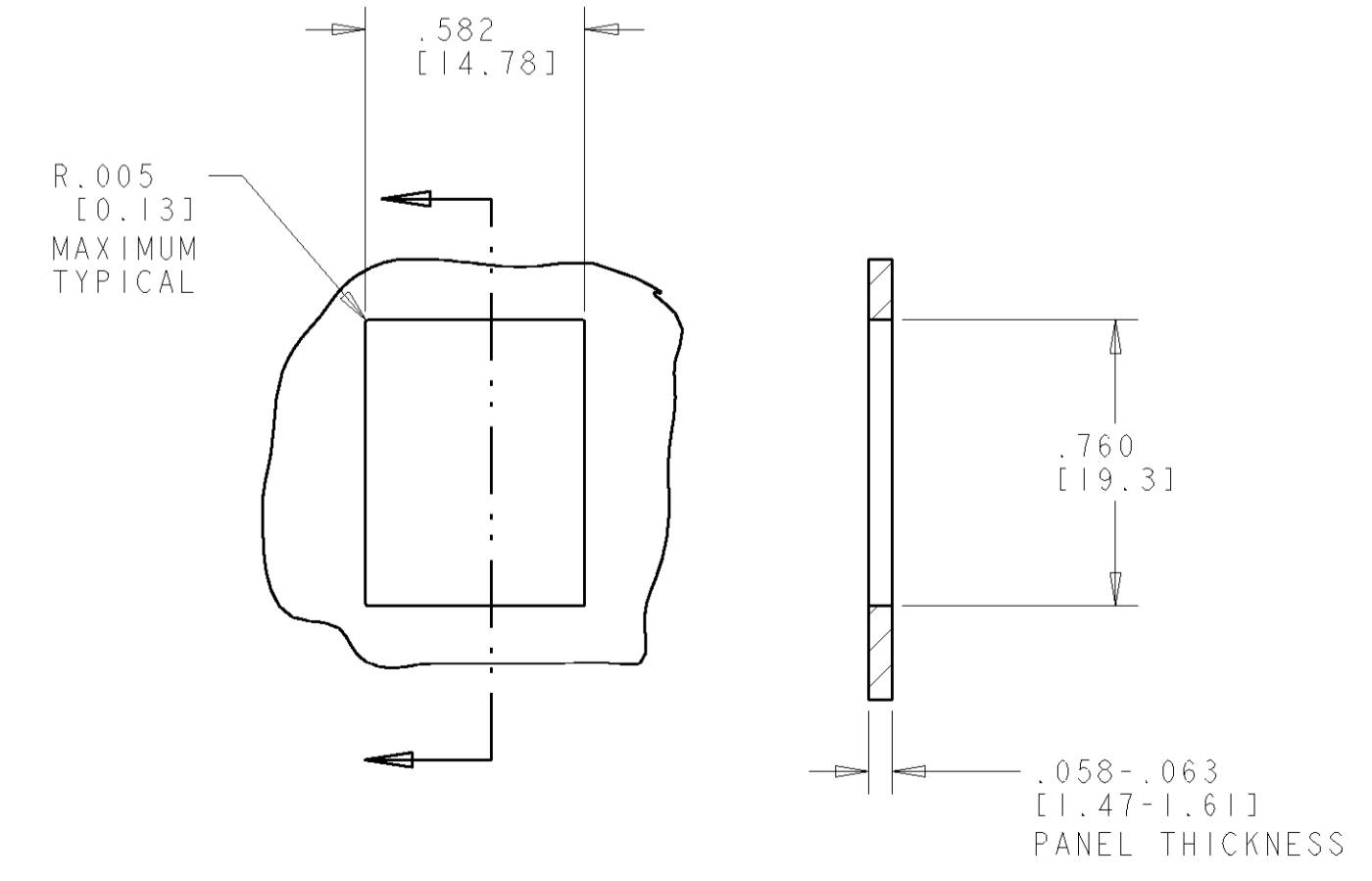
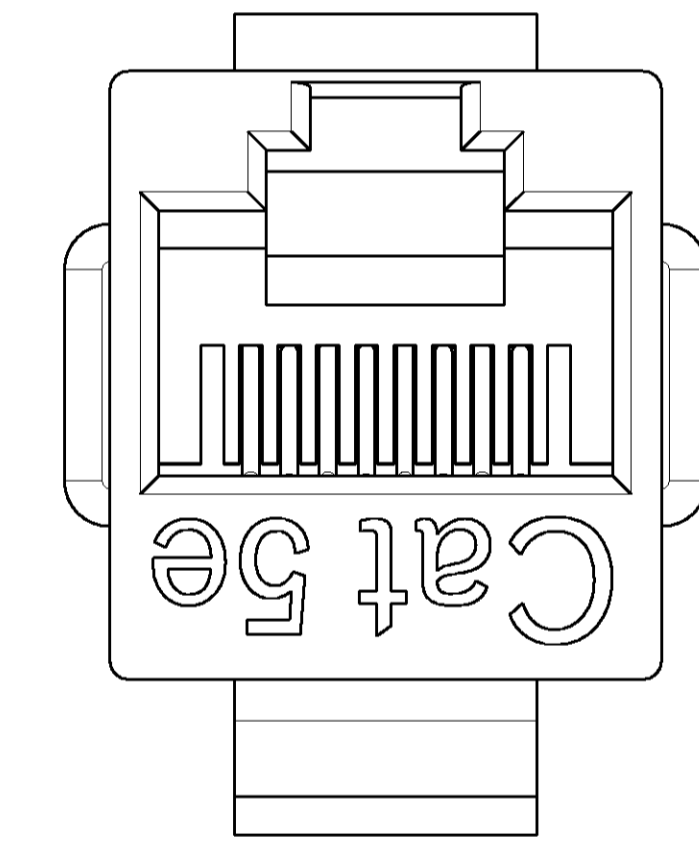
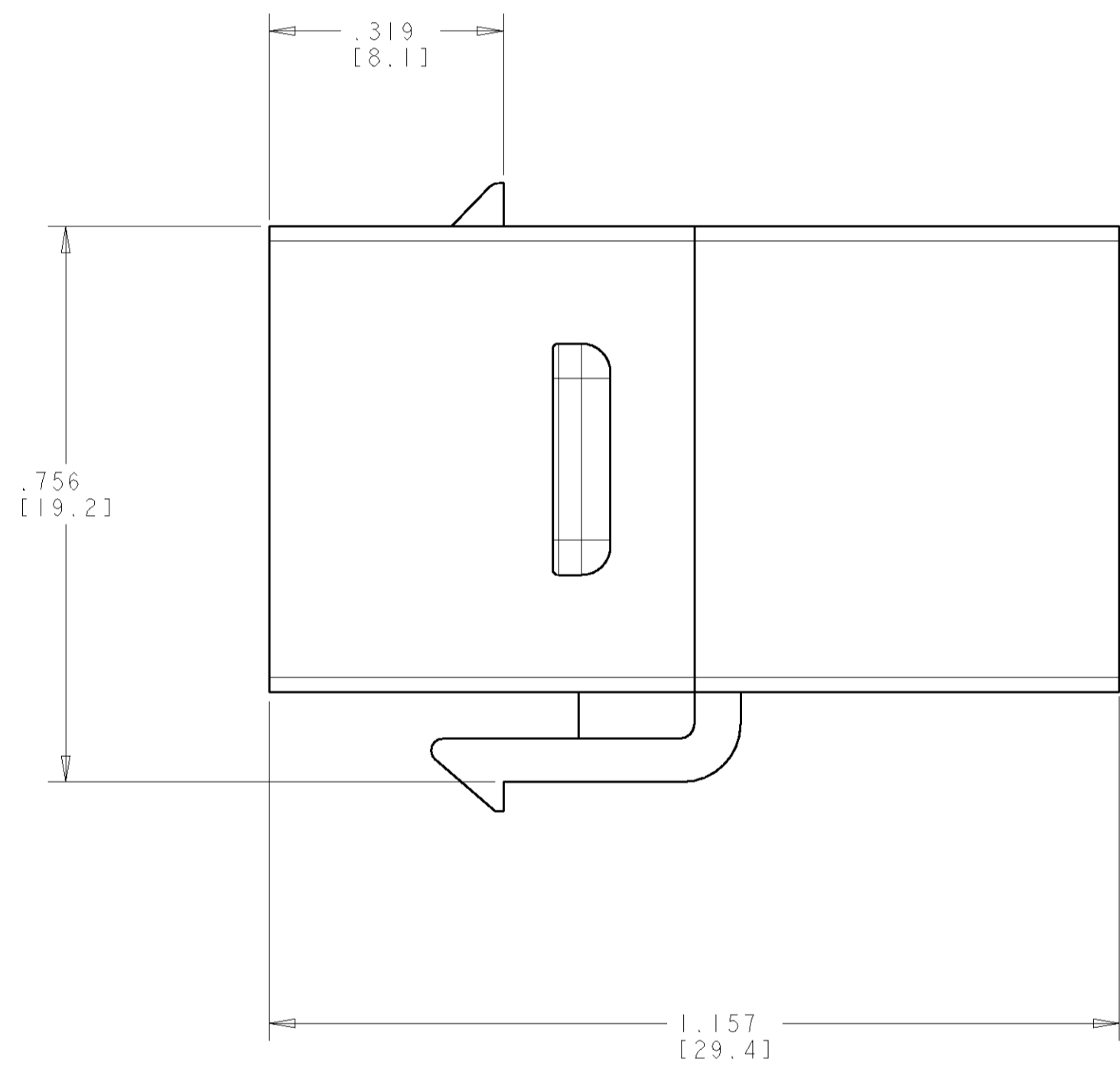
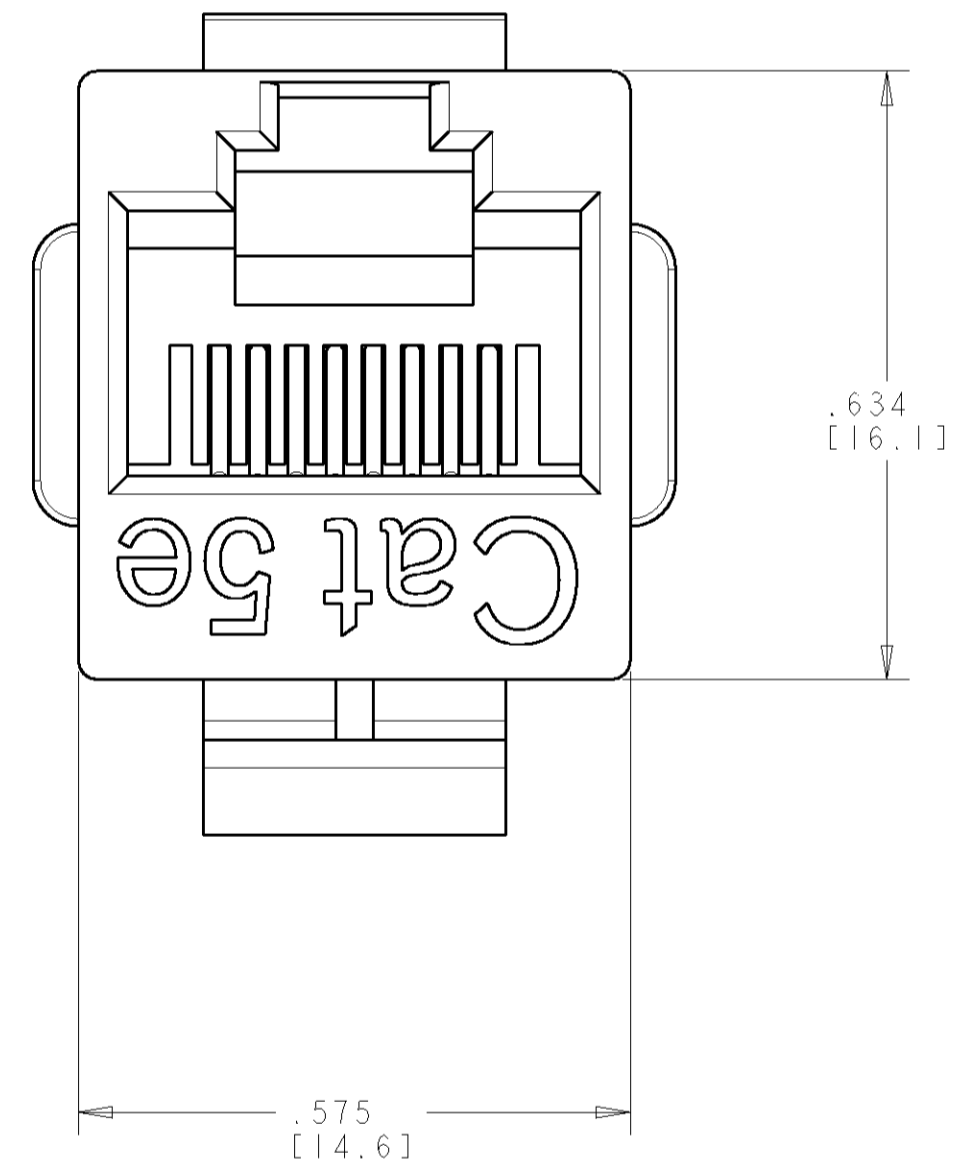
LOC		DIST		REVISIONS			
		P	LTR	DESCRIPTION	DATE	DWN	APPR
		A		RLSD: ECR-04-000282	06JAN2005	GG	SH
		B		ECR 05-005024	07JUL2005	JM	SH



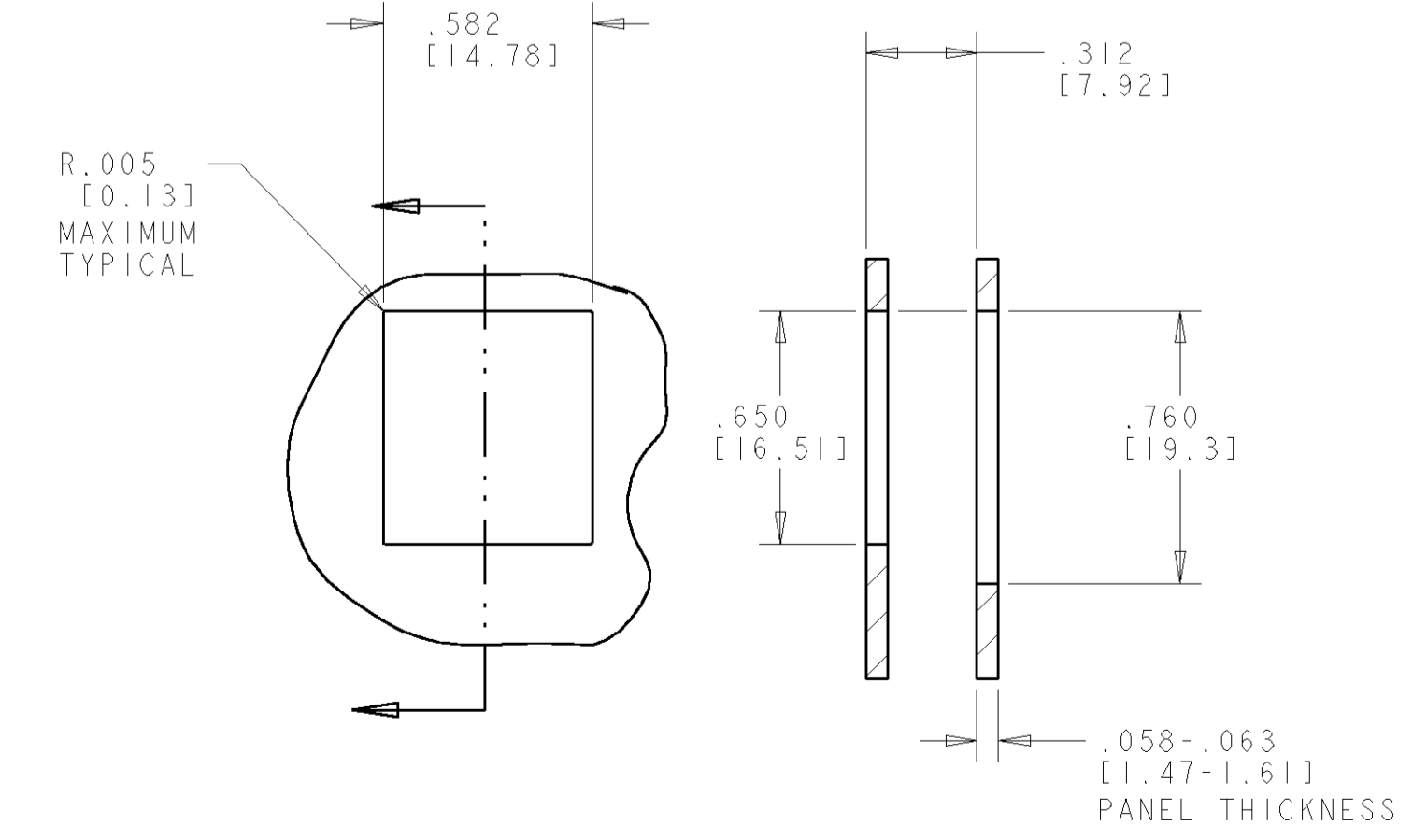
⚠ ALL DIMENSIONS SHOWN ARE NOMINAL UNLESS OTHERWISE SPECIFIED.

⚠ MATERIAL:  
 HOUSING - POLYPHENYLENE OXIDE, BLACK.  
 TERMINAL - .018[0.46] DIA PHOSPHOR BRONZE PLATED WITH .000050 [.00127] MINIMUM THICK GOLD OVER .000100 [.00254] MINIMUM THICK NICKEL.

3. MOUNTING PANEL THICKNESS .062 [1.57] NOMINAL.



SINGLE PANEL CUTOUT



SUGGESTED FLUSH MOUNT PANEL APPLICATION CUTOUT

1479289-2  
 PART NUMBER

DIMENSIONS: INCHES (MM)		TOLERANCES UNLESS OTHERWISE SPECIFIED:		DWN: G GARRETT 06JAN05 CDR: S HERNDON 06JAN05 APPR: S HERNDON 06JAN05		<b>tyco</b> Tyco Electronics Electronics Harrisburg, PA 17105-8608	
0 PLC	±	±	±	NAME		COUPLER, IN-LINE, CAT5E, BLACK, UNSHIELDED	
1 PLC	±	±	±	PRODUCT SPEC		NOT the LATEST REVISION	
2 PLC	±	±	±	APPLICATION SPEC		RESTRICTED TO	
3 PLC	±	±	±	WEIGHT		A   00779   C=1479289	
4 PLC	±	±	±	CUSTOMER DRAWING		SCALE: 2:1 SHEET 1 OF 1 REV B	
ANGLES	±	±	±				
MATERIAL		FINISH					