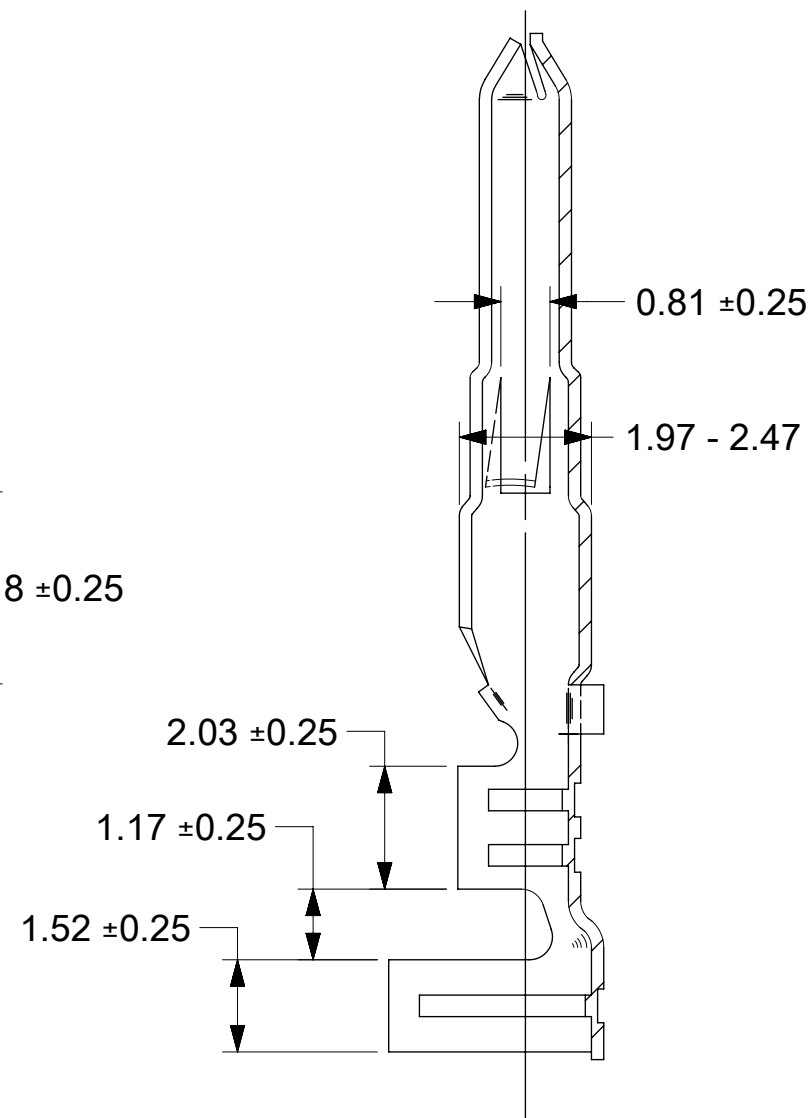
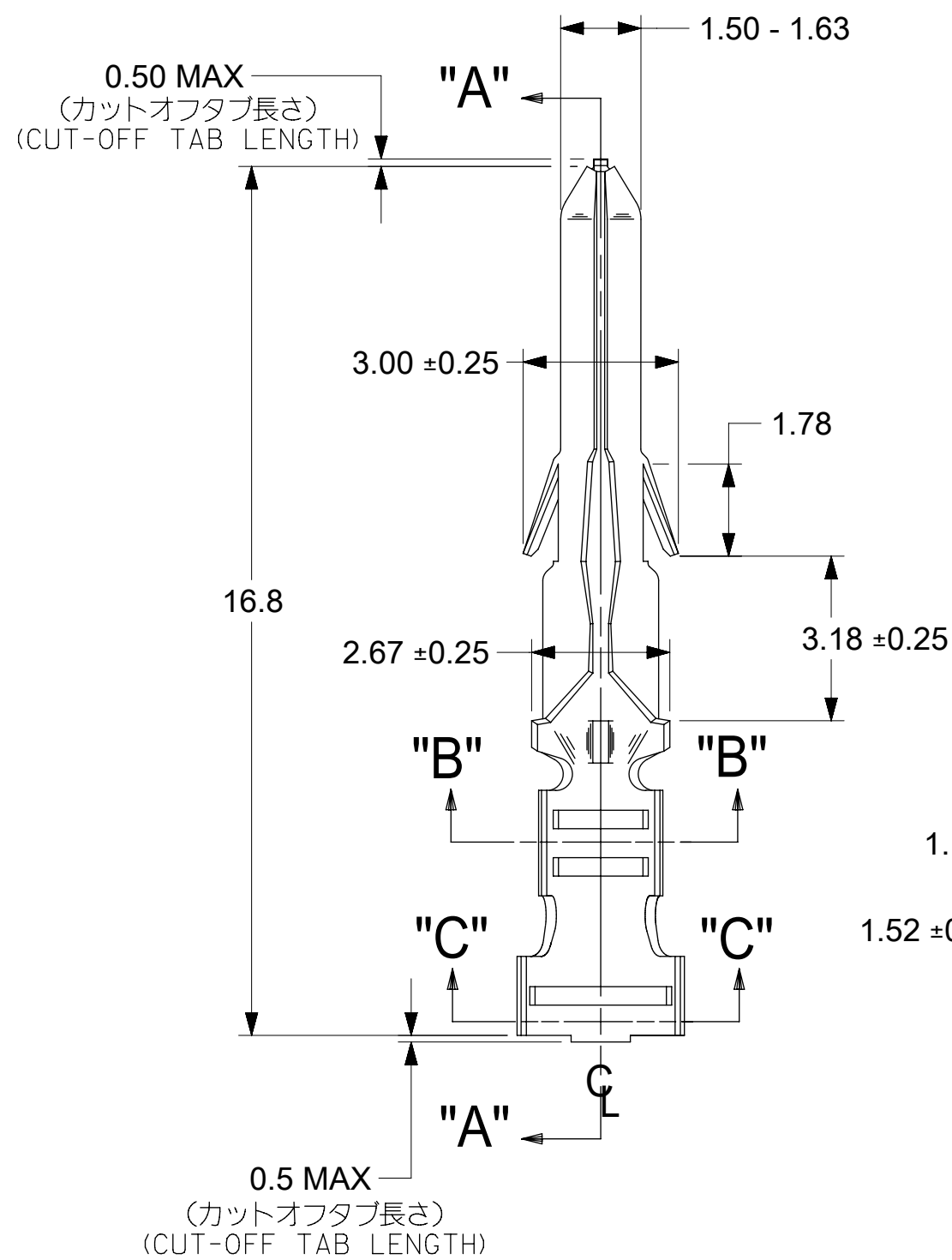
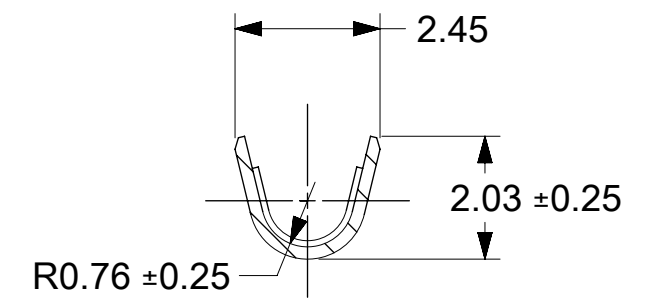


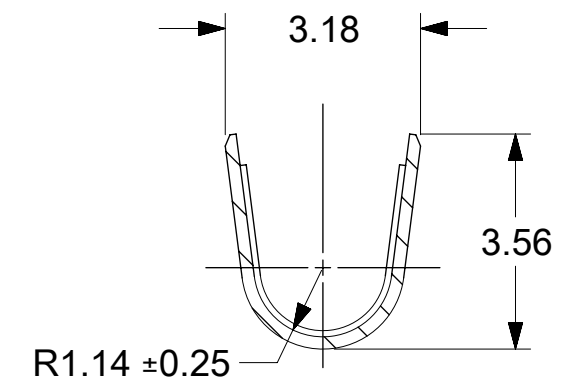
CHAIN FORM
SCALE: 4:1



SECT. "A-A"



SECT. "B-B"



SECT. "C-C"

注記 NOTES:

一般公差 : ±0.4
GENERAL TOLERANCES: ±0.4

1. MATERIAL: BRASS
2. FINISH: SEE CHART
3. PRODUCT SPECIFICATION: PS-02-06
4. PACKAGING INFORMATION: 15600000-PK
5. TERMINAL FOR USE WITH (1.57)/.062 DIA. SERIES HOUSINGS AND WILL ACCEPT 18 THRU 24 AWG WIRE WITH 1.5/3.1 INSULATION DIA.
6. PARTS CONFORM TO CLASS B REQUIREMENTS OF COSMETIC SPECIFICATION PS-45499-002.

| | | | |
|---|------------|---------|----------------|
| 銅 (0.5 μm MIN.) 下地 錫 (0.9 μm MIN.) TIN (0.9 μm MIN.) OVER COPPER (0.5 μm MIN.) | 39-00-0278 | 1560T | 連鎖状端子 CHAIN |
| メッキ PLATING | EDP.NO. | ENG.NO. | 形状 FORM |

| | | |
|----------------------|-------------|-------|
| 材料 MATERIAL | 黄銅 BRASS | 0.2 t |
| 仕上げ FINISH | — | |
| 適用電線範囲 WIRE RANGE | AWG# 18-#24 | |
| 被覆外径 INS. RANGE | φ 1.5~3.1 | |

| | | | |
|---|---------|--|--------------------------------|
| THIS DRAWING CONTAINS INFORMATION THAT IS PROPRIETARY TO MOLEX ELECTRONIC TECHNOLOGIES, LLC AND SHOULD NOT BE USED WITHOUT WRITTEN PERMISSION | | | |
| DIMENSION UNITS | SCALE | CURRENT REV DESC: OBSOLETE PART NUMBER AS PER PCN#509988 | |
| mm | 8:1 | | |
| GENERAL TOLERANCES (UNLESS SPECIFIED) | | | |
| ANGULAR TOL | ± | ° | |
| 4 PLACES | ± | EC NO: 704776 | |
| 3 PLACES | ± | DRWN: SUGEEB 2022/03/29 | |
| 2 PLACES | ± | CHK'D: GGA 2022/05/24 | |
| 1 PLACE | ± | APPR: GGA 2022/05/24 | |
| 0 PLACES | ± | INITIAL REVISION: | |
| DRAFT WHERE APPLICABLE MUST REMAIN WITHIN DIMENSIONS | | DRWN: NAKAMURAA 2008/12/16 | 2009/01/15 |
| THIRD ANGLE PROJECTION | DRAWING | SERIES | DOCUMENT NUMBER |
| | C-SIZE | 1560 | SD-1560-001 |
| MATERIAL NUMBER | | CUSTOMER | DOC TYPE DOC PART REVISION |
| SEE TABLE | | GENERAL MARKET | PSD 001 M1 |
| SHEET NUMBER | | 1 OF 1 | |

molex

0.62 DIA CRIMP MALE TERM

PRODUCT CUSTOMER DRAWING