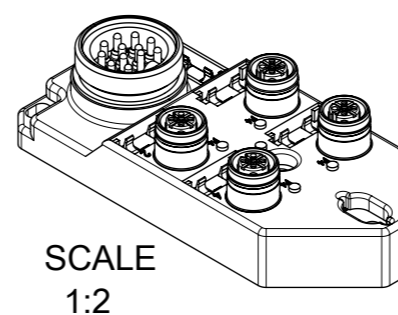
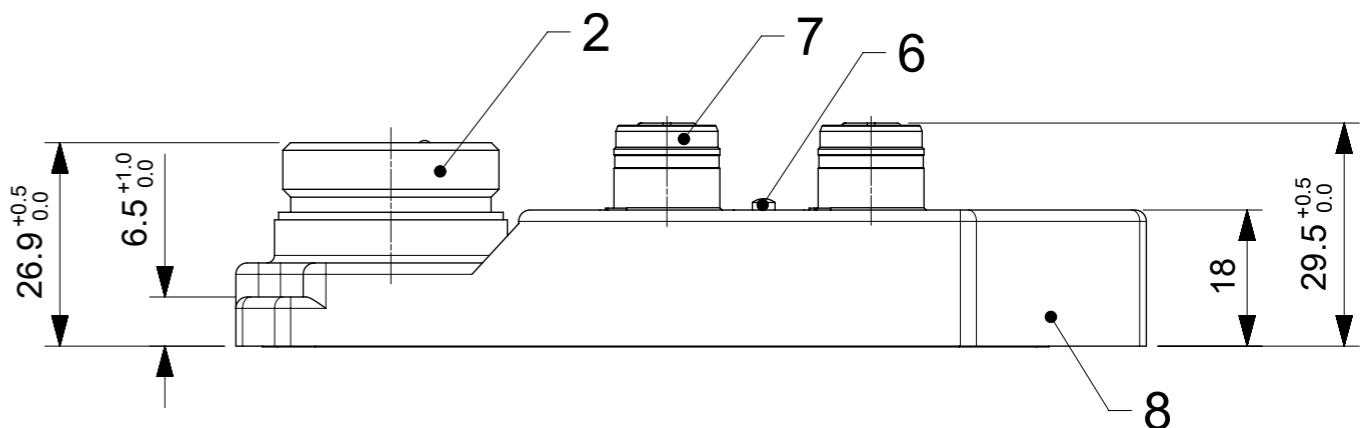
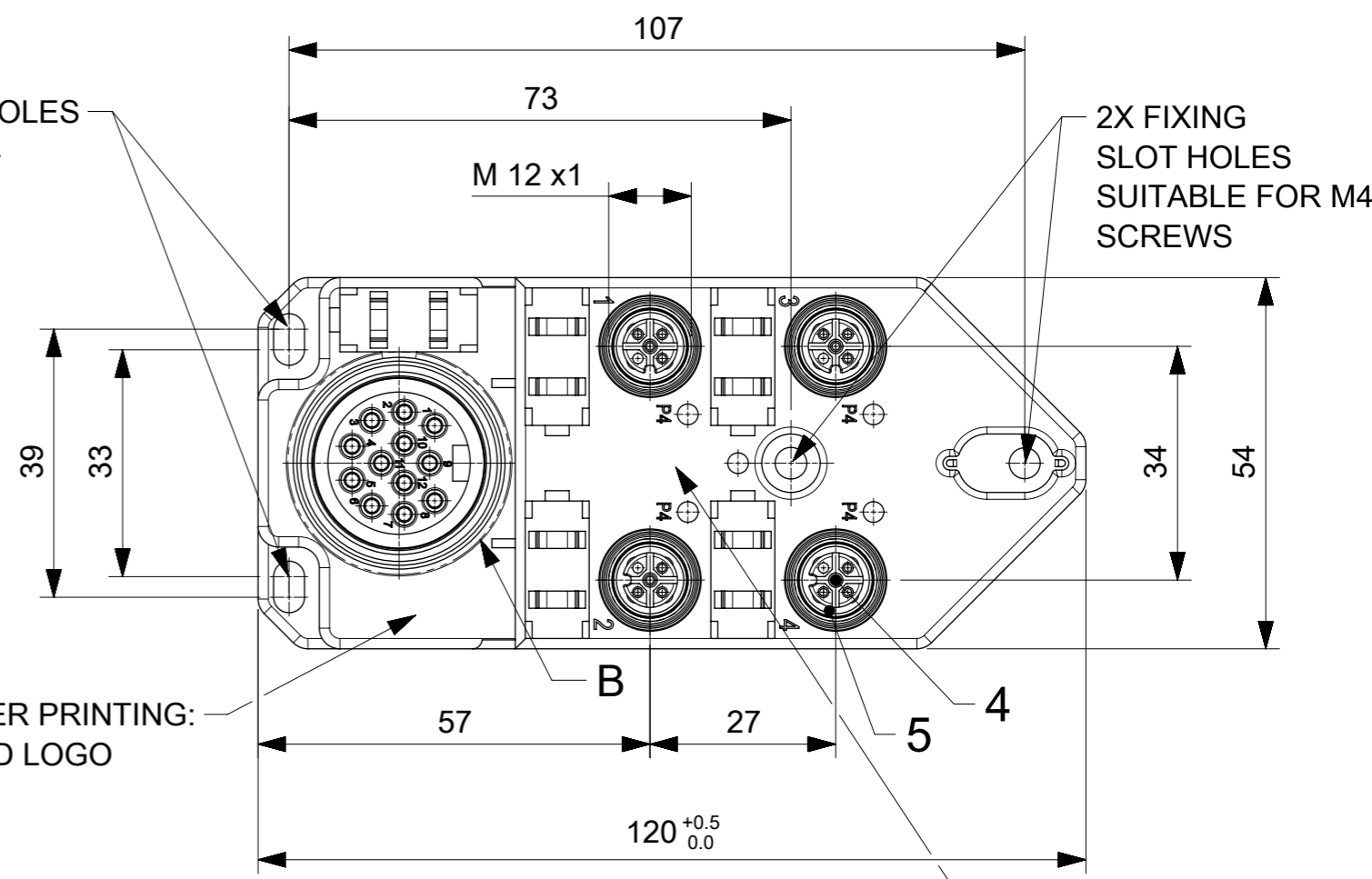
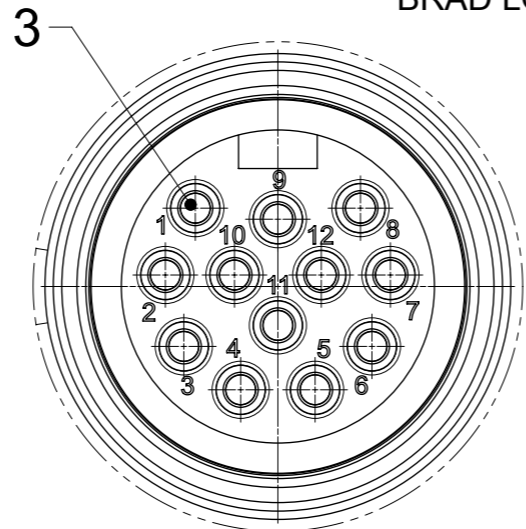
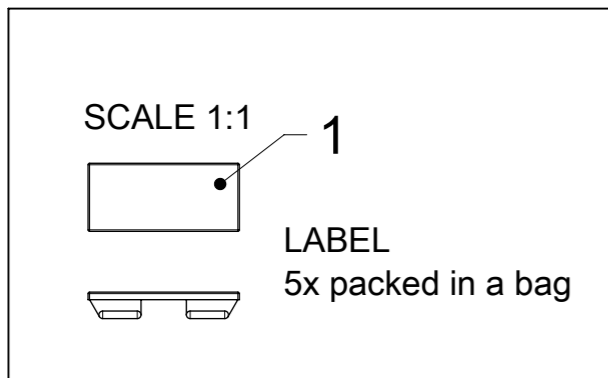


TABLE 1

MOLEX P/N	ENG. NO.	LED
1202510079	BKB4010-FBB	NO
1202510080	BKB401P-FBB	YES
1202510081	BKB401N-FBB	YES

TABLE 2 BILL OF MATERIAL

ITEM	DESCRIPTION	MATERIAL	FINISH
1	LABEL	ABS	WHITE
2	SHELL	BRASS	NICKEL PLATED
3	CONTACT	BRASS	GOLD OVER NICKEL
4	CONTACT	BRONZE	GOLD OVER NICKEL
5	O-RING	FPM	RED
6	LED	NO LED = PA	BLACK
		WITH LED = PA	TRANSPARENT
7	SHELL	BRASS	NICKEL PLATED
8	HOUSING	PBT	BLACK



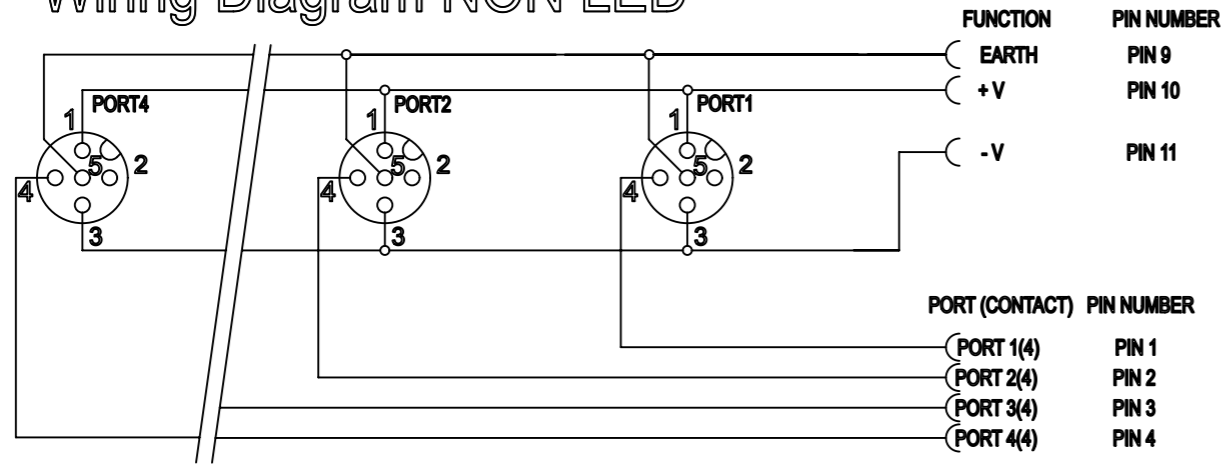
GENERAL CHARACTERISTICS:

ELECTRICAL AND MECHANICAL DATA ACC. TO IEC 61076-2-101

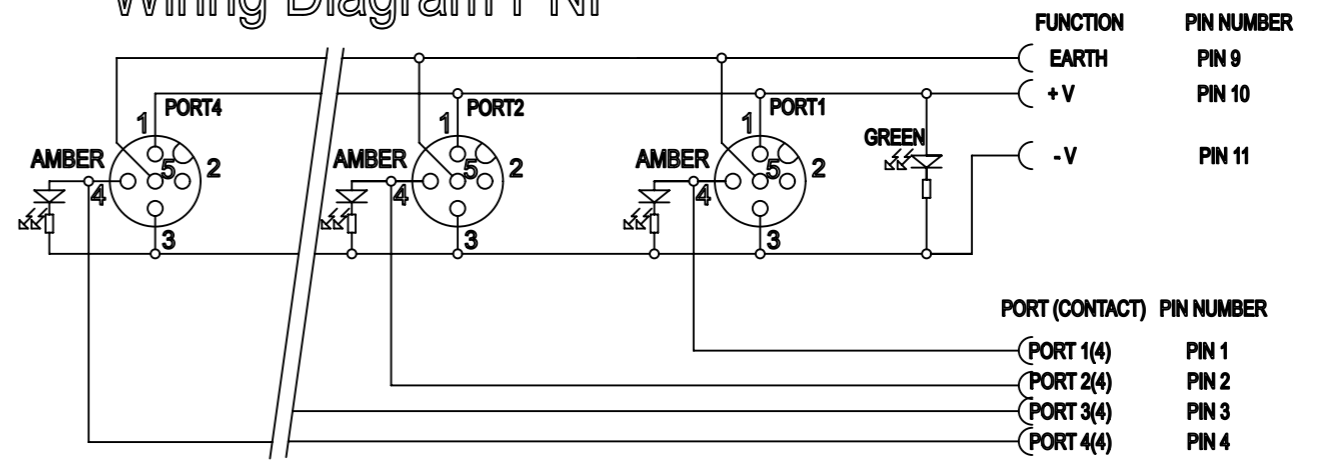
NOMINAL VOLTAGE: 10-30 V DC
 AMPERE RATING: 4 A PER PORT / 12 A MAX
 AMPERE RATING WITH UL REGISTRATION: 3 A PER PORT / 9 A MAX
 IP DEGREE OF PROTECTION: IP 67
 TEMPERATURE RANGE: -25°C to + 85°C

SYMBOLS		THIS DRAWING CONTAINS INFORMATION THAT IS PROPRIETARY TO MOLEX ELECTRONIC TECHNOLOGIES, LLC AND SHOULD NOT BE USED WITHOUT WRITTEN PERMISSION		CURRENT REV DESC:			molex		
▽ = 0	mm	SCALE	1:1	EC NO: 630686			MPIS U12 NON 4P 4PT MINI CHANGE BK SINGL		
▽ = 0	GENERAL TOLERANCES (UNLESS SPECIFIED)			DRWN: SSM	2018/12/13				
▽ = 0	ANGULAR TOL ± 1.0°			CHK'D: RSILLER	2020/01/17		PRODUCT CUSTOMER DRAWING		
▽ = 0	4 PLACES	±		APPR: RSILLER	2020/01/17		DOCUMENT NUMBER		
▽ = 0	3 PLACES	±		INITIAL REVISION:			1202510079		
▽ = 0	2 PLACES	± 0.05		DRWN: SSM	2018/12/13		DOC TYPE	DOC PART	REVISION
▽ = 0	1 PLACE	± 0.3		APPR: RSILLER	2020/01/17		PSD	000	A
▽ = 0	0 PLACES	± 0.5		DRAFT WHERE APPLICABLE MUST REMAIN WITHIN DIMENSIONS			MATERIAL NUMBER	CUSTOMER	SHEET NUMBER
▽ = 0	THIRD ANGLE PROJECTION			DRAWING	SERIES	120251	SEE TABLE 1	GENERAL MARKET	1 OF 2

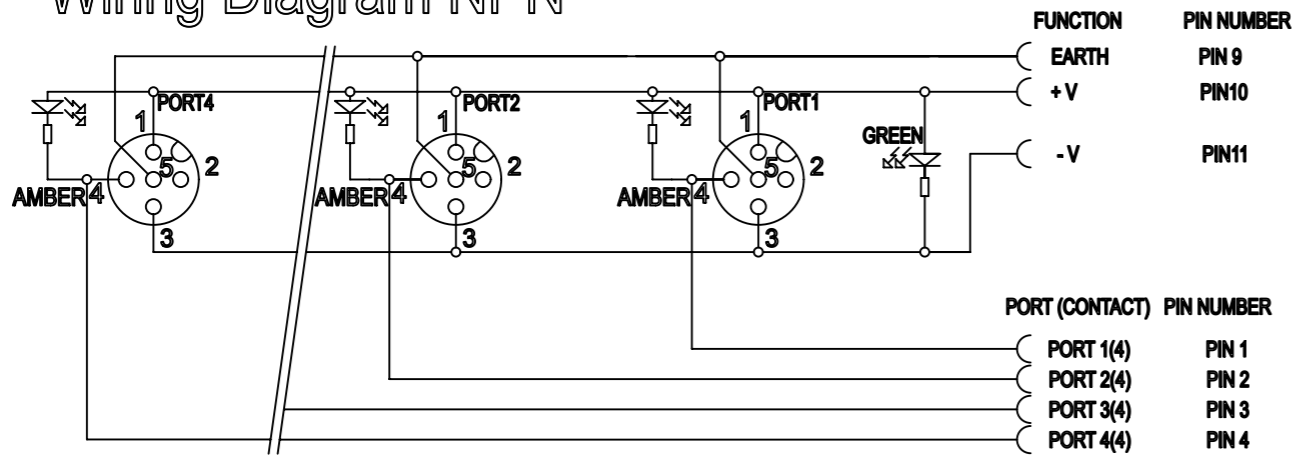
Wiring Diagram NON LED



Wiring Diagram PNP



Wiring Diagram NPN



SYMBOLS	THIS DRAWING CONTAINS INFORMATION THAT IS PROPRIETARY TO MOLEX ELECTRONIC TECHNOLOGIES, LLC AND SHOULD NOT BE USED WITHOUT WRITTEN PERMISSION				
	DIMENSION UNITS	SCALE			
▽ = 0	mm	1:1	EC NO: 630686		
▽ = 0	GENERAL TOLERANCES (UNLESS SPECIFIED)		DRWN: SSM 2018/12/13		
▽ = 0	ANGULAR TOL ± 1.0°		CHK'D: RSILLER 2020/01/17		
▽ = 0	4 PLACES ±		APPR: RSILLER 2020/01/17		
▽ = 0	3 PLACES ±		INITIAL REVISION:		
▽ = 0	2 PLACES ± 0.05		DRWN: SSM 2018/12/13		
▽ = 0	1 PLACE ± 0.3		APPR: RSILLER 2020/01/17		
▽ = 0	0 PLACES ± 0.5		DOCUMENT NUMBER		
□ = 0	DRAFT WHERE APPLICABLE MUST REMAIN WITHIN DIMENSIONS		1202510079		
▽ = 0	THIRD ANGLE PROJECTION	DRAWING	SERIES	MATERIAL NUMBER	CUSTOMER
		A3-SIZE	120251	SEE TABLE 1	GENERAL MARKET
				DOC TYPE	DOC PART
				PSD	000
				REVISION	A
				SHEET NUMBER	2 OF 2