



30mm BlackMax, Epoxy Coated Corrosion Resistant Complete Metal Unit
Illuminated Twist-to-Release Full Voltage, 24V AC/DC LED Lamp Mushroom Head
Cap Small 1.79" (45 mm) Plastic Cap, Green 2 Position Maintained, Twist-to-Release with 1 N.O. - 1 N.C. Heavy Duty Contacts, A600/P600 UL Listed, CSA Certified NEMA 1,3,3R,4,4X,12,13 & Automotive Standards

| Enclosure | |
|---|-----------------------------|
| number of command points | 1 |
| delivery state as a kit | No |
| Actuator | |
| product extension optional light source | Yes |
| material of the actuating element | plastic |
| number of contact modules | 1 |
| type of unlocking device | rotate-to-unlatch mechanism |
| number of switching positions | 2 |
| Front ring | |
| product component front ring | Yes |
| design of the front ring | standard |
| material of the front ring | metal |
| color of the front ring | black |
| Holder | |
| material of the holder | metal |
| Contact block/ lampholder | |
| number of lampholders | 1 |
| Display | |
| number of LED modules | 1 |
| General technical data | |
| product function positive opening | Yes |
| product component | |
| • lamp transformer | No |
| • light source | Yes |
| type of voltage | |
| • of the operating voltage | AC/DC |
| • of the input voltage | AC/DC |
| surge voltage resistance rated value | 4 kV |
| protection class IP | IP66 |
| • of the terminal | IP20 |
| thermal current | 10 A |
| Supply voltage | |
| type of voltage of the supply voltage of the light source | AC/DC |
| supply voltage of the light source at AC at 60 Hz | |
| • rated value | 28 ... 24 V |
| supply voltage of the light source at DC | |
| • rated value | 28 ... 24 V |
| Auxiliary circuit | |
| number of NC contacts for auxiliary contacts | 1 |

| | |
|--|------|
| number of NO contacts for auxiliary contacts | 1 |
| operational current at AC-15 | |
| • at 110 V rated value | 60 A |
| • at 230 V rated value | 30 A |
| • at 400 V rated value | 15 A |
| • at 500 V rated value | 12 A |

Connections/ Terminals

| | |
|--|----------------------|
| type of electrical connection | screw-type terminals |
| tightening torque of the screws in the bracket | 20 N·m |
| tightening torque [lbf·in] with screw-type terminals | 8 ... 8 lbf·in |

Lamp

| | |
|---------------------------|-------|
| color of the light source | green |
|---------------------------|-------|

Ambient conditions

| | |
|---------------------|----------------|
| ambient temperature | |
| • during operation | -35 ... +70 °C |
| • during storage | -40 ... +85 °C |

Installation/ mounting/ dimensions

| | |
|-----------------------------------|-------|
| shape of the installation opening | round |
|-----------------------------------|-------|

Certificates/ approvals

Further information

Siemens has decided to exit the Russian market (see here).

<https://press.siemens.com/global/en/pressrelease/siemens-wind-down-russian-business>

Siemens is working on the renewal of the current EAC certificates.

Please contact your local Siemens office on the status of validity of the EAC certification if you intend to import or offer to supply these products to an EAC relevant market (other than the sanctioned EAEU member states Russia or Belarus).

Information on the packaging

<https://support.industry.siemens.com/cs/ww/en/view/109813875>

Information- and Downloadcenter (Catalogs, Brochures,...)

<https://www.siemens.com/ic10>

Industry Mall (Online ordering system)

<https://mall.industry.siemens.com/mall/en/en/Catalog/product?mlfb=US2:52BR8DSAB>

Cax online generator

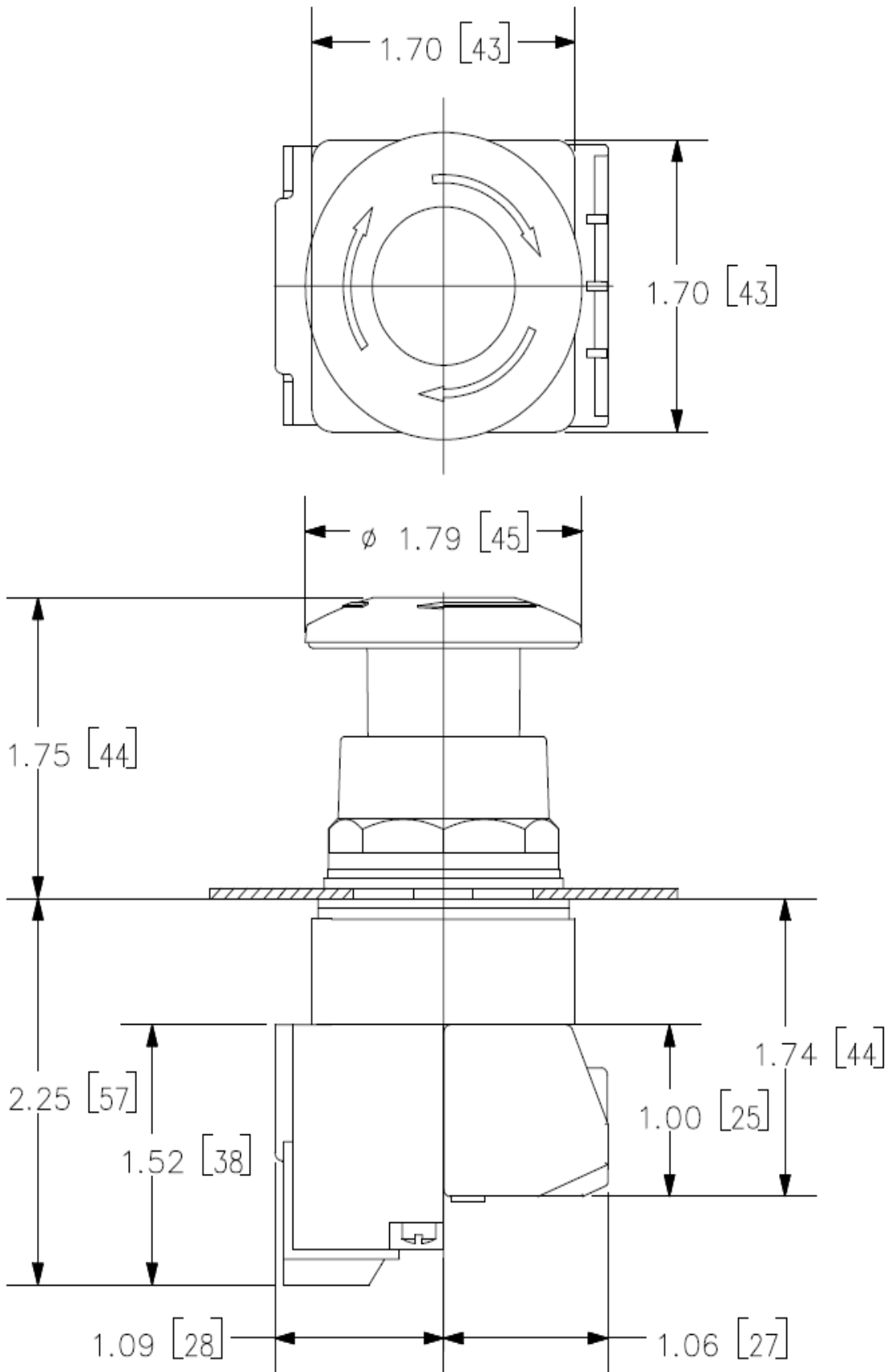
<http://support.automation.siemens.com/WW/CAXorder/default.aspx?lang=en&mlfb=US2:52BR8DSAB>

Service&Support (Manuals, Certificates, Characteristics, FAQs,...)

<https://support.industry.siemens.com/cs/ww/en/ps/US2:52BR8DSAB>

Image database (product images, 2D dimension drawings, 3D models, device circuit diagrams, EPLAN macros, ...)

http://www.automation.siemens.com/bilddb/cax_de.aspx?mlfb=US2:52BR8DSAB&lang=en



last modified:

5/31/2021