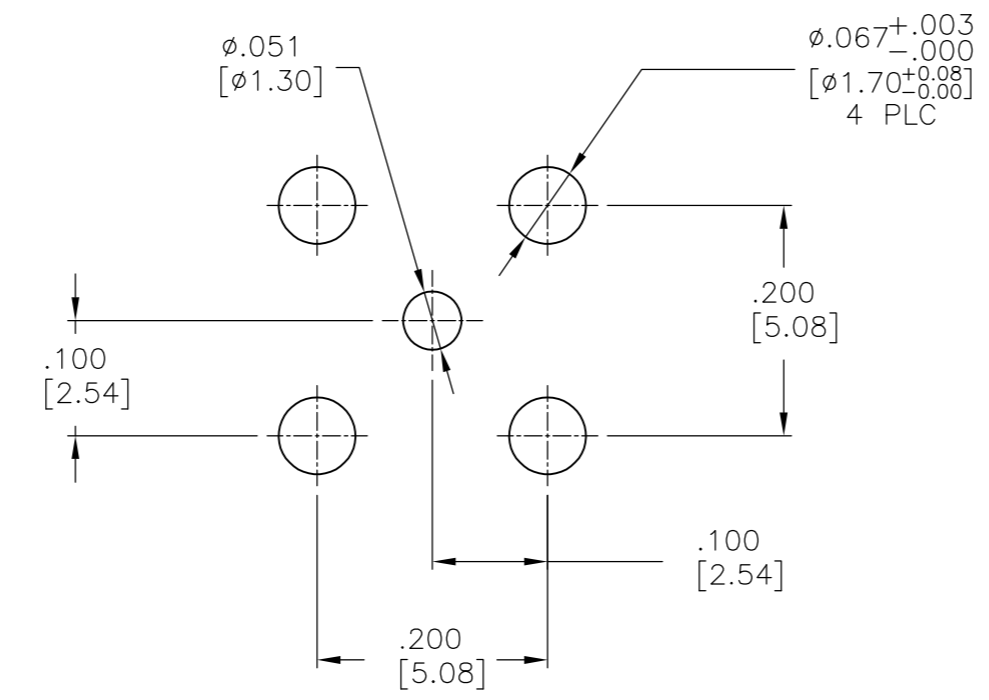
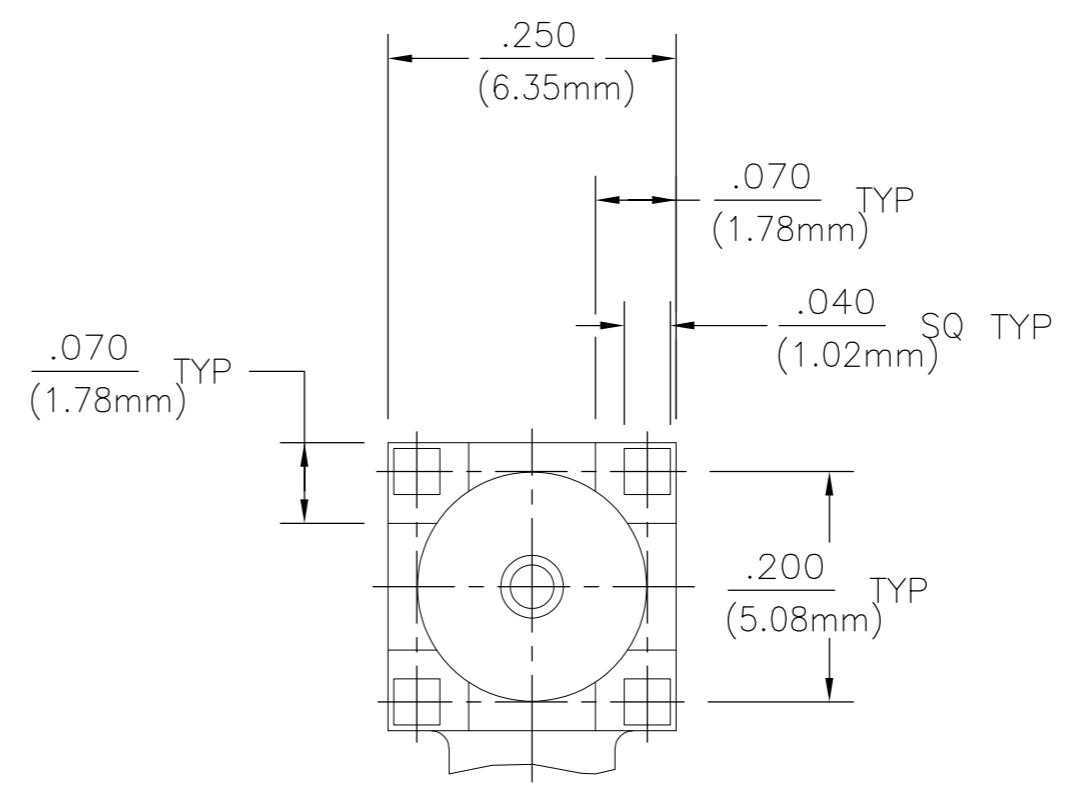
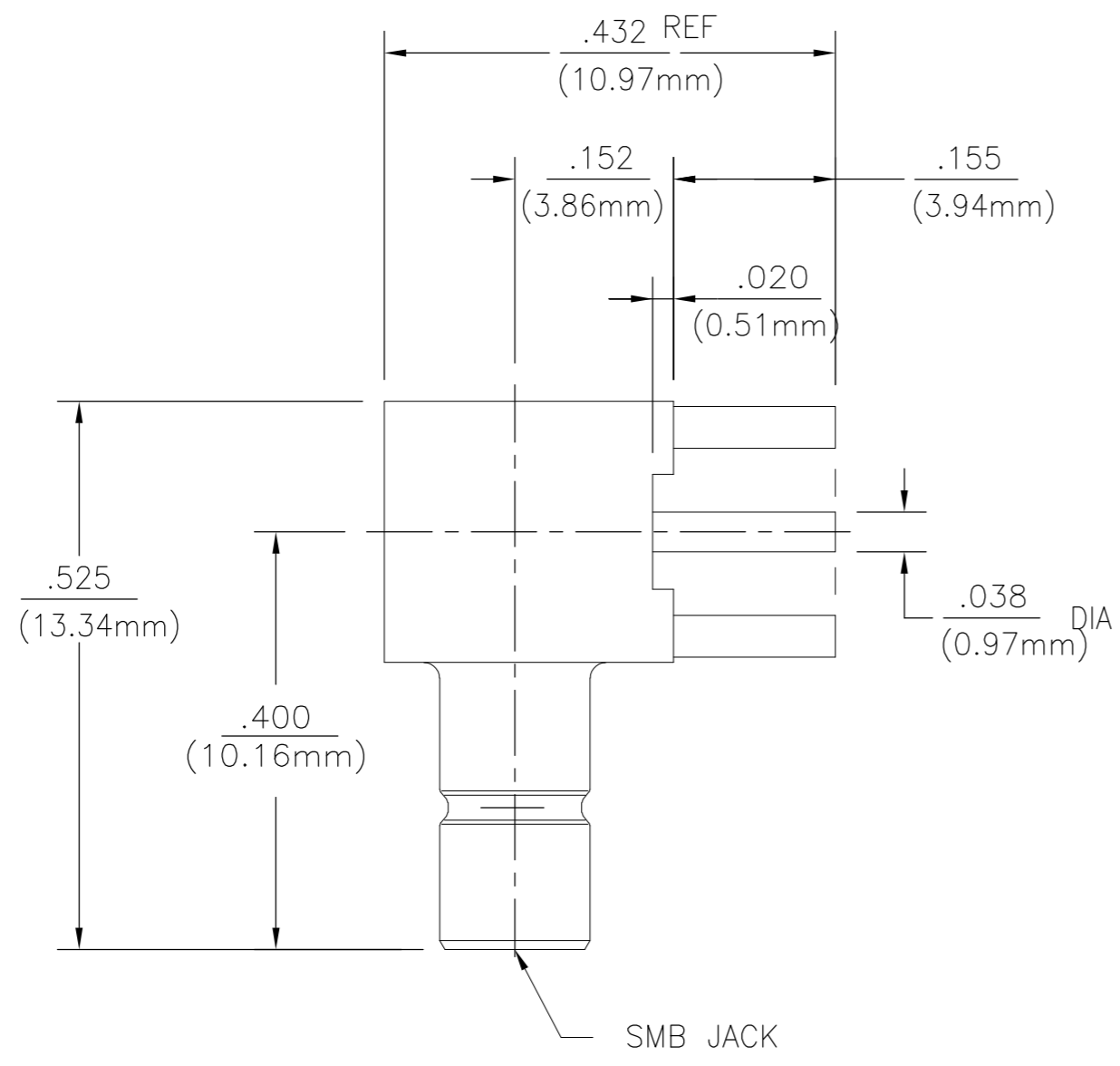


THIS DRAWING IS UNPUBLISHED. RELEASED FOR PUBLICATION
 © COPYRIGHT BY TYCO ELECTRONICS CORPORATION. ALL INTERNATIONAL RIGHTS RESERVED.

Loc		DIST		REVISIONS					
AJ		16		P	LTR	DESCRIPTION	DATE	DWN	APVD
				D		REV PER ECO 08-031174	30DEC2008	DW	JL



RECOMMENDED PCB LAYOUT

HOUSING, CAP & CENTER CONTACT		BRASS PER ASTM-B-16, HALF HARD	1060464-1
DIELECTRIC		PTFE FLUOROCARBON PER ASTM-D-1457	PART NUMBER
		GOLD PLATE PER MIL-G-45204	
		N/A	
COMPONENT		MATERIAL	FINISH

THIS DRAWING IS A CONTROLLED DOCUMENT.		DWN J. HAVENER 25JUL2002	Tyco Electronics Corporation	
DIMENSIONS: INCHES [mm]		CHK J. HAVENER 25JUL2002	Harrisburg, PA 17105-3608	
TOLERANCES UNLESS OTHERWISE SPECIFIED:		APVD K. WEIDNER 25JUL2002	NAME	
0 PLC ± -		PRODUCT SPEC	SMB RIGHT ANGLE PRINTED CIRCUIT BOARD JACK (5164-5003-09)	
1 PLC ± -		APPLICATION SPEC	SIZE A2	CAGE CODE 00779
2 PLC ± -		WEIGHT -	DRAWING NO C=1060464-1	RESTRICTED TO -
3 PLC ± .005 [0.13]		CUSTOMER DRAWING	SCALE 6:1	SHEET 1 of 1
4 PLC ± -			REV D	
ANGLES ± 1°				
FINISH SEE TABLE				

1060464-1