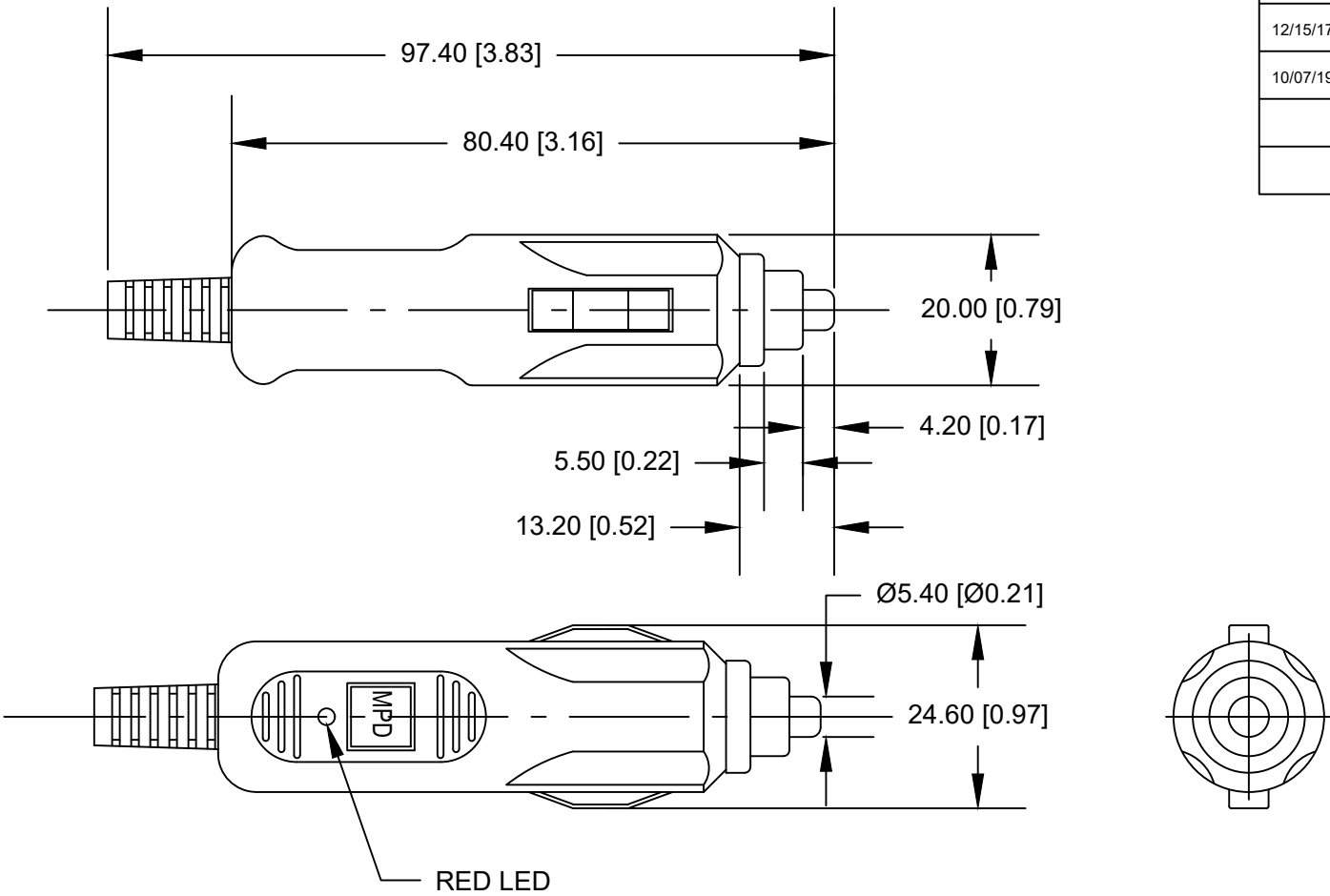



Date	SYM	REVISION RECORD	AUTH	DR.	CK.
02/19/16	A	ADDED DIM. Ø80.40 REMOVED DIM. 97.00	T.B.	B.S.	
12/15/17	B	ADDED DIM. 97.40	T.B.	B.S.	
10/07/19	C	ADDED RING MATERIAL	T.B.	B.S.	



**SPECIFICATION:**

BODY: HIGH IMPACT ABS, UL94V-HB, FILE NO. E56070(S)  
 COLOR: BLACK  
 CENTER CONTACT: BRASS, NICKEL PLATED  
 SLIDING CONTACT: PHOS. BRONZE, NICKEL PLATED  
 RING: BRASS, NICKEL PLATED  
 SPRING: PHOS. BRONZE WIRE  
 WIRE STRAIN RELIEF: PVC  
 LED: RED, 3mm 12V  
 FUSE: 250V, 5AMP, 3AG 6.35mm X 30mm (1/4"X1 1/4")  
 RATED AT 18 HOURS, CONTINUOUS DUTY  
 5AMP'S MAX WITH CORRECT FUSE  
 ROHS COMPLIANT

Tolerance (Inches)	 <b>Memory Protection Devices, Inc</b> 200 Broad Hollow Road, Farmingdale, New York 11735		
Decimal ±.5 (.020)		Scale	Drawn By B.S. Approved By T.B.
Fractional ±.8 (.030)	Title <b>CIGARETTE PLUG FOR 21 OR 22.2mm DIA. SOCKETS          WITH RED LED, 5 AMP FUSE</b>		
Angular ± 3°	Date 10/07/19	Drawing Number <b>APP-001-5AMP</b>	