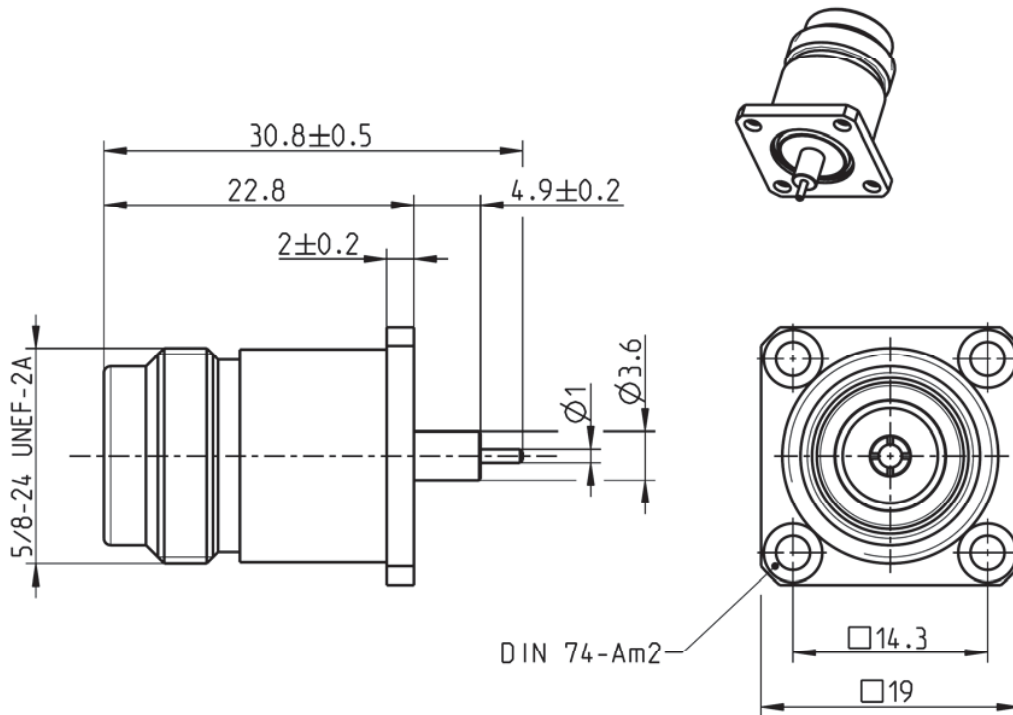


SnapN
50 Ω

PANEL JACK

53QK40A-500N5



All dimensions are in mm; tolerances according to ISO 2768 m-H

Interface

According to IEC 60169-16, MIL-PRF-39012, CECC 22210

Documents

Panel piercing B 108

Material and plating

Connector parts	Material	Plating
Center contact	Beryllium copper	AuroDur, gold plated
Outer contact	Brass	White bronze(e.g. Optalloy®)
Dielectric	PTFE	

SnapN
50 Ω

PANEL JACK

53QK40A-500N5

Electrical data

Impedance	50 Ω
Frequency	DC to 11 GHz
Return loss	≥ 30 dB, DC to 2 GHz ≥ 20 dB, 2 to 3.5 GHz
Insertion loss	≤ 0.05 dB × √ f [GHz]
Insulation resistance	≥ 5 × 10 ³ MΩ
Center contact resistance	≤ 1.0 mΩ
Outer contact resistance	≤ 1.0 mΩ
Test voltage	2500 V rms
Working voltage	500 V rms
RF-leakage	-90 dB @ 3 GHz -80 dB @ 6 GHz
Intermodulation (3 rd order)	≤ -155 dBc @ 1.8 GHz (2 x 43 dBm)

Mechanical data

Mating cycles	min. 200
Center contact captivation: axial	≥ 28 N
radial	≥ 3 Ncm
Engagement force	30 N (typ.)
Disengagement force	30 N (typ.)

Environmental data

Temperature range	-40°C to + 125°C
Thermal shock	MIL-STD-202, Meth. 107, Cond. B
Corrosion	MIL-STD-202, Meth. 101, Cond. B
Vibration	MIL-STD-202, Meth. 204, Cond. A
Shock	MIL-STD-202, Meth. 213, Cond. I
Moisture resistance	MIL-STD-202, Meth. 106
RoHS	compliant

Tooling

N/A

Suitable cables

N/A

Weight

Weight 26 g/pce

While the information has been carefully compiled to the best of our knowledge, nothing is intended as representation or warranty on our part and no statement herein shall be construed as recommendation to infringe existing patents. In the effort to improve our products, we reserve the right to make changes judged to be necessary.

Draft	Date	Approved	Date	Rev.	Engineering change number	Name	Date
Hauke Schütt	02/02/05	J_Gramsamer	31.03.15	c00	15-0397	J_Krautenb.	31.03.15
Rosenberger Hochfrequenztechnik GmbH & Co. KG P.O.Box 1260 D-84526 Tittmoning Germany www.rosenberger.de					Tel.: +49 8684 18-0 email: info@rosenberger.de		Page 2 / 2