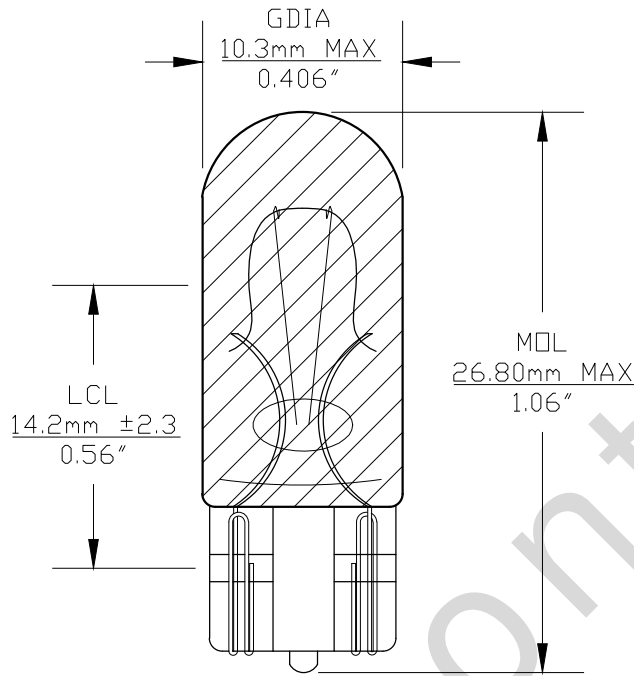
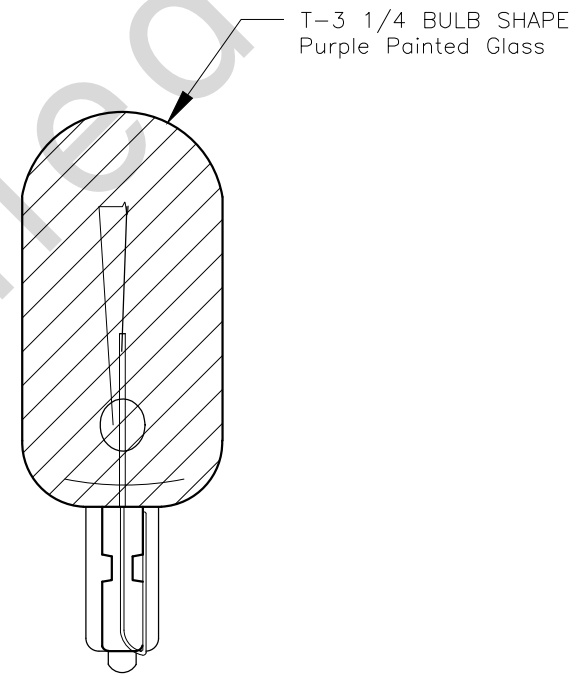




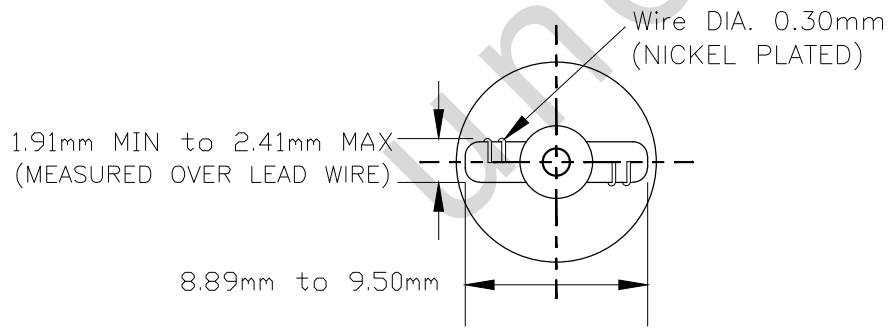
PART NO.	BASE TYPE	DESIGN VOLTS	DESIGN AMPS	MSCD	FILAMENT TYPE	AVERAGE LIFE HOURS	REVISIONS			
							REV #	DESCRIPTION	DATE	APPROVED
194P	Glass Wedge T-3 1/4 (W2.1X9.2d)	14.0V	0.27±10%	1.5±30%	C-2F	1500	1	ISSUED	05/23/2014	R.M.



0° VIEW



90° VIEW



BASE BOTTOM VIEW



UNLESS OTHERWISE SPECIFIED: DIMENSIONS ARE IN INCHES TOLERANCES		CEC INDUSTRIES LTD			
DECIMALS	ANGULAR	599 BOND STREET		LINCOLNSHIRE, IL 60069	
.XX ± .05	± 0.5°	TITLE		LIGHT BULB NO. 194P, PURPLE	
.XXX ± .010	± 1/64	CHECKED	DATE	SIZE	REV
FRACTIONAL		R. M.	05/23/2014	A	1
DRAWN		FILE	FSCM NO.	DWG NO.	
DESIGN		194P.pdf		194P	
MATERIAL		SCALE	PLOT SCALE	SHEET	
				1 OF 1	
		DRAWING NOT TO SCALE			