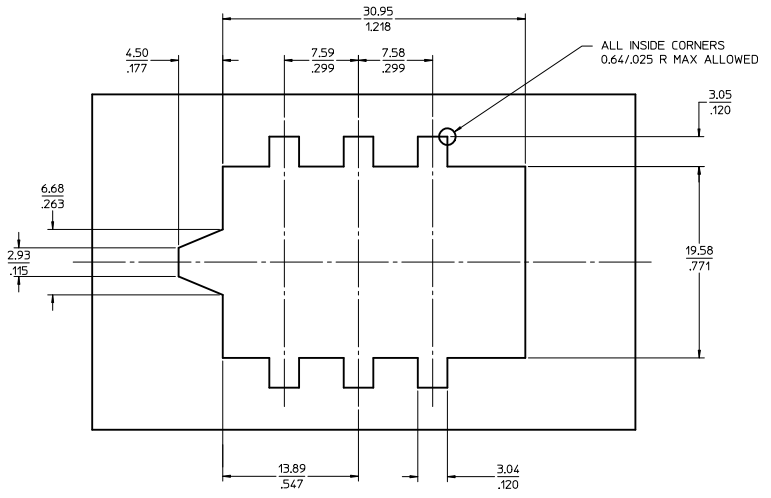
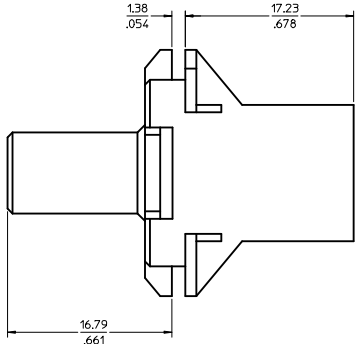
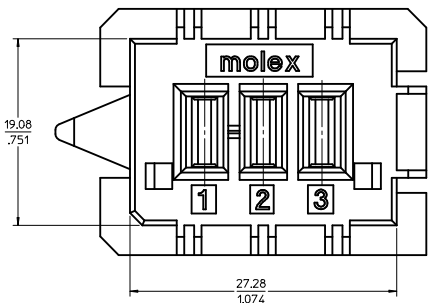
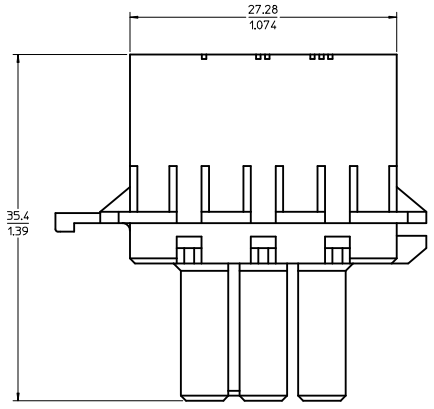
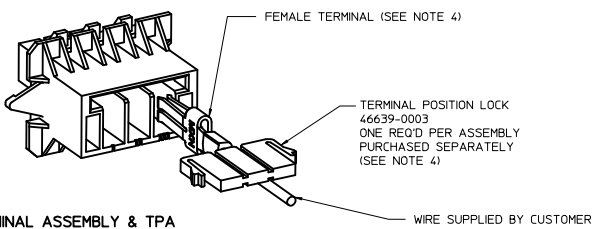


- NOTES:
1. MATERIAL: PBT - 94V-0, COLOR: BLACK
 2. HOUSING ACCEPTS MOLEX RECEPTACLE TERMINAL 44262-43** SERIES (SEE SD-44262-026 FOR TERMINAL OPTIONS)
 3. RECEPTACLE HOUSING MATES WITH PLUG HOUSING 46639-0001 (SEE SD-46639-001 FOR ADDITIONAL INFORMATION)
 4. HOUSING REQUIRES TERMINAL POSITION LOCK (SEE SD-46639-003 FOR ADDITIONAL INFORMATION) P/N: 46639-0003 TO BE ORDERED SEPARATELY
 5. HOUSING IS RoHS COMPLIANT
 6. MAXIMUM MATING FORCE OF PLUG AND RECEPTACLE IS 32N / 7LBS
 7. HOUSING FOR USE WITH WIRE SIZES 10 THRU 16 AWG
 8. PRODUCT SPECIFICATION: PS-44262-300

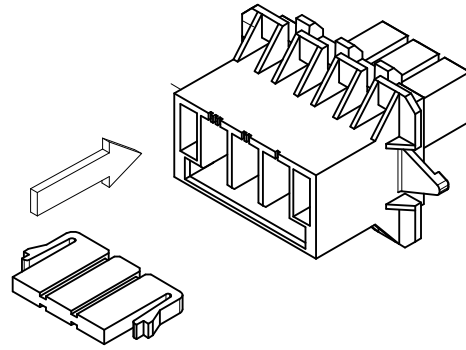
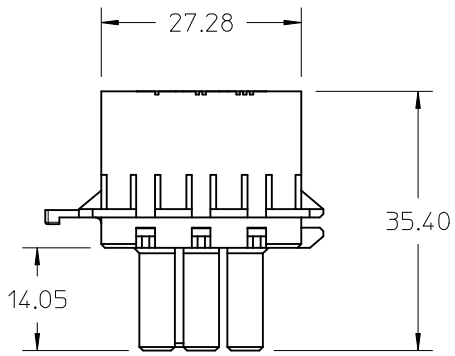


RECOMMENDED PANEL CUTOUT
 NOTE: ALL PANEL DIMS ARE $\pm 0.13/005$
 PANEL THICKNESS: 1.22 ± 0.05 / .048 ± 0.02

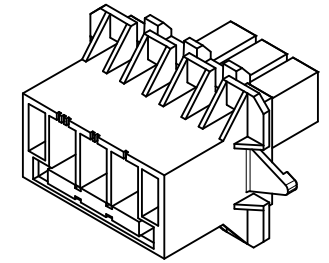


TERMINAL ASSEMBLY & TPA SHOWN FOR REFERENCE ONLY

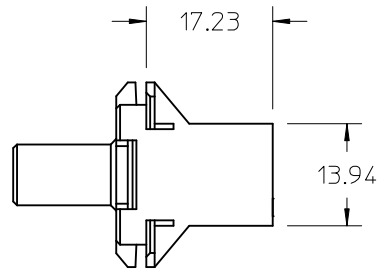
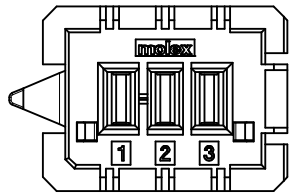
REV DOCUMENT NO EC NO: UCP2011-3253 DRAWN: DUILLES 2011/04/26 CHKD: APATEL 2011/04/26 APPR: APATEL 2011/04/27	QUALITY SYMBOLS 4 PLACES \pm --- \pm --- 3 PLACES \pm --- \pm .015 2 PLACES \pm 0.38 \pm .025 1 PLACE \pm 0.64 \pm --- ANGULAR $\pm 1/2^\circ$	GENERAL TOLERANCES (UNLESS SPECIFIED) MM INCH		DIMENSION STYLE MM/IN		SCALE 2:1	DESIGN UNITS METRIC	THIRD ANGLE PROJECTION	
		DRAFT WHERE APPLICABLE MUST REMAIN WITHIN DIMENSIONS		DRAWN BY JSCHAFFER	DATE 12-11-2007	TITLE RECEPTACLE HOUSING 3 CIRCUIT PANEL MOUNT POWER CONNECTOR			
		MATERIAL NO. 466390002		CHECKED BY SBOGIEL	DATE 12-12-2007	MOLEX INCORPORATED			
		DOCUMENT NO. SD-46639-002		APPROVED BY APATEL	DATE 12-14-2007	SHEET NO. 1 OF 1			



TERMINAL LOCK LOADING DIRECTION
(TERMINAL LOCK INCLUDED IN THE KIT)



TERMINAL LOCK FULLY SEATED



NOTES:

1. MATERIAL-HOUSING: HIGH TEMPERATURE PLASTIC, BLACK, UL94V-0
2. PRODUCT MEETS RoHS REQUIREMENTS.
3. PACKAGING PER PK-46639-101.
4. ASSEMBLY MATES TO MOLEX RECEPTACLE ASSY P/N 46639-0001.
5. TERMINAL 44262-4306 SOLD SEPARATELY.

RECEPTACLE ASSEMBLY KIT 46639-1002	
HOUSING	46639-0002
TERMINAL LOCK	46639-0003

INITIAL RELEASE EC NO: UCP2009-1928 DRAWN: JSCHAFFER 2009/02/06 CHKD: 2009/02/09 APPR: APATEL 2009/02/10	QUALITY SYMBOLS ▽=0 ▽=0	GENERAL TOLERANCES (UNLESS SPECIFIED)		DIMENSION STYLE MM ONLY		SCALE 1.5:1	DESIGN UNITS METRIC	THIRD ANGLE PROJECTION																			
		<table border="1"> <tr> <th></th> <th>mm</th> <th>INCH</th> </tr> <tr> <td>4 PLACES</td> <td>± ---</td> <td>± ---</td> </tr> <tr> <td>3 PLACES</td> <td>± ---</td> <td>± ---</td> </tr> <tr> <td>2 PLACES</td> <td>± 0.13</td> <td>± ---</td> </tr> <tr> <td>1 PLACE</td> <td>± 0.25</td> <td>± ---</td> </tr> <tr> <td colspan="3">ANGULAR ±1/2°</td> </tr> </table>			mm	INCH	4 PLACES	± ---	± ---	3 PLACES	± ---	± ---	2 PLACES	± 0.13	± ---	1 PLACE	± 0.25	± ---	ANGULAR ±1/2°			DRAWN BY JSCHAFFER	DATE 2-4-2009	TITLE RECEPTACLE ASSY KIT HOUSING/TERM.LOCK POWER CONNECTOR			
			mm	INCH																							
		4 PLACES	± ---	± ---																							
		3 PLACES	± ---	± ---																							
2 PLACES	± 0.13	± ---																									
1 PLACE	± 0.25	± ---																									
ANGULAR ±1/2°																											
DRAFT WHERE APPLICABLE MUST REMAIN WITHIN DIMENSIONS		CHECKED BY APATEL	DATE 2-5-2009																								
		APPROVED BY APATEL		DATE 2-6-2009	MOLEX INCORPORATED DOCUMENT NO. SD-46639-1002																						
		MATERIAL NO. 466391002		SHEET NO. 1 OF 1																							
		THIS DRAWING CONTAINS INFORMATION THAT IS PROPRIETARY TO MOLEX INCORPORATED AND SHOULD NOT BE USED WITHOUT WRITTEN PERMISSION																									