

CONSTRUCTION:

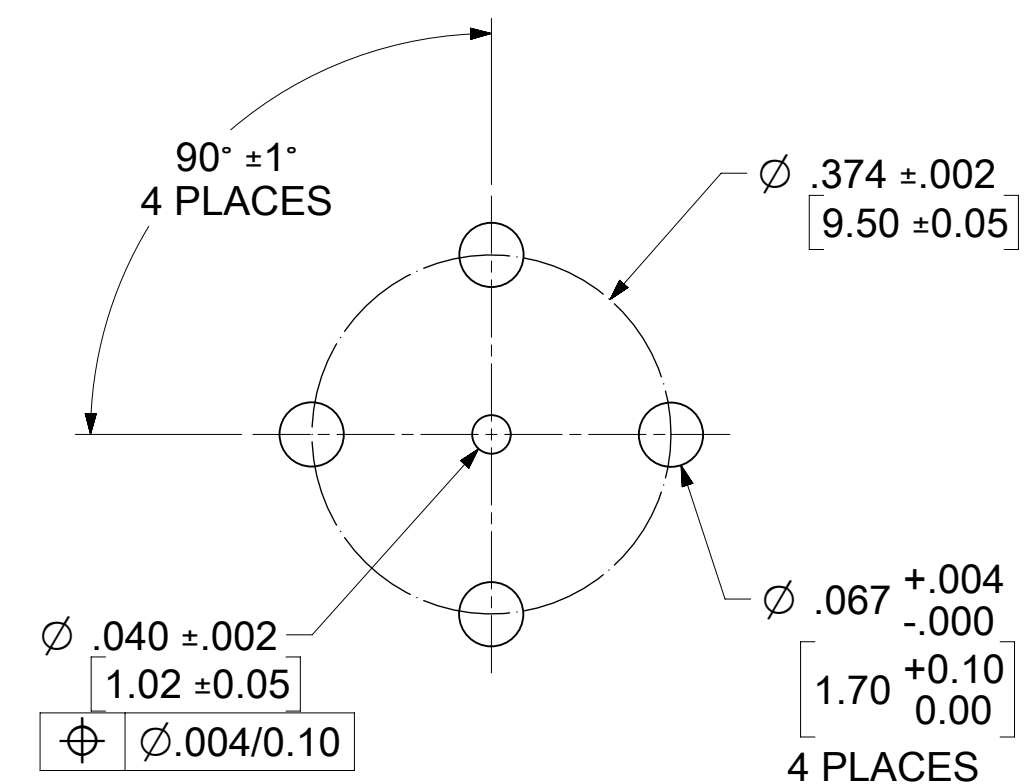
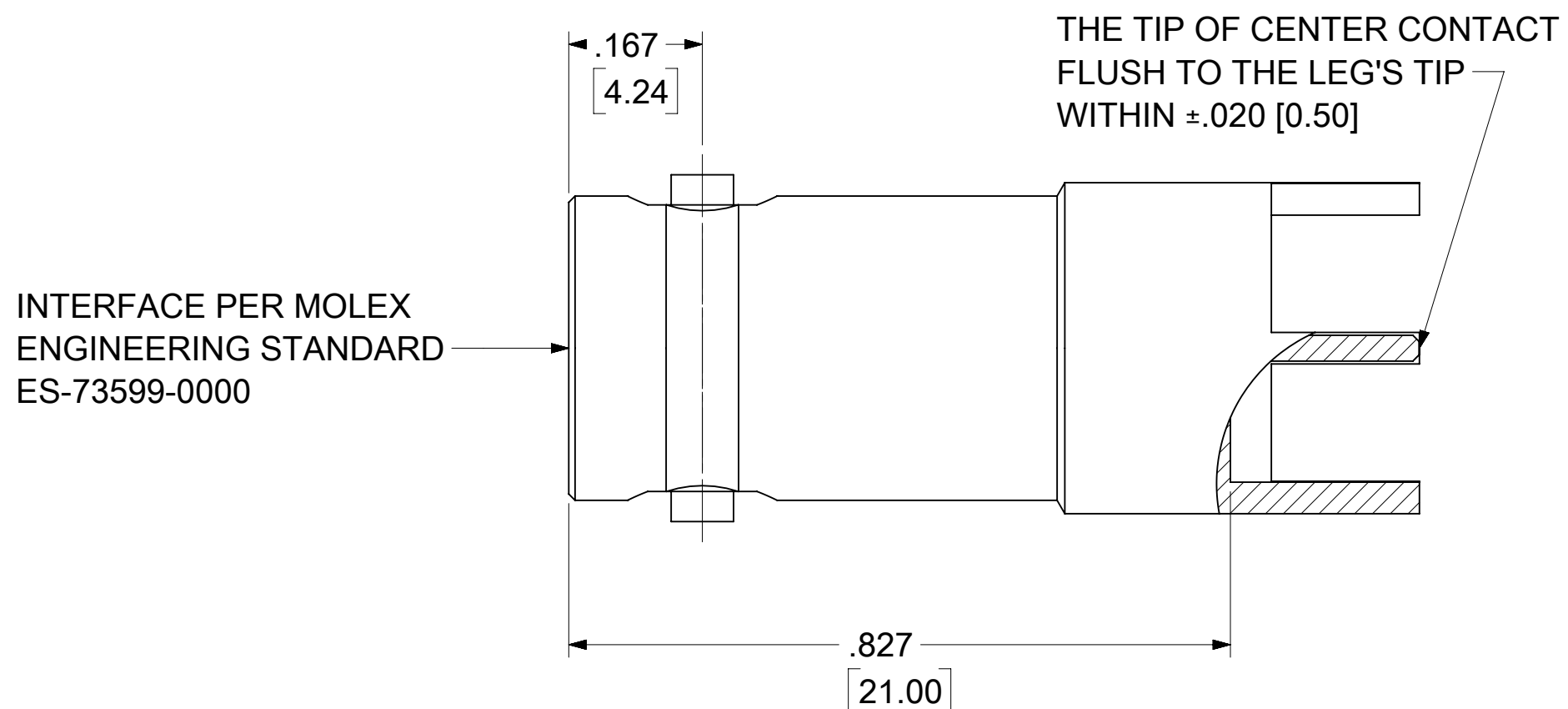
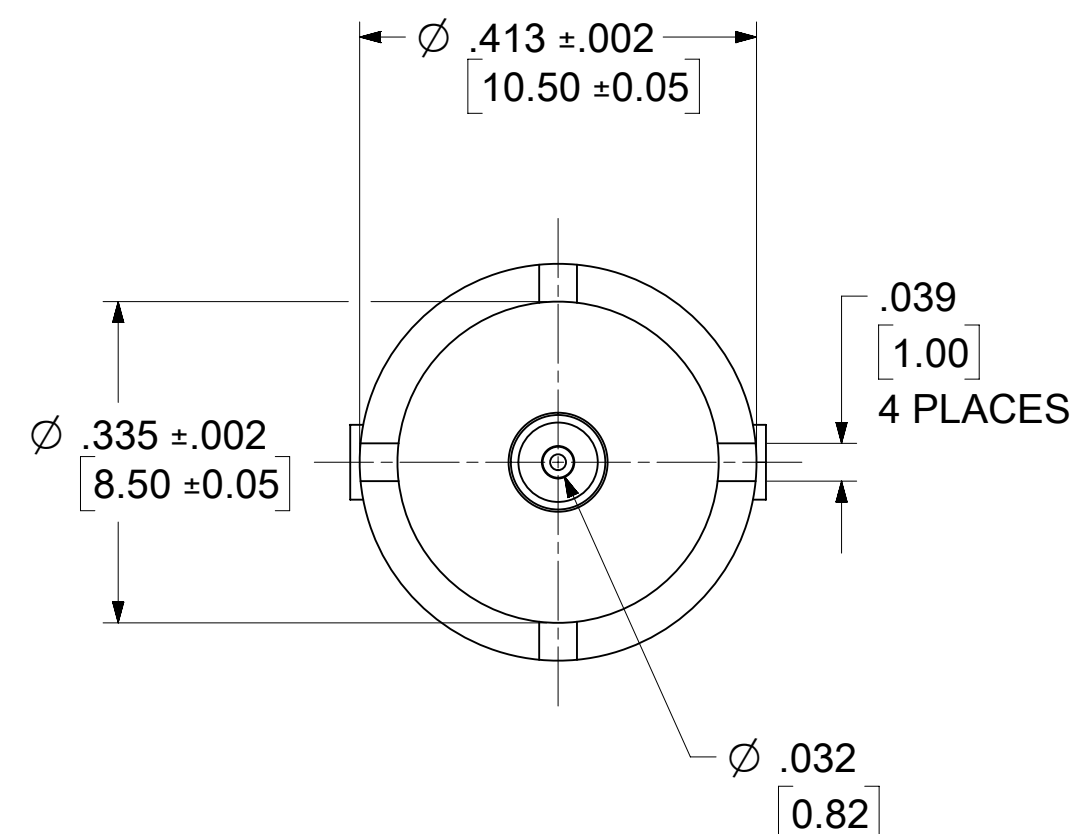
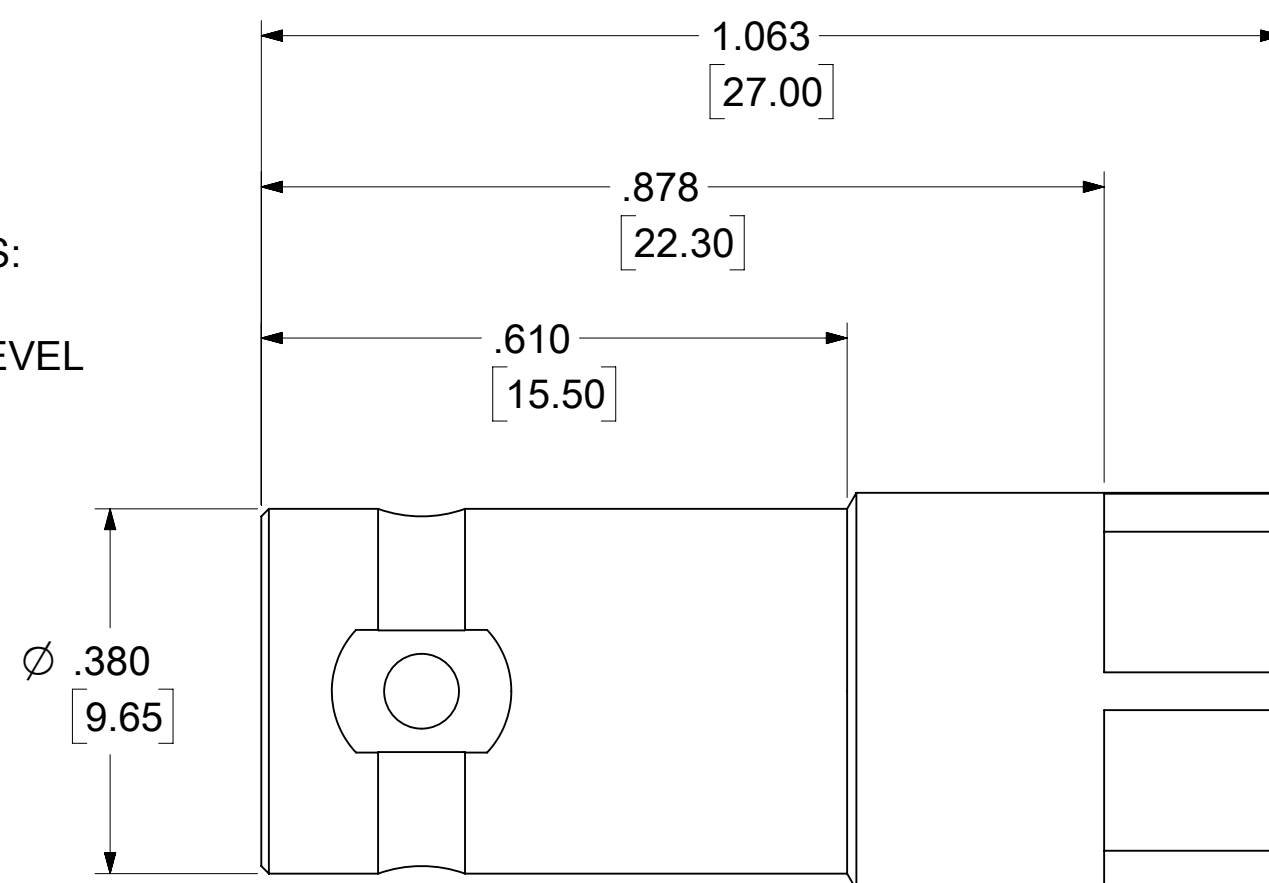
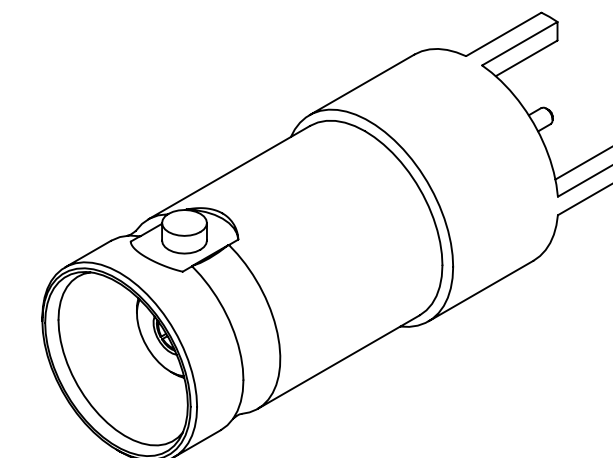
BODY ----- BRASS
 CENTER CONTACT -- PHOSPHOR BRONZE
 INSULATOR ----- TEFLON

FINISH:

BODY ----- NICKEL PLATING
 CENTER CONTACT -- GOLD PLATING (1 ~ 3u")

MECHANICAL & ELECTRICAL CHARACTERISTICS:

WORKING VOLTAGE : 500V RMS MAX. AT SEA LEVEL
 NORMAL IMPEDANCE : 50 OHMS
 FREQUENCY RANGE : 0-2 GHz
 VSWR : 1.18 Max. @ 2 GHz
 INSERTION LOSS : 0.15dB @ 2 GHz
 TEMPERATURE RANGE : -20°C TO +85°C



RECOMMENDED PCB PATTERN

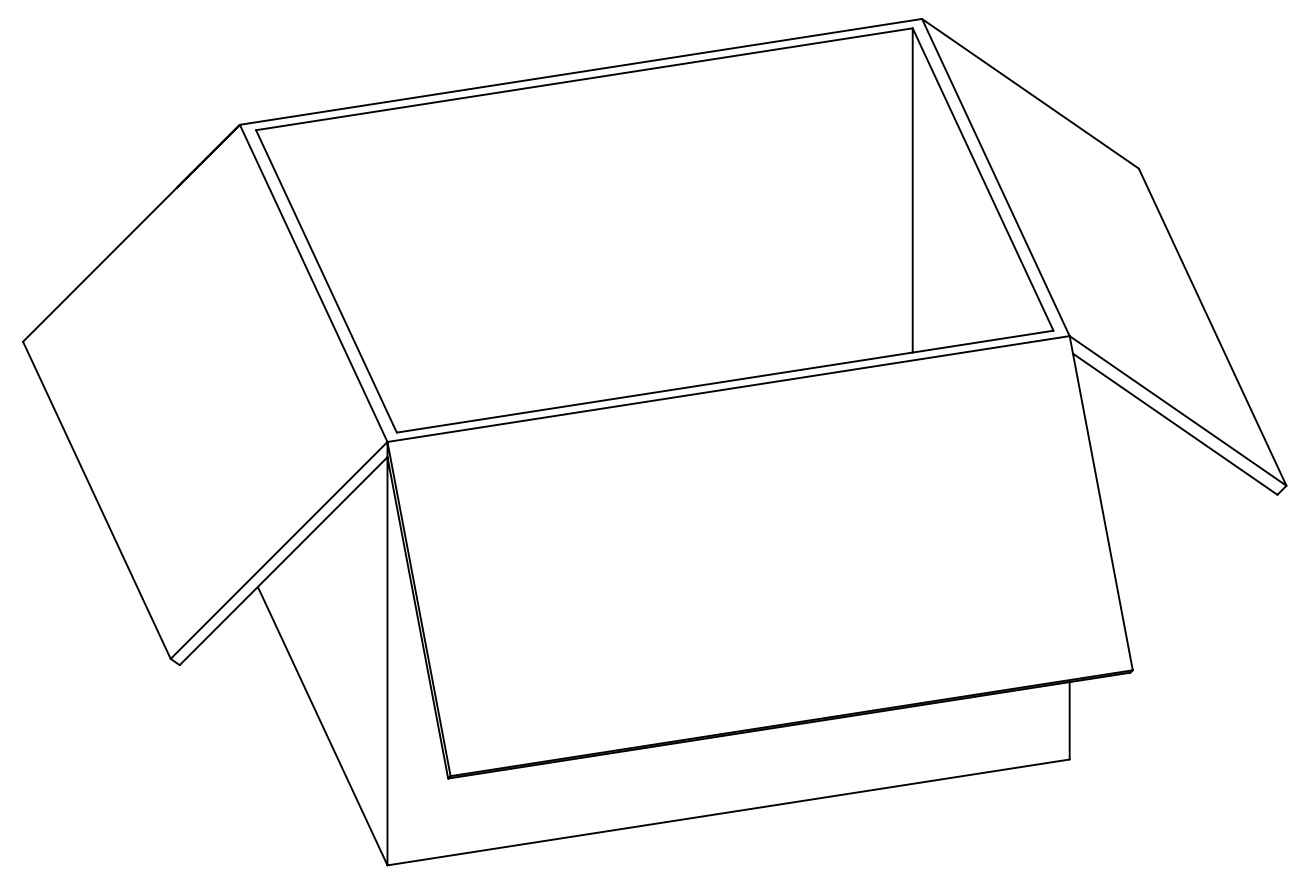
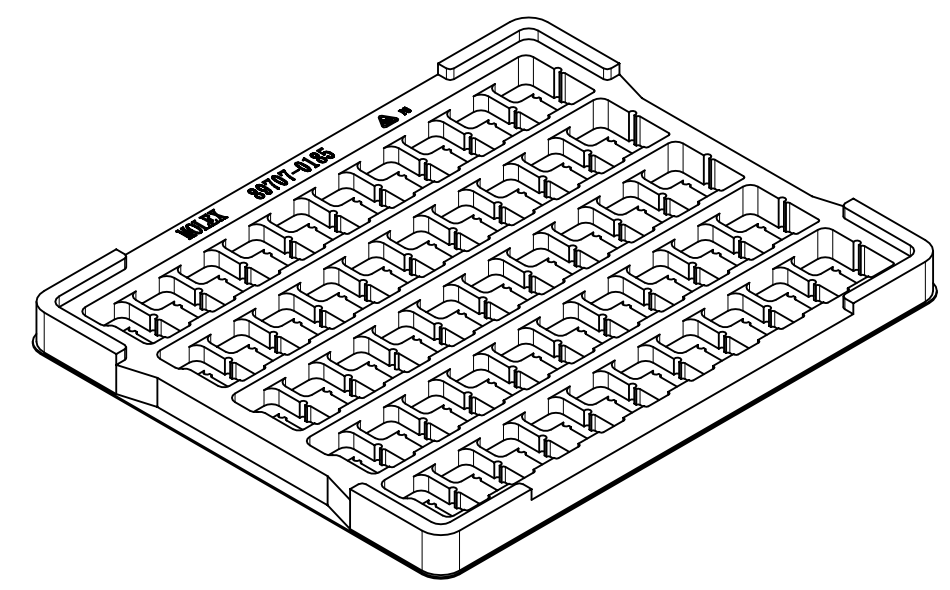
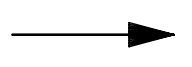
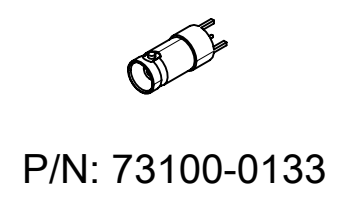
LABEL WITH EACH BAG
 FOR 73171-6940

MOLEX P/N: 73171-6940
 DATE: YYWW

73171-6940	73100-0133, ONE PER BAG
73100-0133	TRAY
PART NO.	PACKAGING

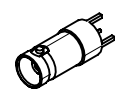
PS-89675-103	PRODUCT SPECIFICATION
SPECIFICATION	DESCRIPTION

THIS DRAWING CONTAINS INFORMATION THAT IS PROPRIETARY TO MOLEX ELECTRONIC TECHNOLOGIES, LLC AND SHOULD NOT BE USED WITHOUT WRITTEN PERMISSION									
DIMENSION UNITS	SCALE	CURRENT REV DESC: ADD LABEL FOR 73171-6940 PER EWR #14242-H							
INCH/MM	NTS								
GENERAL TOLERANCES (UNLESS SPECIFIED)									
ANGULAR TOL	± 0.5°	EC NO: 660983 DRWN: RYEH 2021/03/25 CHK'D: YCHENG 2021/04/21 APPR: YCHENG 2021/04/21							
4 PLACES	±	INITIAL REVISION:							
3 PLACES	±	DRWN: ELIN 2020/03/06							
2 PLACES	±	APPR: GHUBBARD 1990/12/28							
1 PLACE	±	DOCUMENT NUMBER: XSDA-73100-0133 DOC TYPE: PSD DOC PART: 001 REVISION: A3							
0 PLACES	±	MATERIAL NUMBER: SEE TABLE CUSTOMER: GENERAL MARKET SHEET NUMBER: 1 OF 3							
DRAFT WHERE APPLICABLE MUST REMAIN WITHIN DIMENSIONS		THIRD ANGLE PROJECTION	DRAWING	SERIES	DRAWING: C-SIZE SERIES: 73100				

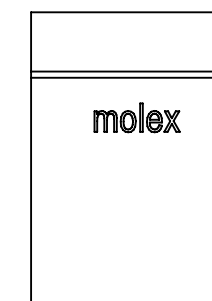
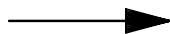


THIS DRAWING CONTAINS INFORMATION THAT IS PROPRIETARY TO MOLEX ELECTRONIC TECHNOLOGIES, LLC AND SHOULD NOT BE USED WITHOUT WRITTEN PERMISSION

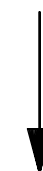
DIMENSION UNITS		SCALE		CURRENT REV DESC: ADD LABEL FOR 73171-6940 PER EWR #14242-H		molex				
INCH/MM		NTS								
GENERAL TOLERANCES (UNLESS SPECIFIED)				EC NO: 660983		BNC JACK STR PCB TH 50 OHMS EWR-13589				
ANGULAR TOL ± 0.5°				DRWN: RYEH 2021/03/25						
4 PLACES ±				CHK'D: YCHENG 2021/04/21		PRODUCT CUSTOMER DRAWING				
3 PLACES ±				APPR: YCHENG 2021/04/21						
2 PLACES ±				INITIAL REVISION:		DOCUMENT NUMBER		DOC TYPE	DOC PART	REVISION
1 PLACE ±				DRWN: ELIN 2020/03/06		XSDA-73100-0133		PSD	001	A3
0 PLACES ±				APPR: GHUBBARD 1990/12/28		MATERIAL NUMBER		CUSTOMER		SHEET NUMBER
DRAFT WHERE APPLICABLE MUST REMAIN WITHIN DIMENSIONS				THIRD ANGLE PROJECTION		DRAWING		SERIES		
						C-SIZE		73100		GENERAL MARKET
DOCUMENT STATUS				P1		RELEASE DATE		2021/04/21 06:23:48		2 OF 3



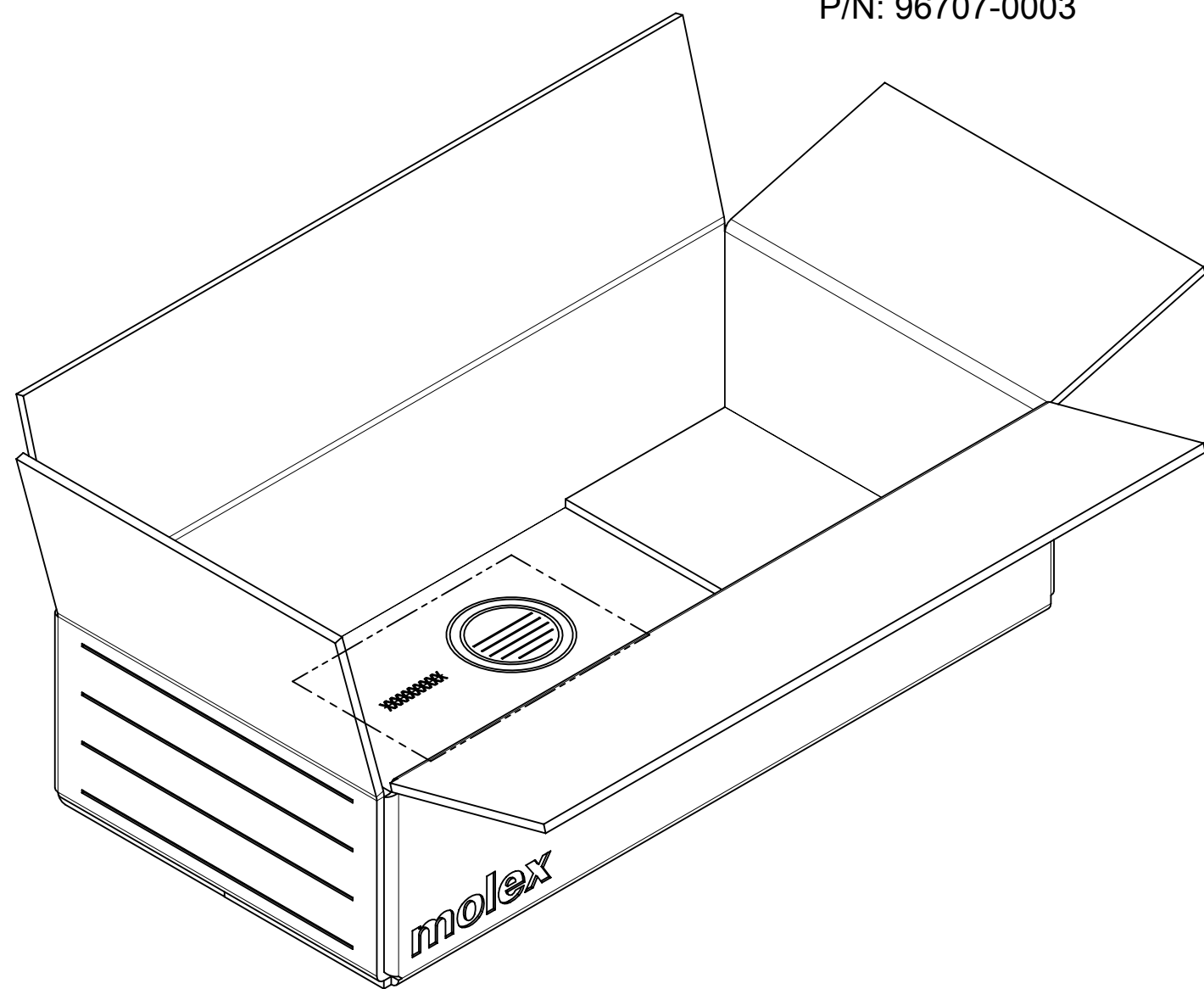
P/N: 73100-0133



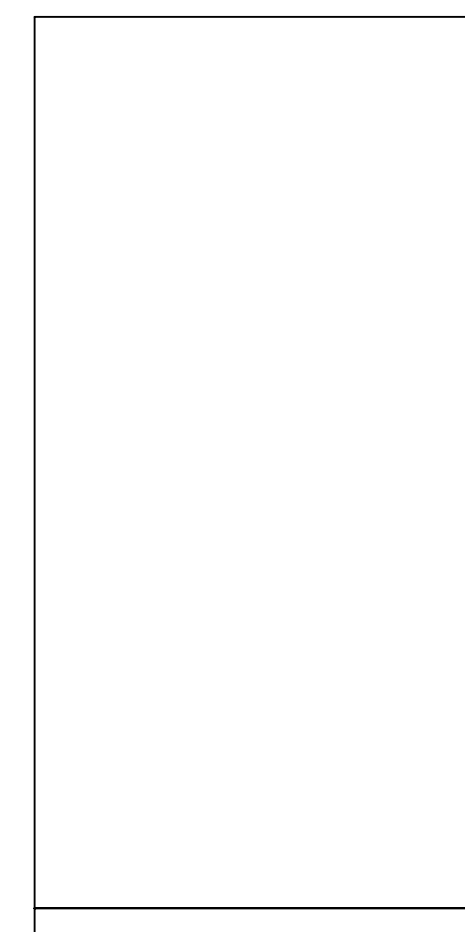
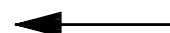
1 SET PER BAG
P/N: 89707-0317



P/N: 73171-6940
300 X 73100-0133 PER CARTON BOX
P/N: 96707-0003



300 SETS PER CARTON BOX
P/N: 96707-0003



50 SETS PER BAG
P/N: 89707-0174

THIS DRAWING CONTAINS INFORMATION THAT IS PROPRIETARY TO MOLEX ELECTRONIC TECHNOLOGIES, LLC AND SHOULD NOT BE USED WITHOUT WRITTEN PERMISSION

DIMENSION UNITS		SCALE		CURRENT REV DESC: ADD LABEL FOR 73171-6940 PER EWR #14242-H				molex					
INCH/MM		NTS											
GENERAL TOLERANCES (UNLESS SPECIFIED)								BNC JACK STR PCB TH 50 OHMS EWR-13589					
ANGULAR TOL ± 0.5°													
4 PLACES ±				EC NO: 660983				PRODUCT CUSTOMER DRAWING					
3 PLACES ±				DRWN: RYEH		2021/03/25							
2 PLACES ±				CHK'D: YCHENG		2021/04/21		DOCUMENT NUMBER XSDA-73100-0133					
1 PLACE ±				APPR: YCHENG		2021/04/21						DOC TYPE PSD	
0 PLACES ±				INITIAL REVISION:				MATERIAL NUMBER		CUSTOMER		SHEET NUMBER	
DRAFT WHERE APPLICABLE MUST REMAIN WITHIN DIMENSIONS		THIRD ANGLE PROJECTION		DRAWING		SERIES		GENERAL MARKET		3 OF 3			
				C-SIZE		73100							

DOCUMENT STATUS	P1	RELEASE DATE	2021/04/21	06:23:48
-----------------	----	--------------	------------	----------