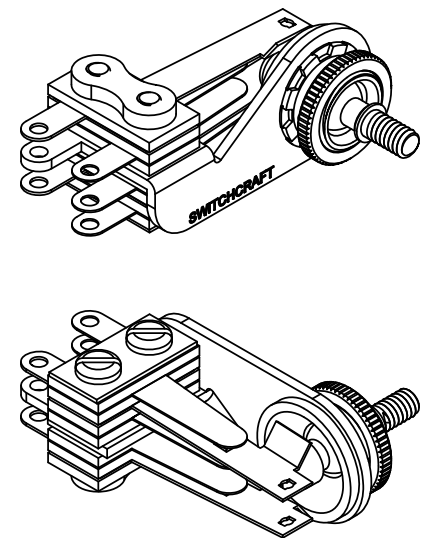
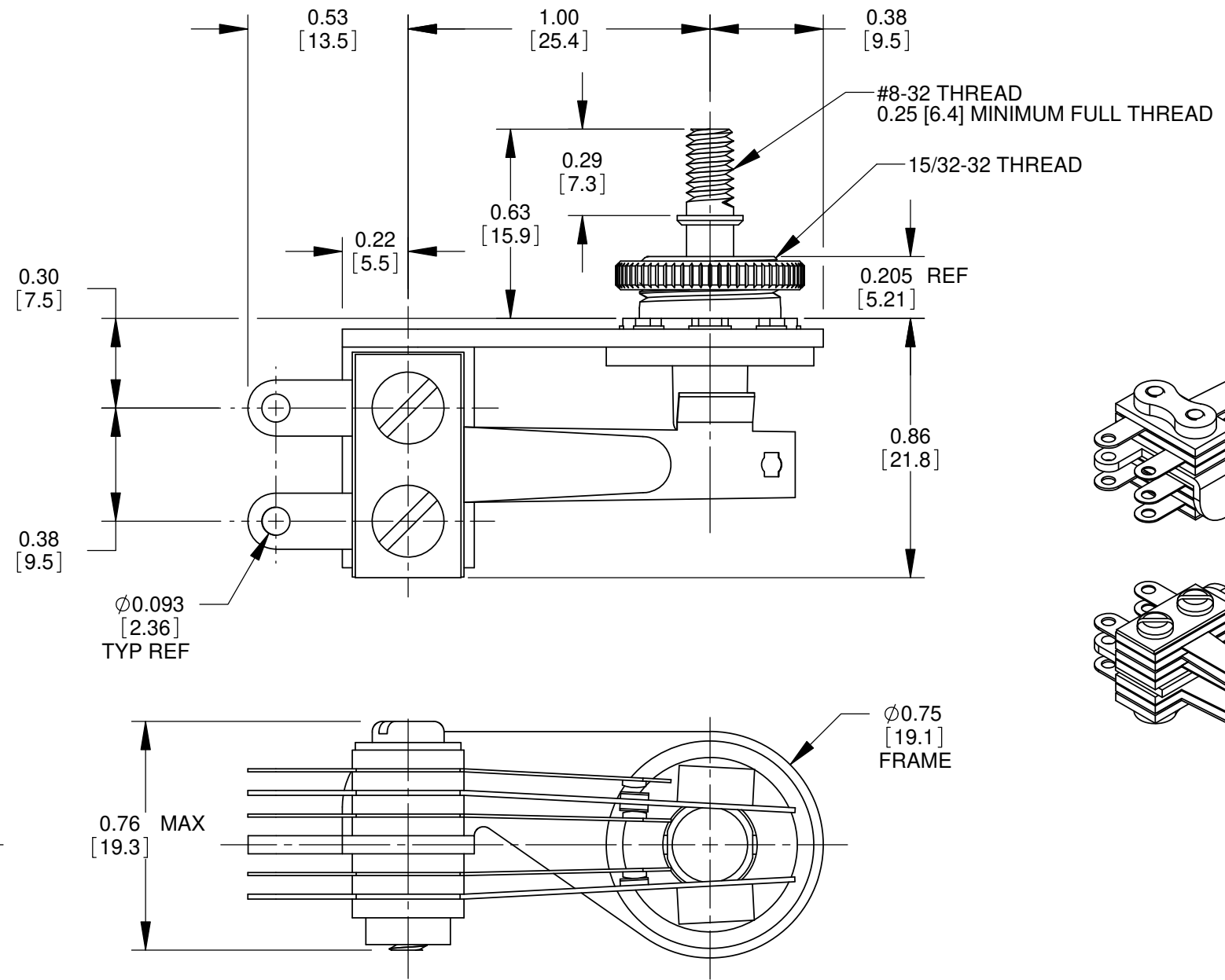
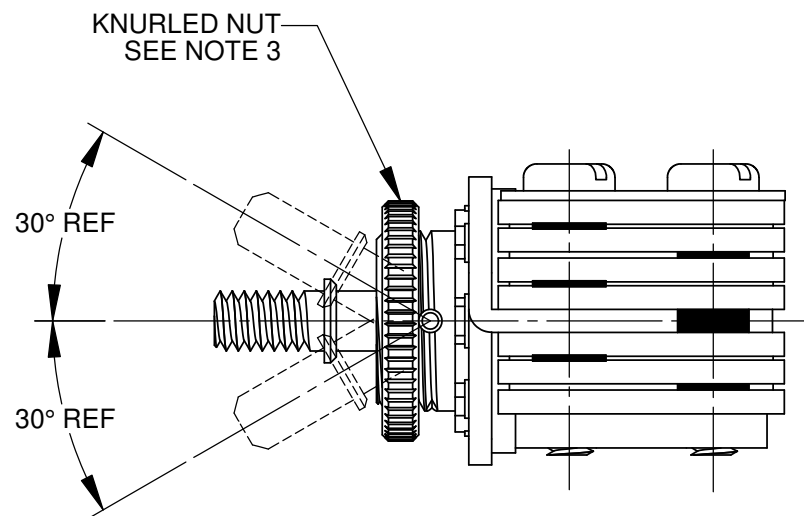


SCHEMATIC



NOTES:

1. MATERIALS:
 FRAME - STEEL, NICKEL PLATED
 SPRINGS - SPRING TEMPERED, NICKEL SILVER
 BUSHING & SHAFT - BRASS, NICKEL PLATED
 INSULATION - PHENOLIC
 CONTACTS - FINE SILVER
 SCREWS - STEEL, NICKEL PLATED
 SHAFT INSULATOR - NYLON
 TUBING - THERMOPLASTIC
 KNURLED NUT - BRASS, NICKEL PLATED
2. ELECTRICAL CHARACTERISTICS:
 - CONTACT RESISTANCE: 20 MILLIOHMS MAX
 - CONTACT RATING: 3A, 300W MAX AC NON-INDUCTIVE LOAD
 - LEAKAGE RESISTANCE: 1000 MEGAOHMS OR GREATER
 - DIELECTRIC STRENGTH: 250 VDC
3. HARDWARE SHIPPED UNASSEMBLED.
4. THIS PRODUCT IS RoHS COMPLIANT.

CUSTOMER DRAWING

					THIS DRAWING DESCRIBES A DESIGN CONSIDERED PROPRIETARY IN NATURE, DEVELOPED AND MANUFACTURED BY SWITCHCRAFT INC. AND IS RELEASED ON A CONFIDENTIAL BASIS FOR IDENTIFICATION PURPOSES ONLY.						
					SIZE	WIDTH	MULT	LBS/M	TEMPER		
					FINISH			MATERIAL			
					SPEC No.			SPEC No.			
					FIRST USED ON		SCALE 2:1				
					DATE DRAWN	BY	CHKD	APVD			
					3/16/10	RS	RS	TJK			
							3/16/10	02/12/20			
					NAME RIGHT-ANGLE LEVER SWITCH, 3 POSITION LOCKING, RoHS					PART No.	REV
					DO NOT SCALE DRAWING					12012X	B
REVISIONS											