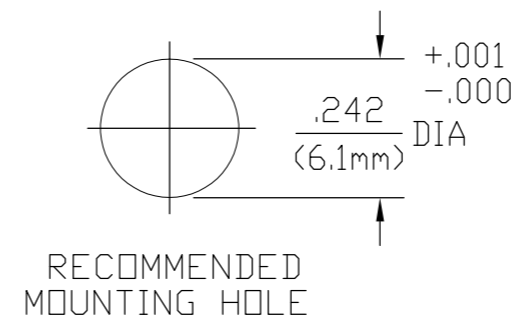
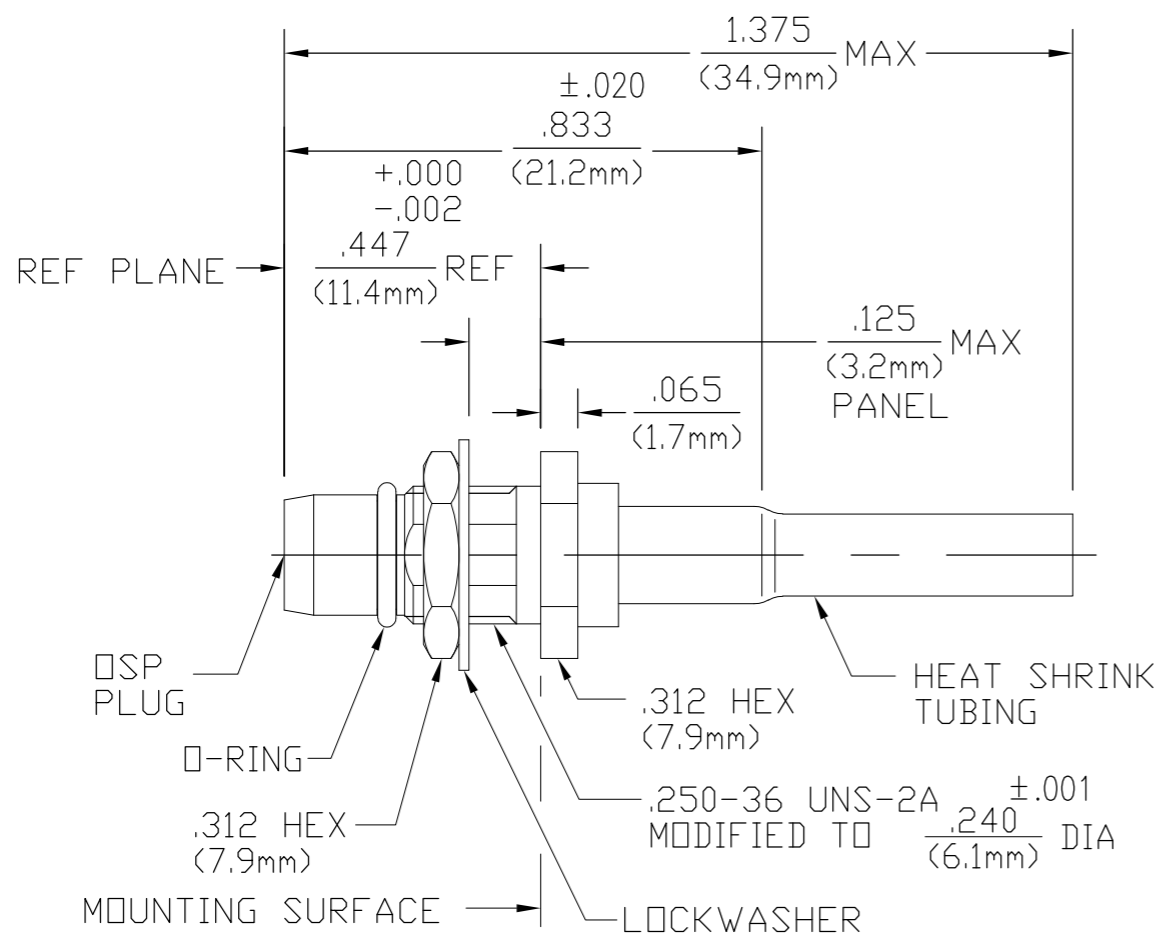


LOC	DIST	REVISIONS			
P	LTR	DESCRIPTION	DATE	DWN	APVD
C		REV PER ECO 08-021971	20NOV08	PK	WM



DESIGNED FOR USE WITH RG 316/U & SIMILAR CABLES	
CABLE ENTRY DIAMETER MINIMUM	
HOUSING	.066
FERRULE	.125
CONTACT	.023

COMPONENT	MATERIAL	FINISH
HOUSING MOUNTING NUT LOCKWASHER	STAINLESS STEEL PER ASTM-A484 AND ASTM-A582, TYPE 303	PASSIVATE PER ASTM-A380
DIELECTRIC	TFE FLUOROCARBON PER ASTM-D-1457	N/A
CENTER CONTACT	BERYLLIUM COPPER PER ASTM B 196, ALLOY C17300, CONDITION H	GOLD PLATE PER MIL-G-45204 OVER COPPER PLATE PER MIL-C-14550
"O" - RING	FLOUROSILICONE PER MIL-R-25988, CLASS I, TYPE I.	N/A
SHRINK TUBING	HEAT SHRINKABLE POLYOLEFIN COMPOUND MIL-I-23053/4	N/A
FERRULE	COPPER OR BRASS ALLOY ROCKWELL F65 MAXIMUM	GOLD PLATE PER MIL-G-45204 OVER COPPER PLATE PER MIL-C-14550

ELECTRICAL	MECHANICAL	ENVIRONMENTAL
Nominal Impedance (Ohms) <u>50</u>	Interface Dimensions Per MIL-STD-348A FIG 321-1	TEMPERATURE RATING <u>-65° TO +125°C</u>
Frequency Range (GHz) <u>DC to 3</u>	Force to Engage (In-Lbs MAX) <u>3.0</u>	Vibration MIL-STD-202, Method 204, Condition D
Volt Rating (VRMS MAX) @ Sea Level <u>250</u>	& Disengage (In-Lbs MAX) <u>1.5</u>	Shock MIL-STD-202, Method 213, Condition I
VSWR 1.15+.02f(GHz) <u>DC to 3 GHz</u>	Center Contact Captivation Axial (Lbs) <u>6.0</u>	Thermal Shock MIL-STD-202, Method 107, Condition B
Insertion Loss (dB MAX) <u>.03x √f(GHz)</u>	Cable Retention Axial Force (Lbs MIN) <u>20.0</u>	Except High Temp Shall Be +115°C
RF Leakage (dB MIN) (Fully Mated) <u>-(85-f(GHz))</u>	Weight (Grams) <u>TBD</u>	Moisture Resistance MIL-STD-202, Method 106, Except Step 7b
Corona, 70,000 Ft (VRMS MIN) <u>190</u>		Shall Be Omitted
Dielectric Withstanding Voltage (VRMS MIN) @ Sea Level <u>750</u>		Corrosion - MIL-STD-202, Method 101, Condition B
Contact Resistance (Milliohms MAX) Center Contact <u>3.0</u>		
Outer Contact <u>2.0</u>		
Cable to Housing <u>0.5</u>		
RF High Potential @ Sea Level (VRMS MIN @ 5 MHz) <u>500</u>		
I.R.(Megohms MIN) <u>5000</u>		

THIS DRAWING IS A CONTROLLED DOCUMENT.

DIMENSIONS: INCHES	TOLERANCES UNLESS OTHERWISE SPECIFIED:	DWN K.C.MAHER 1/29/88	Tyco Electronics Corporation Harrisburg, PA 17105-3608
	0 PLC ± -	CHK MH/M 2-10-88	
	1 PLC ± -	APVD BAR 2-11-88	
	2 PLC ± -	PRODUCT SPEC	
MATERIAL SEE TABLE	FINISH SEE TABLE	APVD BAR 2-11-88	NAME OSP BULKHEAD FEEDTHROUGH CABLE PLUG - CRIMP ATTACHMENT SIZE A3 CAGE CODE 00779 DRAWING NO C-1059518-1 RESTRICTED TO -

CUSTOMER DRAWING SCALE 3:1 SHEET 1 OF 1 REV C