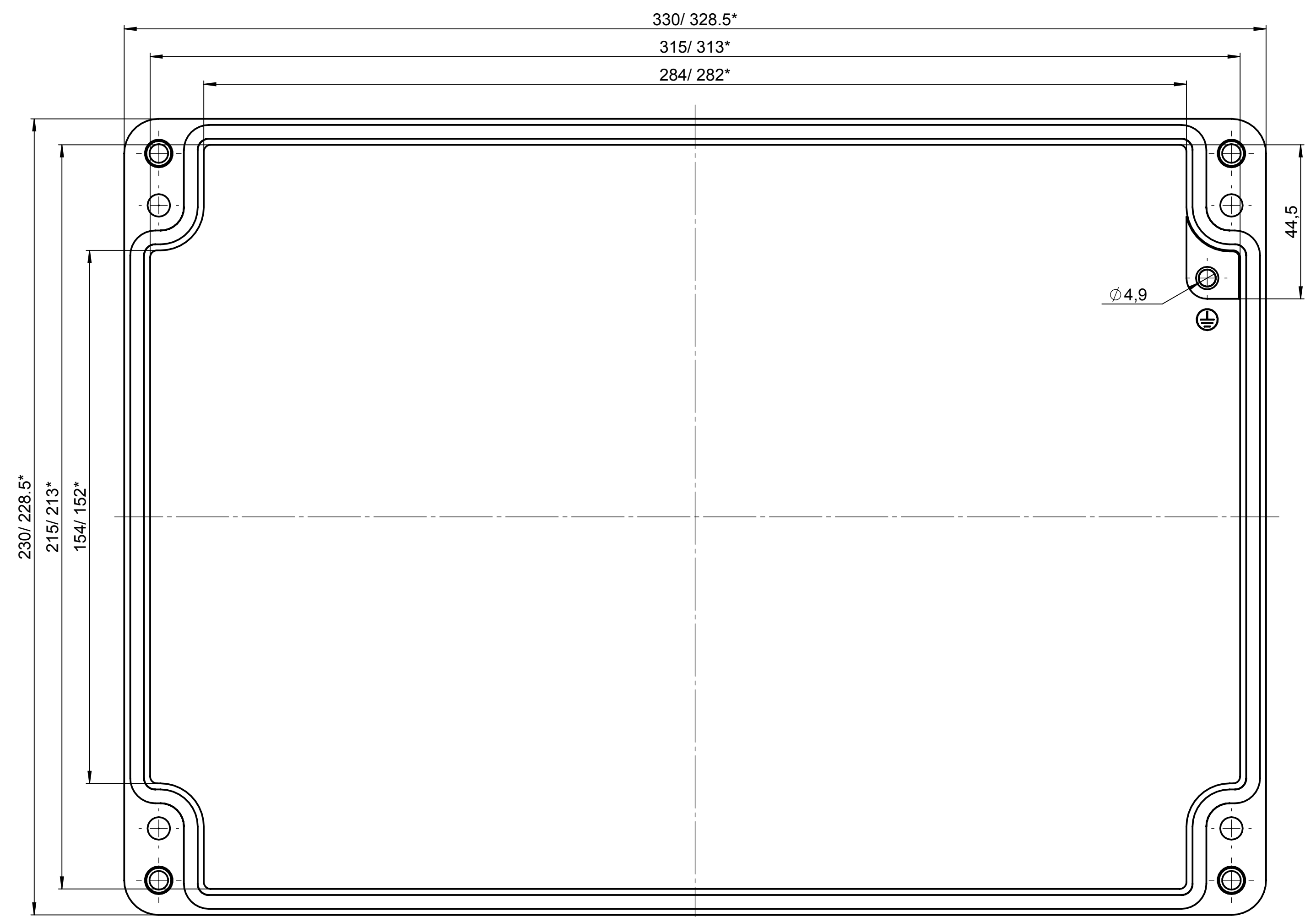
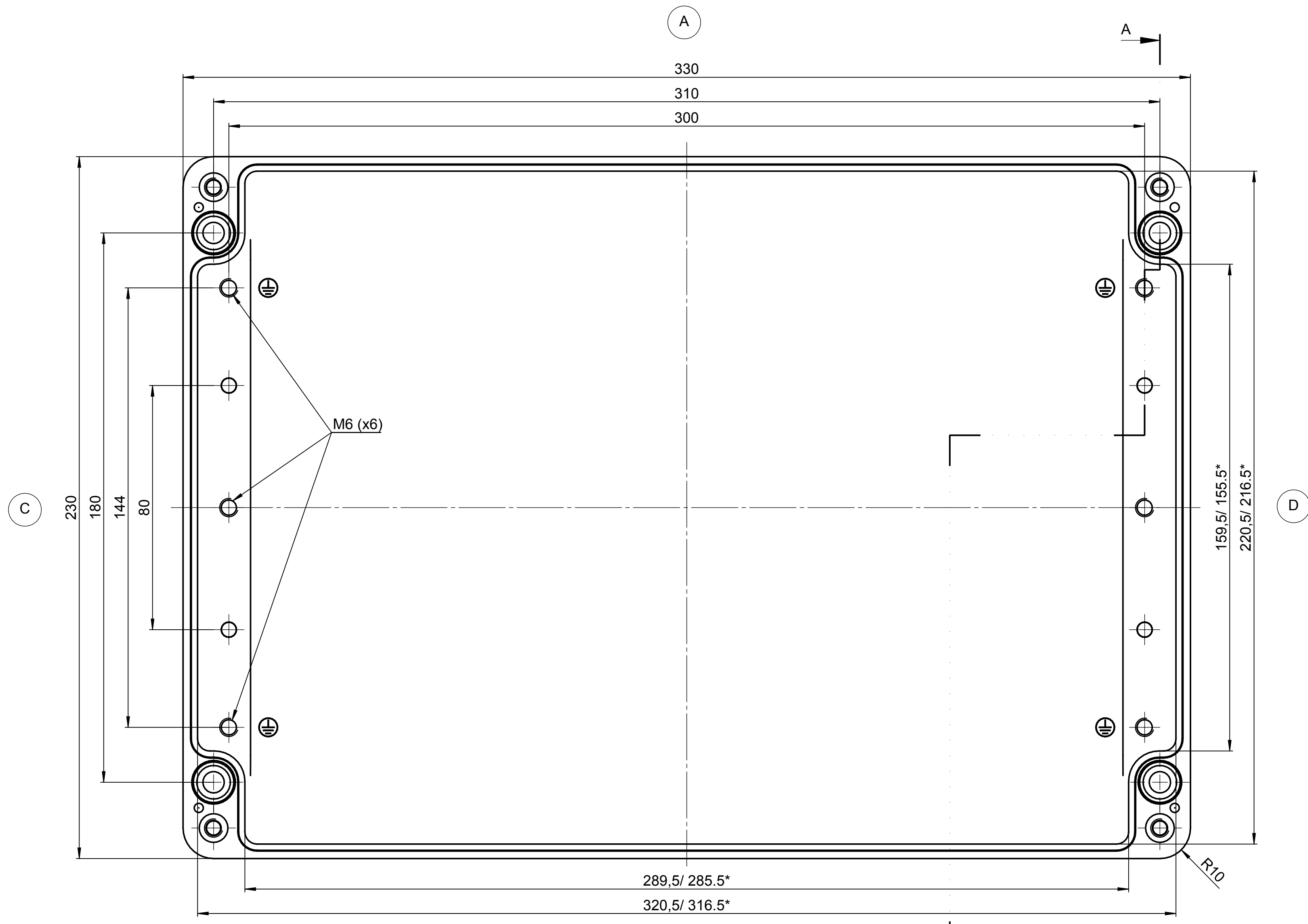


All rights reserved. No copies
 permitted without written
 permission of the
 manufacturer.

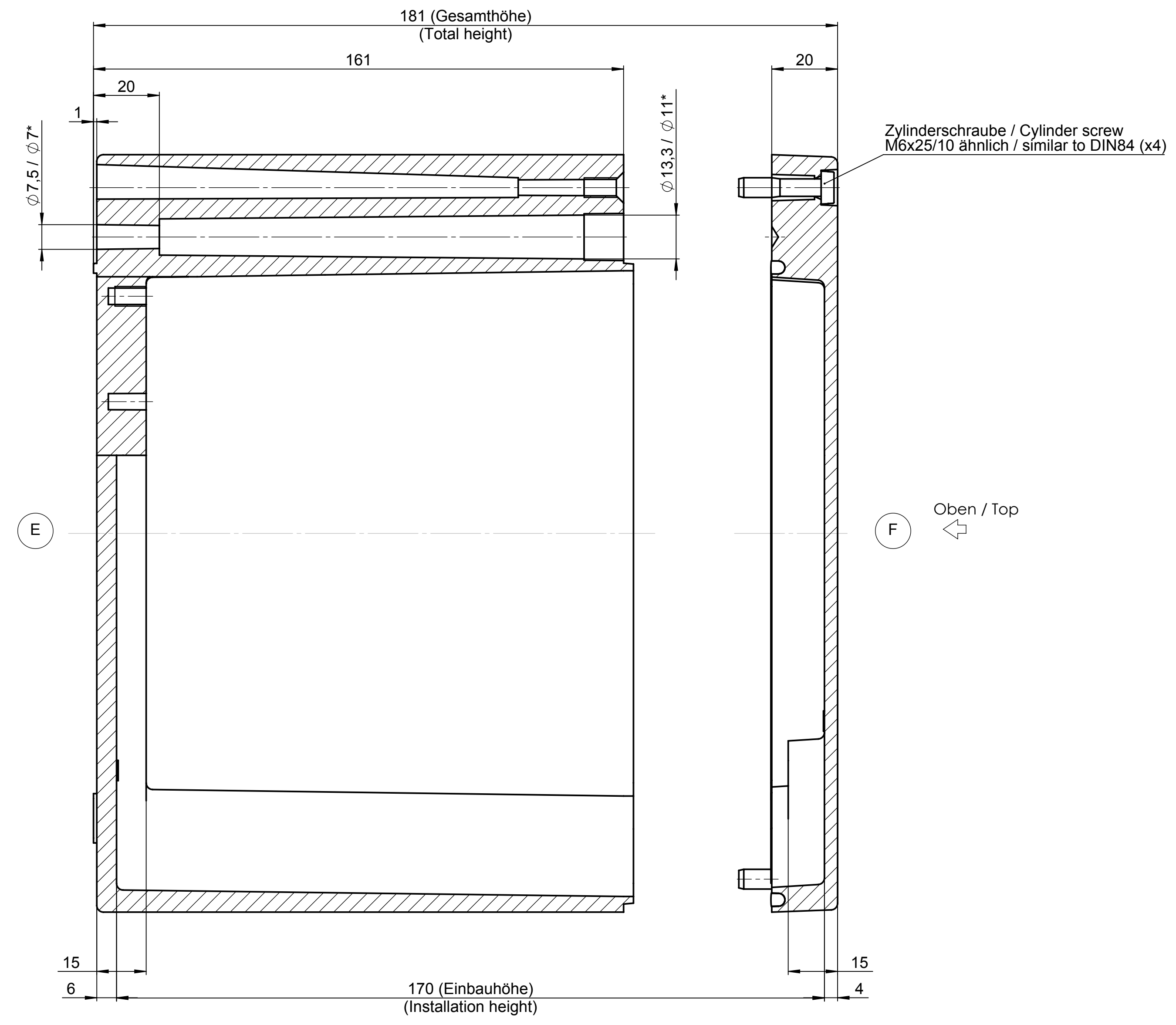


(Deckel / Lid)

* = Mass durch Formkonizität nach unten verringert.
 Freimass - Toleranz nach GTA 14/5 - DIN 1688
 * = Dimensions reduced in the lower part by mould incline
 General tolerances according to GTA 14/5 - DIN 1688



(Unterteil / Base)



Index		Änderung/Modification		Datum/Date		Name		Projekt-Nr./project-no.	
ROSE		Systemtechnik GmbH		10.11.16		D.Mack		KAT01.233318	
1:1		Benennung/Description		30.11.16		J.Pla		Gewicht/weight	
DIN A0		Aluminium Gehäuse						5.72kg	
		Aluminium enclosure						Werkstoff/Material	
								DIN 1688-GTA 13/5	