

MI DRG. NO.

4194F

REV.

4194

F

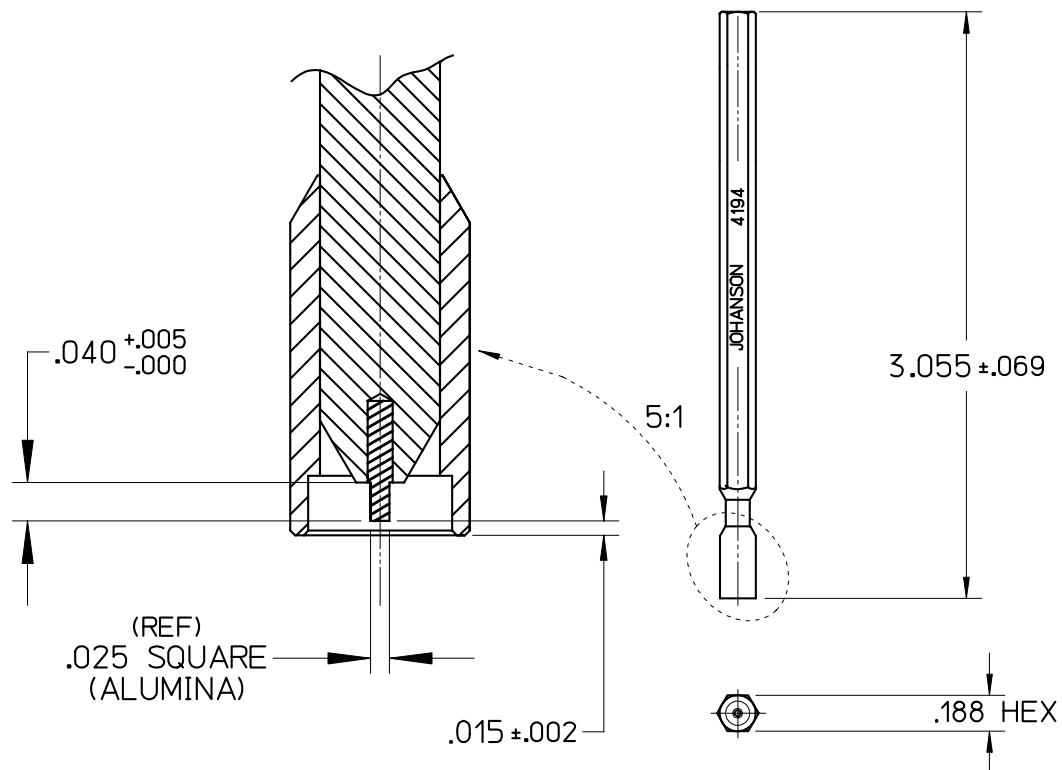
TUNING TOOL

SPECIFICATIONS

FILE: THINOUT

NOTES:

1. MATERIAL : DELRIN & ALUMINA
2. DIMENSIONS ARE IN INCHES



F	12/21/04	MLD	-	-	000167
LEVEL	DATE	DRN.	CHK.	APP.	ECN
REVISIONS					
DRN.	MLD	CHK.	MAI	APP.	JHT
DATE	12/21/04	DATE	01/04/05	DATE	01/04/05
					SCALE 1" = 1"
					.XX ± .015 .XXX ± .005



JOHANSON MANUFACTURING CORPORATION

ROCKAWAY VALLEY ROAD, BOONTON, N.J. 07005 (973)334-2676 FAX (973)334-2954
ELECTRONIC ACCURACY THROUGH MECHANICAL PRECISION

PROPRIETARY INFORMATION CONTAINED NOT TO BE USED WITHOUT JOHANSON MANUFACTURING CORPORATION APPROVAL