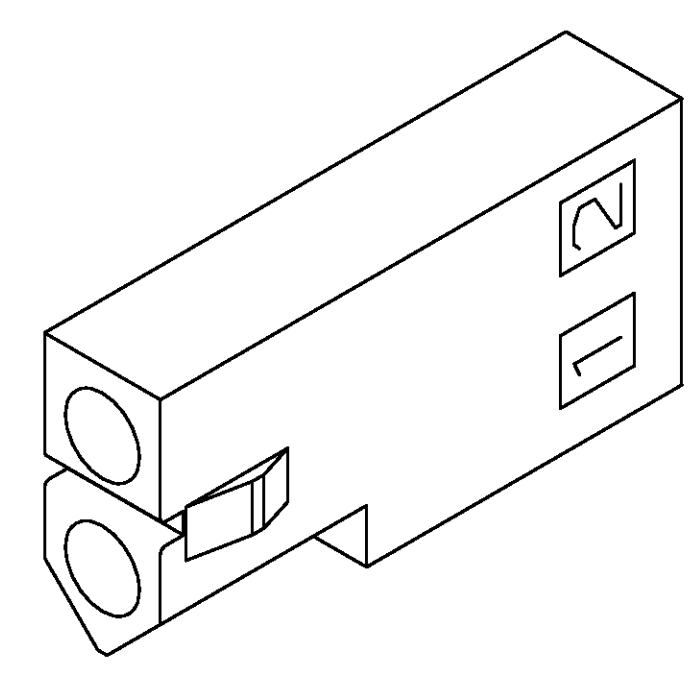
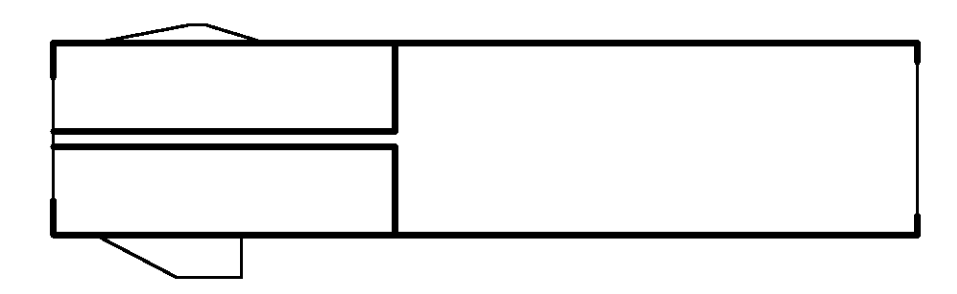
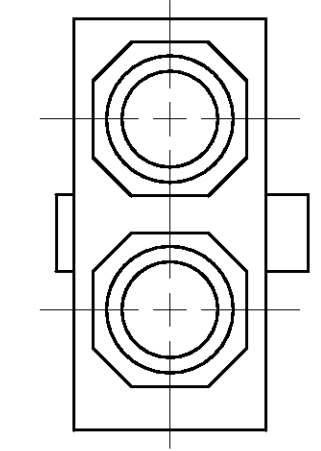
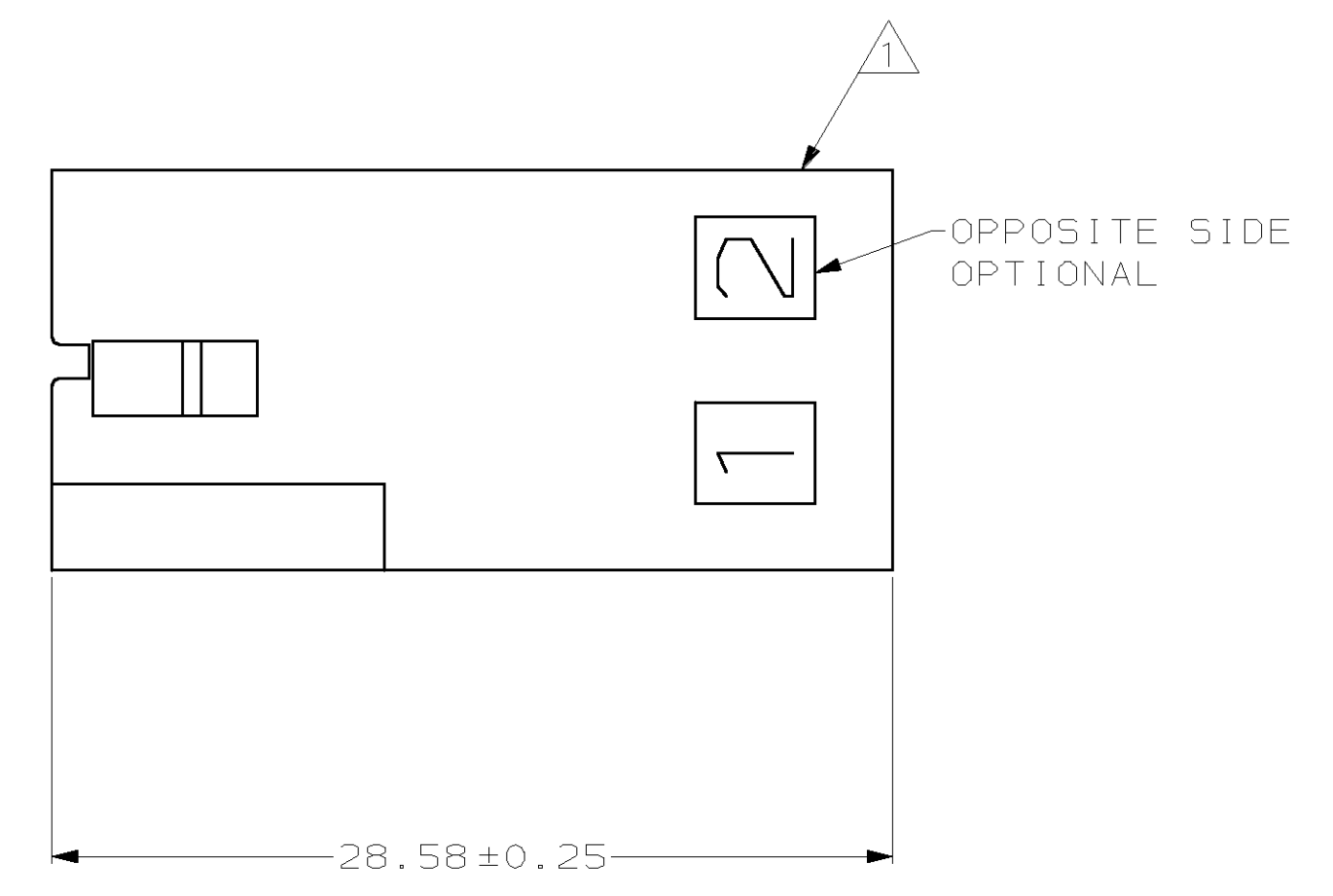
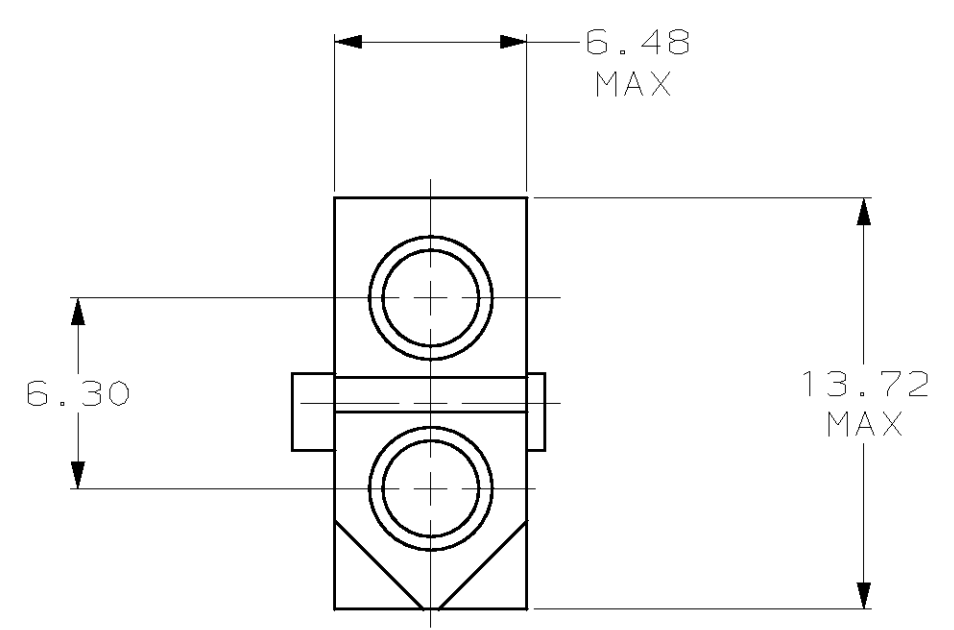


LOC	QTY	REV	DATE	BY	APPV
CM	53	H	2-13-98	KW	RS

△ MARKING FOR UL AND CSA LOGOS LOCATED ON THIS SURFACE.



3-DIMENSIONAL MODEL
NTS

MM	IN
28.58	1.125
13.72	.540
6.48	.255
6.30	.248
2.36	.093
0.25	.010
0.13	.005
MM	IN

CONVERSION TABLE

METRIC

770266-1
PART NUMBER

THIS DRAWING IS A CONTROLLED DOCUMENT.		DWN: K. WHITAKER 2-13-98	AMP AMP Incorporated Harrisburg, PA 17105-3608
DIMENSIONS: mm		CHK: R. SWING 2-13-98	
TOLERANCES UNLESS OTHERWISE SPECIFIED:		APVD: J. COBLE 2-13-98	DATE: 2-13-98
1. PLC ±.010	2. PLC ±.010	3. PLC ±.010	4. PLC ±.010
MATERIAL: NYLON, JL 94V-2, NATURAL		FINISH: -	HEIGHT: -
CUSTOMER DRAWING		SCALE: 4:1	SHEET 1 OF 1 REV H

RECEPTACLE,
2 CIRCUIT, POSITIVE LOCK,
.093 PIN AND SOCKET

A1 00779 770266