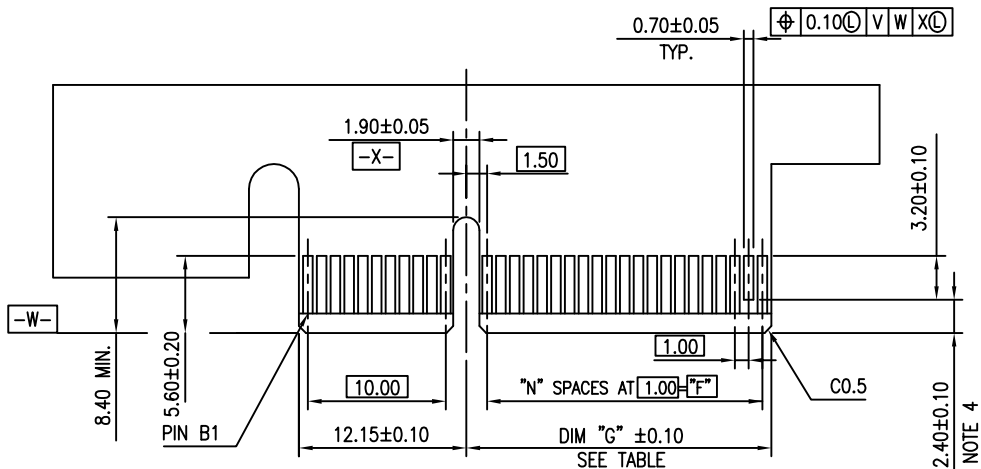


HOLD DOWN TYPE

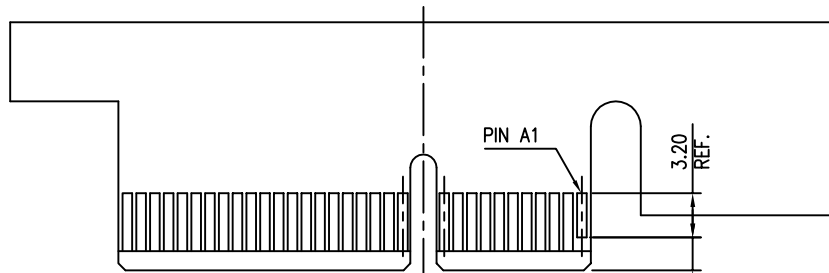
Amphenol FCI

© 2016 AFCI

mat'l. code				surface 58/ISO 1302		tolerance ISO 406 ISO 101		projection		product family			
-				✓		ISO 406 ISO 101		MM		PCI_EXPRESS			
ltr	ecn no	dr	date	tolerances unless otherwise specified				title					
L	ELX-DG-21161-1	ST	2015/05/27	angles linear	.X±.3				PCI_EXPRESS_CARD_EDGE_GEN3 ASSEMBLY(SMT)				
M	ELX-DG-24164	ZH	2016/06/01		.XX±.20								
N	ELX-DG-25671-1	ZH	2016/12/19		XXX±.10				scale 1				
P	ELX-DG-27937	ZH	2017/09/12	dr	WINSTON_ZHU	2022-05-26	Amphenol FCI		dwg no		sheet 1 of 6	size	
R	--	ZH	2018/05/23	engr	ZHENHUA_LIU	2022-05-26			10061913		A4		
S	--	ZH	2018/12/04	chr	/	/			type		CUSTOMER Drawing		
				appd	HEAVEN_CEN	2022-05-26							
sheet index		revision sheet		S									

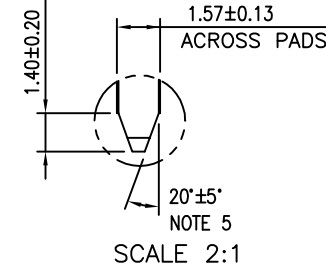


← I/O PANEL DIRECTION  
PRIMARY (COMPONENT) SIDE



I/O PANEL DIRECTION →  
SECONDARY (SOLDER) SIDE

NOTE 4  
2.40±0.10  
PIN "F" SEE TABLE

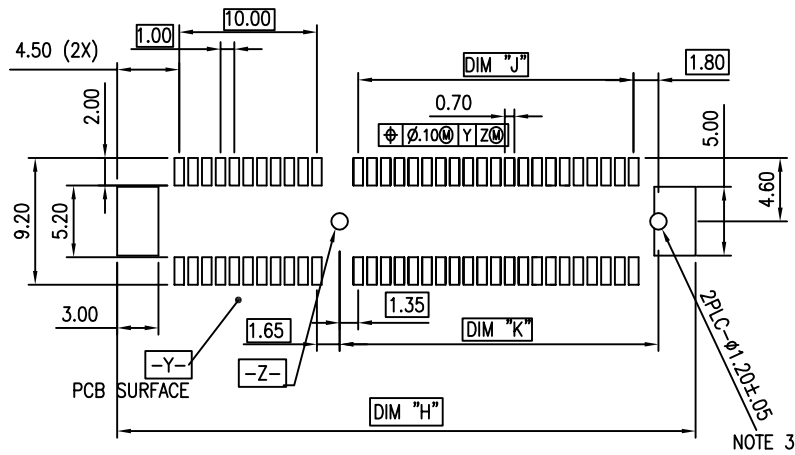


#	POS	REF.	N	DIM "G"	DIM "F"	"F"
36			6	8.15	6.00	B17
64			20	22.15	20.00	B31
98			37	39.15	37.00	B48
164			70	72.15	70.00	B81

PIN "F" SEE TABLE

ADD-IN CARD EDGE-FINGER DIMENSIONS

mat'l. code		surface 58/ISO 1302		tolerance ISO 406 ISO 101		projection		product family		
-		✓		ISO 406 ISO 101		101		PCI_EXPRESS		
ltr	ecn no	dr	date	tolerances unless otherwise specified				title		
				angles	linear	.X±.2	MM	PCI_EXPRESS_CARD_EDGE_GEN3 ASSEMBLY(SMT)		
				0°±2°		.XX±.13				
						XXX±.05	scale 2			
		dr	WINSTON_ZHU	2022-05-26			dwg no		sheet 2 of 6	size
		engr	ZHENHUA_LIU	2022-05-26			10061913		A4	
		chr	/	/						
		appd	HEAVEN_CEN	2022-05-26						
sheet index	revision	S						type		CUSTOMER Drawing
	sheet									

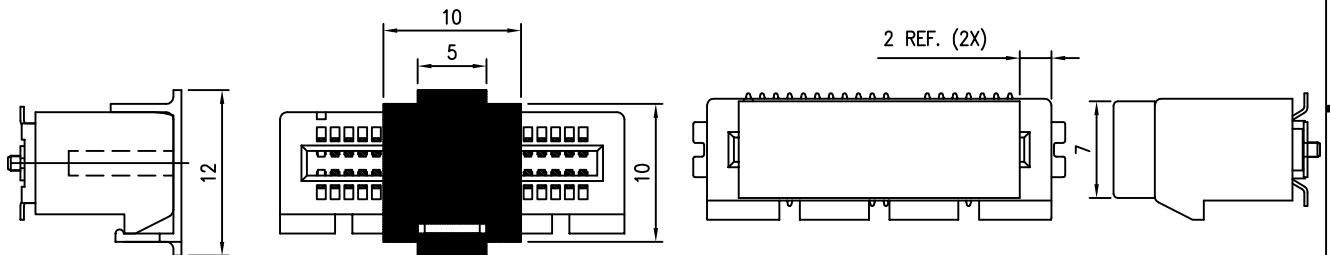


RECOMMENDED PCB LAYOUT, PAD TYPE

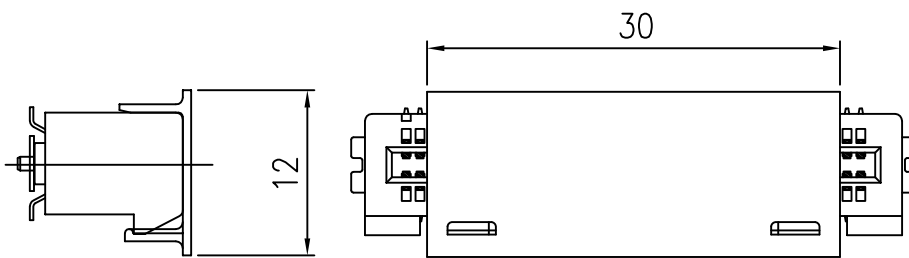
DIMENSIONS								
POSITION	A	B $\pm 0.15$ $-0.05$	C $\pm 0.20$	D $\pm 0.23$	E $\pm 0.20$	H $\pm 0.10$	J	K $\pm 0.10$
36	6.00	7.65	9.15	25.00	27.00	28.00	6.00	9.15
64	20.00	21.65	23.15	39.00	41.00	42.00	20.00	23.15
98	37.00	38.65	40.15	56.00	58.00	59.00	37.00	40.15
164	70.00	71.65	73.15	89.00	91.00	92.00	70.00	73.15

POSTION OF CAP

POSTION OF DUMMY CARD



POSTION OF CUSTOMIZED CAP(30X12)



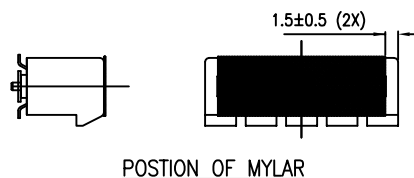
Amphenol FCI

© 2016 AFCI

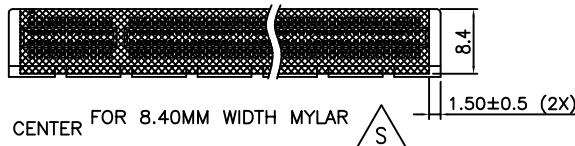
mat'l. code		surface 58/ISO 1302		tolerance ISO 406 ISO 101		projection		product family	
-		✓		ISO 406 ISO 101		MM		PCI_EXPRESS	
ltr	ecn no	dr	date	tolerances unless otherwise specified				title	
				angles linear		scale 2		PCI_EXPRESS_CARD_EDGE_GEN3 ASSEMBLY(SMT)	
				.X±.2				dwg no sheet 3 of 6 size	
				.XX±.13				10061913 A4	
				0°±2'				type CUSTOMER Drawing	
				dr	WINSTON_ZHU	2022-05-26			
				enr	ZHENHUA_LIU	2022-05-26			
				chr	/	/			
				appd	HEAVEN_CEN	2022-05-26			
sheet index	revision	S							
	sheet								

NOTES:

- 1.MATERIAL:
  - HOUSING: NYLON, GLASS FILLED UL94V-0 RATE, SUITABLE FOR I.R SOLDERING.
  - TERMINAL: COPPER ALLOY
  - PLATING: 50u" NICKEL UNDERPLATE ALL OVER  
CONTACT AREA PLATING - SEE PRODUCT NUMBER CODE  
SOLDER TAIL: TIN 100u" OVER 50u" NICKEL
  - METAL PADS: COPPER ALLOY  
FINISH: 100u" TIN OVER 50u" NICKEL



- 2.PRODUCT SPECIFICATION: GS-12-390
- ③THE HORIZONTAL AXIS FOR THE PAD PATTERN IS ESTABLISHED BY A LINE THROUGH THE CENTER OF THE TWO Ø1.0 HOLES.  
THE VERTICAL AXIS IS 90° TO THE HORIZONTAL AXIS, THROUGH THE CENTER OF DATUM [-Z-]



- ④NO TIE BAR PERMITTED FROM CARD EDGE TO LEADING EDGE OF PAD FOR PINS A1.

- ⑤CHAMFER EDGES MUST BE FREE OF CUTTING BURRS.

- 6.RoHS COMPATIBLE PRODUCT SPECIFICATIONS

a - PLATING:

- "LF" MEANS THE PRODUCT IS LEAD-FREE

b - MANUFACTURING PROCESS COMPATIBILITY

- THE HOUSING WILL WITHSTAND EXPOSURE TO 260°C±5°C PEAK TEMPERATURE FOR 5 SECONDS IN A CONVECTION, INFRA-RED OR VAPOR PHASE REFLOW OVEN.

- 7.A  $\Delta$ SYMBOL WILL BE NEXT TO ANY DIMENSION, VIEW, OR NOTE WHICH HAS BEEN MODIFIED WITH CURRENT DRAWING REVISION.



PRODUCT NUMBER CODE

10061913-X X X X L F

LEAD FREE

HOUSING COLOR OPTIONS

- 0-WHITE
- 1-BLACK

PACKAGING OPTIONS

- T-TRAY PACKAGING WITHOUT CAP
- C-TRAY PACKAGING WITH CAP
- N-TRAY PACKAGING WITH MYLAR
- G-TRAY PACKAGING WITH DUMMY CARD
- R-TAPE & REEL PACKAGING WITHOUT CAP OR MYLAR (FOR 36P & 64P & 98P OPTIONS ONLY)
- P-TAPE & REEL PACKAGING WITH CAP (FOR 36P & 64P & 98P OPTIONS ONLY)
- Q-TAPE & REEL PACKAGING WITH CAP (24MM PITCH FOR 98P ONLY)
- M-TAPE & REEL PACKAGING WITH MYLAR (FOR 36P & 64P OPTIONS ONLY)
- J-TAPE & REEL PACKAGING WITH MYLAR (24MM PITCH FOR 98P & 164P ONLY)
- A-44MM WIDTH TAPE&REEL PACKING WITH MYLAR(FOR 36P ONLY)
- Y-HARD TRAY(338x234) (FOR 36P, 98P & 164P OPTION ONLY)
- Z-HARD TRAY(338x234) WITH MYLAR (FOR 36P, 98P & 164P OPTION ONLY)
- B-HARD TRAY(338x234) WITH CAP (FOR 36P, 98P & 164P OPTION ONLY)
- U-HARD TRAY(338x234) WITH 8.40MM WIDTH MYLAR (FOR 164P ONLY)
- H-CUSTOMIZED HARD TRAY(330x235x19.3) WITH 30mm CUSTOMIZED CAP (FOR 98 & 164P OPTION ONLY)
- D-SMALLER HARD TRAY WITH CHAMFER AT LEFT-BOTTOM SIDE (323x136x19)WITH 30mm CAP(FOR 164P ONLY)
- F-SMALLER HARD TRAY WITH CHAMFER AT LEFT-BOTTOM SIDE (323x136x19) (FOR 164P ONLY)
- L-CUSTOMIZED HARD TRAY(298x185x19.3) WITH CAP (FOR 164P OPTION ONLY)
- S-CUSTOMIZED HARD TRAY(322.6x135.9x16.5) WITHOUT CAP OR MYLAR (FOR 36P& 98P OPTION)

TERMINAL PLATING OPTIONS

- 0-50u" Ni UNDERPLATE  
30u" Au CONTACT AREA  
100u" TIN TAIL AREA ----- COMPATIBLE RoHS
- 1-50u" Ni UNDERPLATE  
15u" Au CONTACT AREA  
100u" TIN TAIL AREA ----- COMPATIBLE RoHS
- 2-50u" Ni UNDERPLATE  
GOLD FLASH CONTACT AREA  
100u" TIN TAIL AREA ----- COMPATIBLE RoHS
- 3-50u" Ni UNDERPLATE  
30u" Au CONTACT AREA  
GOLD FLASH TAIL AREA ----- COMPATIBLE RoHS

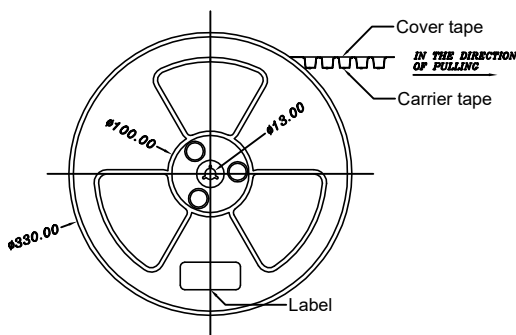
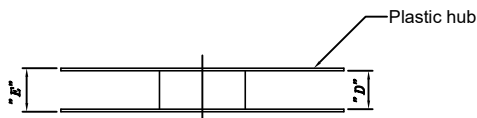
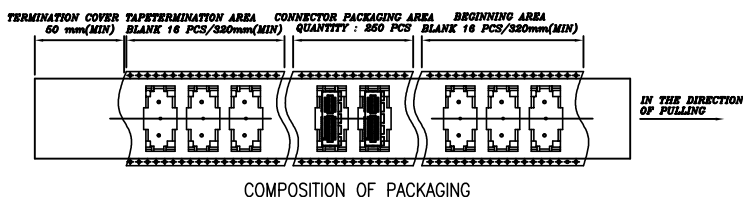
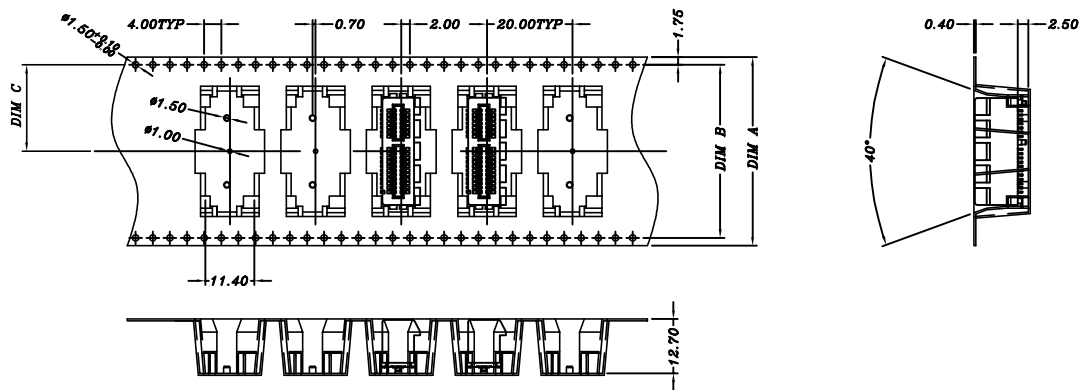
POS OPTIONS

- 0-36
- 1-64
- 2-98
- 3-164

Amphenol FCI

© 2016 AFCI

mat'l. code				surface 58/ISO 1302		tolerance ISO 406 ISO		projection		product family				
-				ISO 1302		ISO 406 ISO		101		PCI_EXPRESS				
ltr		ecn no		dr		date		tolerances unless otherwise specified		title				
								.X±.2		PCI_EXPRESS_CARD_EDGE_GEN3 ASSEMBLY(SMT)				
								linear		MM				
								.XX±.13						
								XXX±.05		scale 2				
				dr		WINSTON_ZHU		2022-05-26		dwg no		sheet 4 of 6		size
				engr		ZHENHUA_LIU		2022-05-26		10061913				A4
				chr		/		/		Amphenol FCI				
				appd		HEAVEN_CEN		2022-05-26		type		CUSTOMER Drawing		
sheet index		revision		S										
		sheet												



TAPE AND REEL  
 PACKING  
 RECOMMENDED FOR  
 36PINS ONLY

DIMENSIONS					
POSITIONS	A	B	C	D REF.	E REF.
36 (10061913-xxxALF)	44.00	40.40	20.20	44.5	50.5
36	56.00	52.60	26.30	56.4	60.4
64	56.00	52.60	26.30	56.4	60.4
98	88.00	79.60	39.80	88.4	92.4

Amphenol  
 FCI

© 2016 AFCI

mat'l. code		surface 58/ISO 1302		tolerance ISO 406 ISO 101		projection		product family PCI_EXPRESS				
ltr	ecn no	dr	date	tolerances unless otherwise specified				MM	title			
				angles	linear		PCI_EXPRESS_CARD_EDGE_GEN3 ASSEMBLY(SMT)					
				0°±2'	xxx±.10		scale 1	dwg no		sheet 5 of 6	size	
				dr	WINSTON_ZHU	2022-05-26	Amphenol FCI		10061913		A4	
				engr	ZHENHUA_LIU	2022-05-26			type		CUSTOMER Drawing	
				chr	/	/						
				appd	HEAVEN_CEN	2022-05-26						
sheet index	revision sheet	s										

1 For PCI EXPRESS SMT TYPE 36P ONLY.

2. Material :

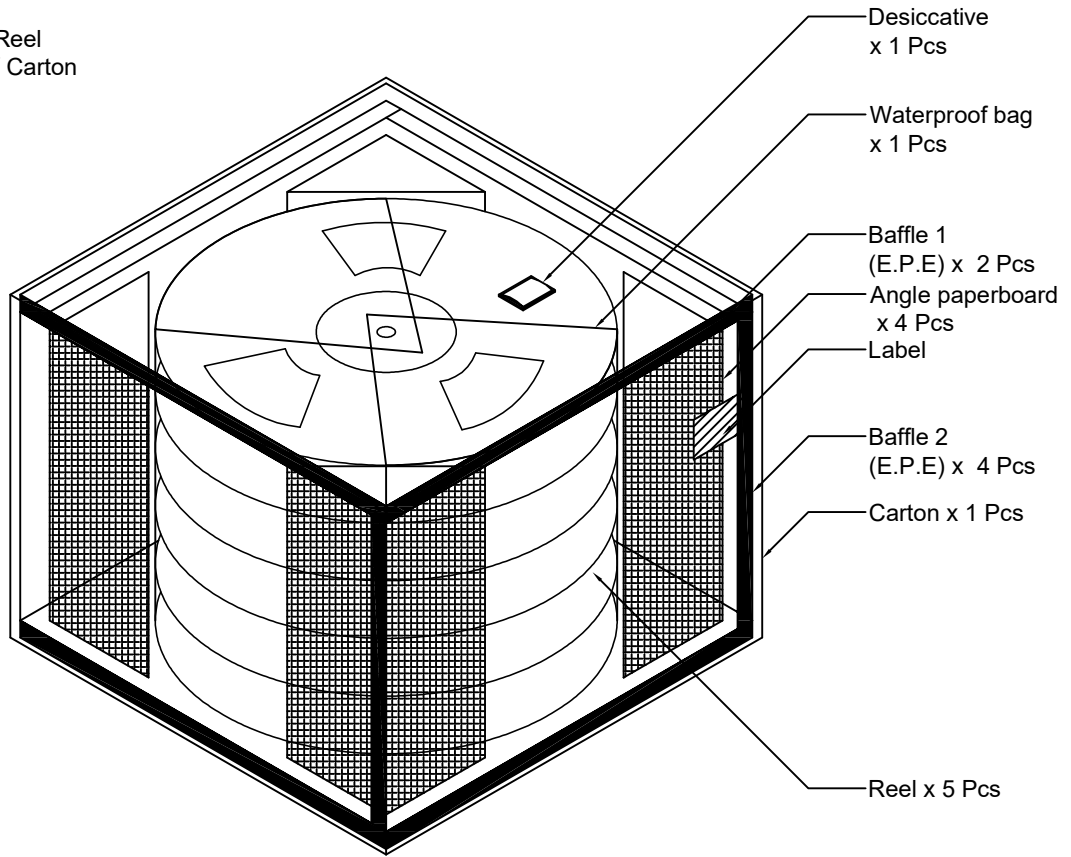
- 2.1 Reel :
  - 2.1.1 Plastic hub : High Impact Polystyrene
  - 2.1.2 Cover tape : PE
  - 2.1.3 Carrier tape : ABS
- 2.2 Waterproof bag : PE
- 2.3 Desiccative : Silica Gel
- 2.4 Carton : Corrugated paper
- 2.5 Baffle : E.P.E
- 2.6 Angle paperboard : Corrugated paper

3. Dimension :

- 3.1 Reel :
  - 3.1.1 Plastic hub :  $\phi 330 \times T50.5$  mm
  - 3.1.2 Cover tape : 5690(L) x 37.4(W) mm
  - 3.1.3 Carrier tape : 5640(L) x 44(W)mm
- 3.2 Waterproof bag : 600(H) x 465(W) x 0.06(T) mm
- 3.3 Desiccative : 25 gram / Package
- 3.4 Carton : 380(L) x 380(W) x 300(H) mm
- 3.5 Baffle (1): 370(L) x 370(W) x 15(H) mm
- 3.6 Baffle (2): 355(L) x 252(W) x 15(H) mm
- 3.7 Angle paperboard : 252(H)

4. Quantity :

- 4.1 250 Pcs / Reel
- 4.2 1250 Pcs / Carton



Amphenol FCI

© 2016 AFCI

mat'l. code		surface 58/ISO 1302		tolerance ISO 406 ISO 101		projection		product family		
-		✓				101		PCI_EXPRESS		
ltr	ecn no	dr	date	tolerances unless otherwise specified				title		
				angles	.X±.3		MM		PCI_EXPRESS_CARD_EDGE_GEN3 ASSEMBLY(SMT)	
				linear	.XX±.20		← →			
				0°±2'	XXX±.10		scale 1			
		dr	WINSTON_ZHU	2022-05-26			dwg no		sheet 6 of 6	size
		enr	ZHENHUA_LIU	2022-05-26			10061913			A4
		chr	/	/						
		app	HEAVEN_CEN	2022-05-26					type	
								CUSTOMER Drawing		
sheet index	revision	S								
	sheet									