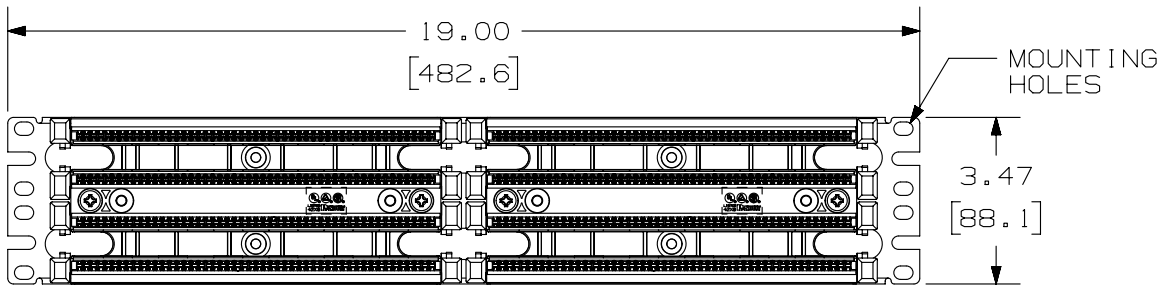
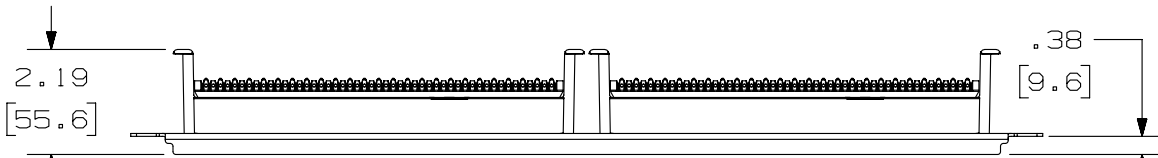


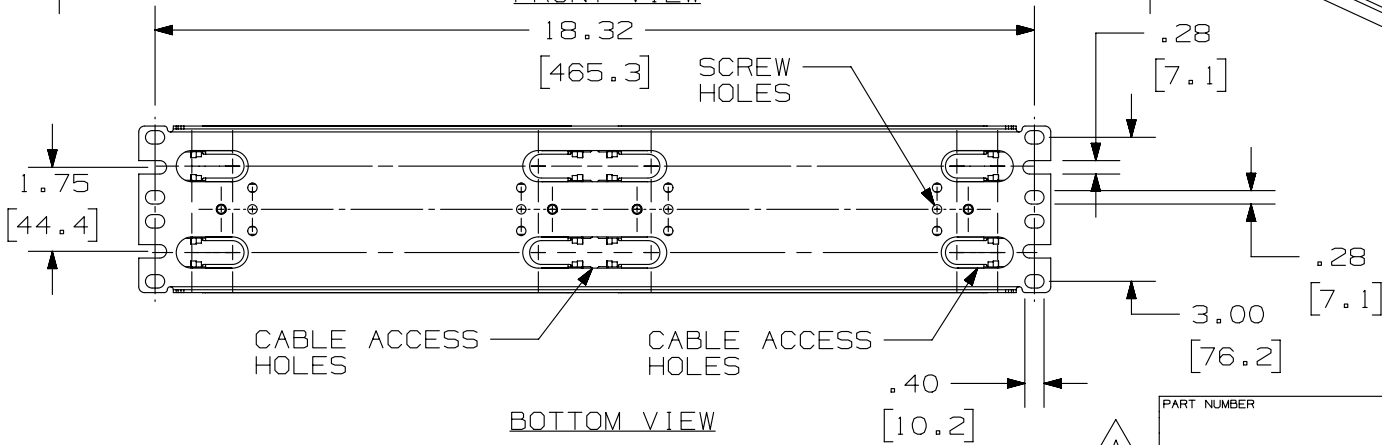
THIS COPY IS PROVIDED ON A RESTRICTED BASIS AND IS NOT TO BE USED IN ANY WAY DETRIMENTAL TO THE INTERESTS OF PANDUIT CORP.



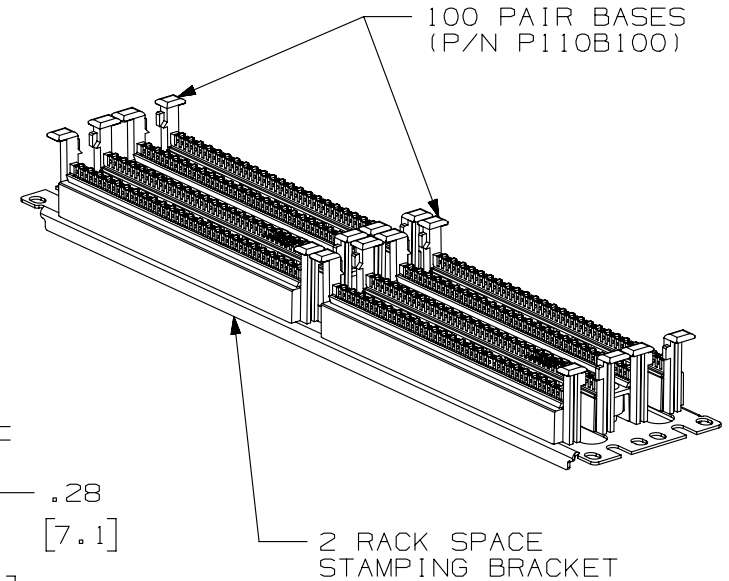
TOP VIEW



FRONT VIEW



BOTTOM VIEW



PANDUIT PART NO.	WEIGHT
P110B1004R2Y	2.59 LB/ea (1177.3 g/ea)
P110B1005R2Y	2.59 LB/ea (1177.3 g/ea)

PART NUMBER		P110B100*R2Y	
TITLE			
110 RACK MOUNTABLE BASE WITH CONNECTOR KIT			
CUSTOMER DRAWING			
ITEM REVISION NAME		D35735AC/04	
DATASET FILE NAME		M02479NF_DC345/05A	
UNLESS OTHERWISE SPECIFIED, DIMENSIONAL TOLERANCES ARE: IN [mm]		MATERIAL:	
.x ± .xxx ± .010 [.3]		110 BASES - POLYCARBONATE	
.xx ± .03 [.8]		BRACKET - 16 GAUGE C.R.S.	
ANGLES ±		DRAWING NUMBER:	
THIRD ANGLE PROJECTION		02479-345	
DRAWN BY	DATE	CHK	SCALE
NER	3-25-06	WJC	NONE
REV	DATE	BY	CHK
2	5-26-14	MDJR	REFR
APR	MMR	A. UPDATED TITLE BLOCK. PREVIOUS REVISIONS HAVE BEEN REMOVED FOR CLARITY.	
DESCRIPTION	ECN	02479-345	
REV	DATE	BY	CHK
2	5-26-14	MDJR	REFR
APR	MMR	A. UPDATED TITLE BLOCK. PREVIOUS REVISIONS HAVE BEEN REMOVED FOR CLARITY.	
DESCRIPTION	ECN	02479-345	


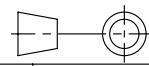
D10100DA/14

THIS COPY IS PROVIDED ON A RESTRICTED BASIS AND IS NOT TO BE USED IN ANY WAY DETRIMENTAL TO THE INTERESTS OF PANDUIT CORP.

NOTES:

1. SEE CURRENT CATALOG FOR ADDITIONAL PART NUMBER SUFFIXES TO INDICATE PACKAGE QUANTITY.
2. STAMPING ASSEMBLY IS DESIGNED FOR RACK MOUNT APPLICATIONS.
3. 110 BASES ARE PRE-ASSEMBLED TO BRACKET. (4) #12 MOUNTING SCREWS AND (4) METRIC M6x1x15MM SCREWS ARE ALSO PROVIDED.
4. A 110 WIRING BLOCK KIT IS ALSO INCLUDED WITH EACH ASSEMBLY (SEE CHART).
5. DIMENSIONS IN PARENTHESES ARE IN METRIC.

110 WIRING BLOCK KIT				
	CONNECTING BLOCK 4 PAIR	CONNECTING BLOCK 5 PAIR	LABEL HOLDER	LABEL
P110B1004R2Y	40	8	4	4
P110B1005R2Y	-	40	4	4

PART NUMBER		P110B100*R2Y	
TITLE		110 RACK MOUNTABLE BASE WITH CONNECTOR KIT	
		CUSTOMER DRAWING	
ITEM REVISION NAME		D35735AC/04	
DATASET FILE NAME		M02479NF_DC345/05A	
UNLESS OTHERWISE SPECIFIED, DIMENSIONAL TOLERANCES ARE: IN [mm]			
.X ± .03 [.8] .XXX ± .010 [.3] .XX ± .03 [.8] ANGLES ±			
DRAWING NUMBER:		02479-345	
DRAWN BY		NER	
DATE		3-25-06	
CHK		WJC	
SCALE		NONE	
THIRD ANGLE PROJECTION			
SHT 2 OF 2		A	

REV	DATE	BY	CHK	APR	DESCRIPTION	ECN
2	5-26-14	MDJR	REFR	MMR	SEE SHEET 1 OF 2 FOR CHANGES.	02479-345

D10100DA/14