

Preliminary

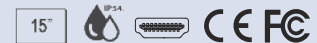
UPOS-M15 Series

POS monitor UPOS-M15



Features

- 15.1" TFT display in LED backlight
- Flat and borderless front P-CAP touch panel design
- IP65 on front panel
- Reserved side hatch for optional module.
- 75 x 75mm VESA mount
- VGA and HDMI input
- Build in speaker



Introduction

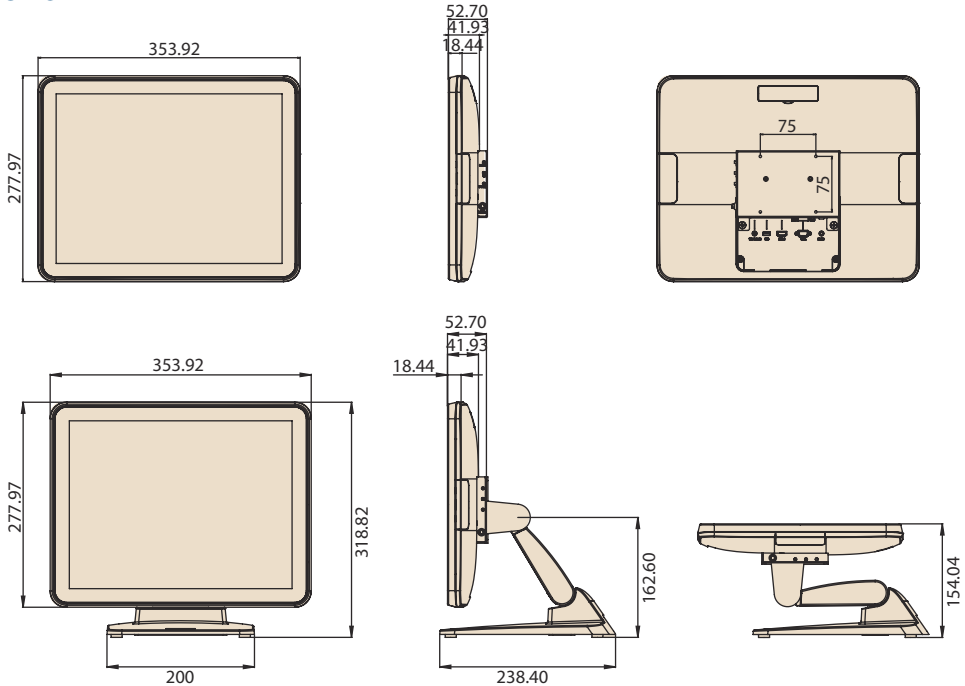
M15 monitor is designed to fit your point of sale system need. Monitor mounted borderless touch panel allow you to finger touch operating the system. Sleek and thin design provide a modern looking. M15 be able to mount through the standard VESA holes on pole, arm or wall mount. Desktop stand option is also available. Display back reserved hatched to mount the optional peripherals.

Specifications

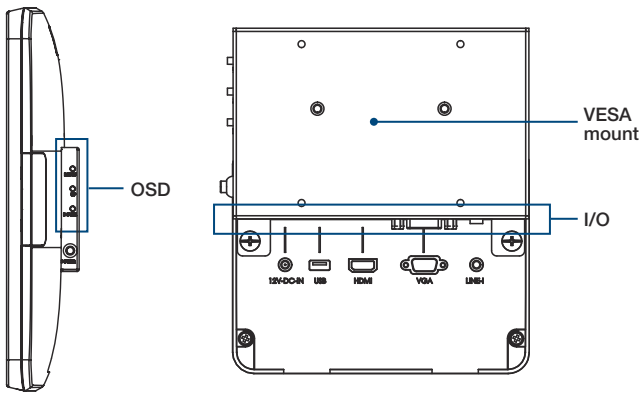
Display	Panel Resolution	15" TFT LCD (LED backlight) / 1024 x 768
	Brightness	250 cd/ m ²
	Touch Screen	P-Cap Touch
External I/O	Video in	VGA Port (DSUB-15) HDMI
	Audio in	3.5mm jack
	USB	For Touch panel
	DC-In	2-pin power jack
Control Button	Power	Power on/off
	Menu	OSD menu
	Up	selection up
	Down	selection down
Others	Speaker	2W x 2
	Mount	VESA mount 75 x 75 mm
	Hatch	Right/Left/Top hatch reserved mounting for optional modular
	Adapter	12V 25 wattage power adapter
Optional Modular	side mount Peripherals	<ul style="list-style-type: none">▪ MSR▪ MSR + iButton▪ MSR + Fingerprint▪ MSR + RFID▪ MSR + IC card
Mechanical & Environmental	Case Color	Black /White / Black + Orange
	Water resistance	IP-65 on front panel
	Operation Temperature	0 ~ 40° C (32 ~ 104° F)
	Humidity	10 ~ 95% @ 40° C non-condensing
	EMI / Safety	FCC/CE
Software	OS Support	Win 10, Win 8.0, Win 7, POS Ready 7

Dimensions

Unit: mm



I/O View



Ordering Information

Part Number	Description
UPOS-M15P-AST00	15" 4:3 POS monitor with P-cap touch, HDMI, VGA, Black
UPOS-M15R-AST00	15" 4:3 POS monitor with resistive touch, HDMI, VGA
UPOS-M15G-AST00	15" 4:3 monitor, HDMI, VGA

Monitor stand

Part Number	Description
UPOS-P07-A100	M15 monitor stand, double hinge, VESA75x74, BK

Accessory (Cable)

Part Number	Description
1700020669-01	M Cable USB-A 4P(M)/USB-A 4P(M) 50cm
1700023588-01	M Cable USB-A 4P(M)/USB-A 4P(M) 120cm
17AP164100618010	D3.5 audio cable 1.8M
17AP164103018010	VGA cable 1.8M

BOX PC (UPOS-540)

Part Number	Description
UPOS-540DP-AST00	Baytrail J1900, 500G HD, 4G RAM, DP, VGA, USB x4, COM x4
UPOS-540DP-AST10	Baytrail J1900, 500G HD, 4G RAM, DP, VGA, USB x6, COM x6
UPOS-540FP-ACL00	Skylake-U Celeron, 500G HD, 4G RAM, DP, VGA, USB x4, COM x4
UPOS-540FP-AI300	Skylake-U Core i3 6100U, 500G HD, 4G RAM, DP, VGA, USB x4, COM x4
UPOS-540FP-AI500	Skylake-U Core i5 6300U, 500G HD, 4G RAM, DP, VGA, USB x4, COM x4