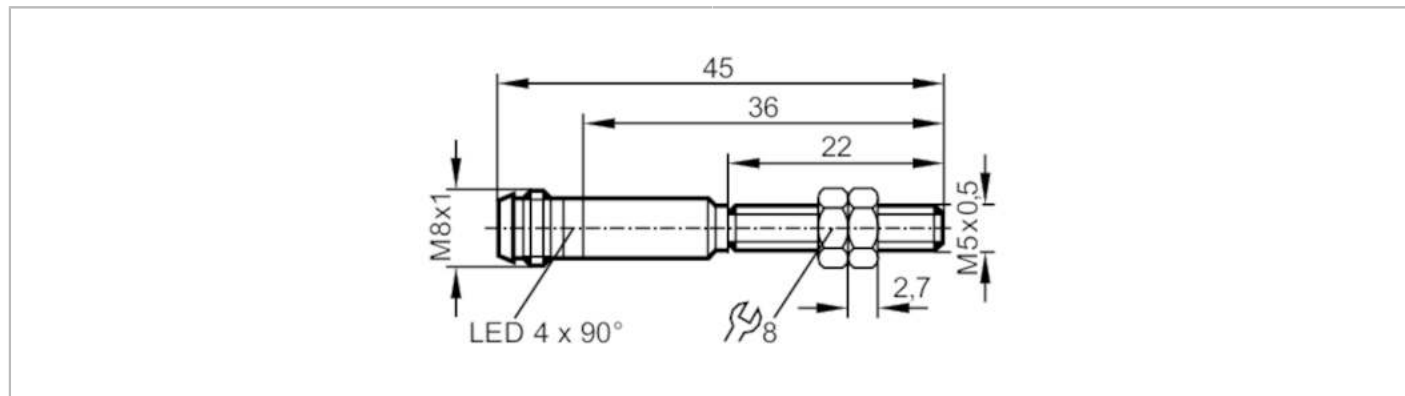


# IY5036



## Inductive sensor

IYB30,8-BPKG/V2A/AS-514 RT



### Product characteristics

Electrical design		PNP
Output function		normally open
Sensing range	[mm]	0.8
Housing		threaded type
Dimensions	[mm]	M5 x 0.5 / L = 45

### Electrical data

Operating voltage	[V]	10...36 DC
Current consumption	[mA]	15; (24 V)
Protection class		III
Reverse polarity protection		yes

### Outputs

Electrical design		PNP
Output function		normally open
Max. voltage drop switching output DC	[V]	2.5
Permanent current rating of switching output DC	[mA]	100
Switching frequency DC	[Hz]	2000
Short-circuit protection		yes
Type of short-circuit protection		pulsed
Overload protection		yes

### Detection zone

Sensing range	[mm]	0.8
Real sensing range Sr	[mm]	0.8 ± 10 %
Operating distance	[mm]	0...0.65

### Accuracy / deviations


Correction factor		steel: 1 / stainless steel: 0.7 / brass: 0.5 / aluminium: 0.4 / copper: 0.3
Hysteresis	[% of Sr]	1...15
Switch point drift	[% of Sr]	-10...10

# IY5036



## Inductive sensor

IYB30,8-BPKG/V2A/AS-514 RT

Operating conditions		
Ambient temperature	[°C]	-25...70
Protection		IP 65
Tests / approvals		
EMC	EN 60947-5-2	
	EN 55011	class B
	Ta	-25...70 °C
UL approval	Enclosure type	Type 1
	power supply	Class 2
	File number UL	E174191
Mechanical data		
Weight	[g]	10.8
Housing		threaded type
Mounting		flush mountable
Dimensions	[mm]	M5 x 0.5 / L = 45
Thread designation		M5 x 0.5
Materials		stainless steel (1.4305 / 303); sensing face: POM
Displays / operating elements		
Display	switching status	4 x 90° LED, red
Accessories		
Items supplied		lock nuts: 2
Remarks		
Pack quantity		1 pcs.
Electrical connection - plug		
Connector: 1 x M8; coding: A		
		



# IY5036



## Inductive sensor

IYB30,8-BPKG/V2A/AS-514 RT

### Connection

