

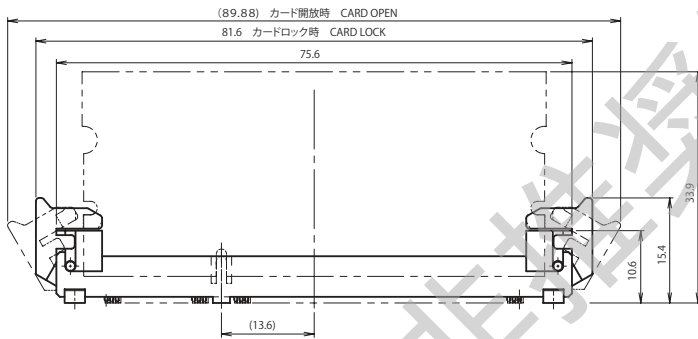
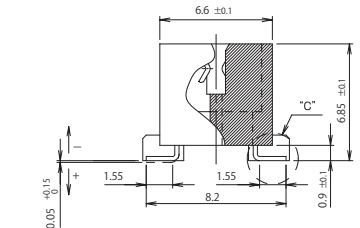
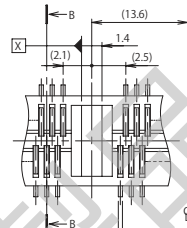
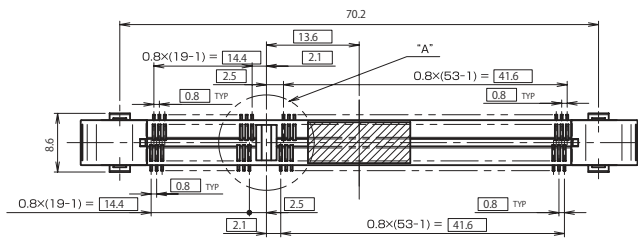
0.8mm Pitch

SERIES

6404

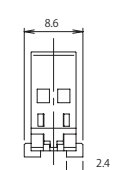
DDR2 S.O.DIMM ST SMT 144極

DDR2 S.O.DIMM Vertical SMT 144 Positions

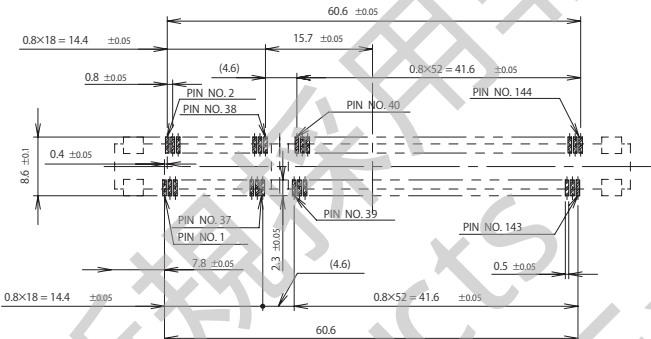


DETAIL "A"

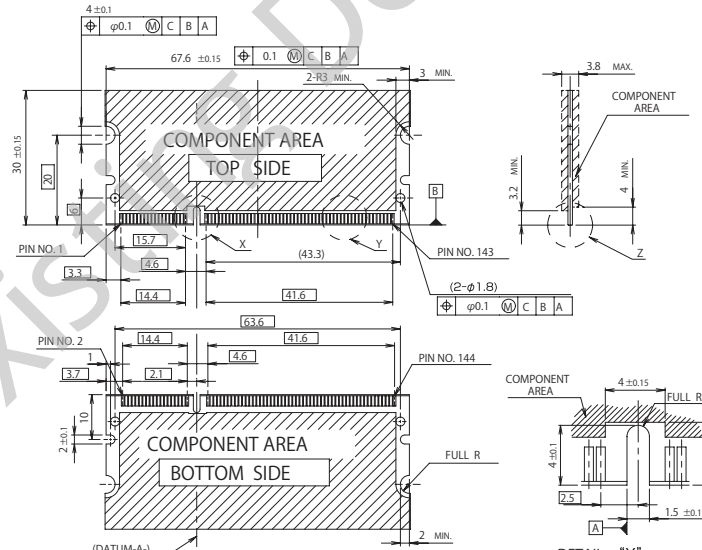
SECT. B-B



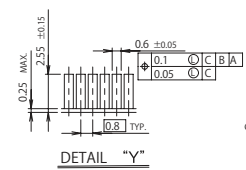
DETAIL "C"



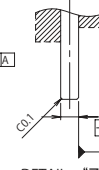
基板取付寸法
MOUNTING LAYOUT



DETAIL "X"

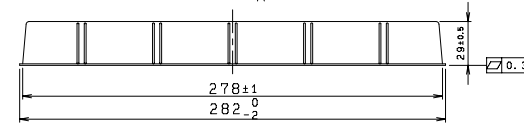
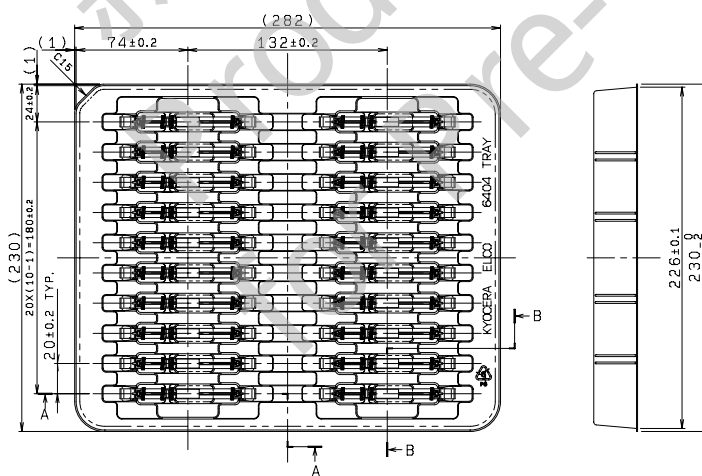


DETAIL "Y"



DETAIL "Z"

推奨メモリー基板寸法
RECOMMENDED MEMORY BOARD LAYOUT



注文コード ORDERING CODE
29 6404 144 101 856+

極数 NUMBER OF POSITIONS

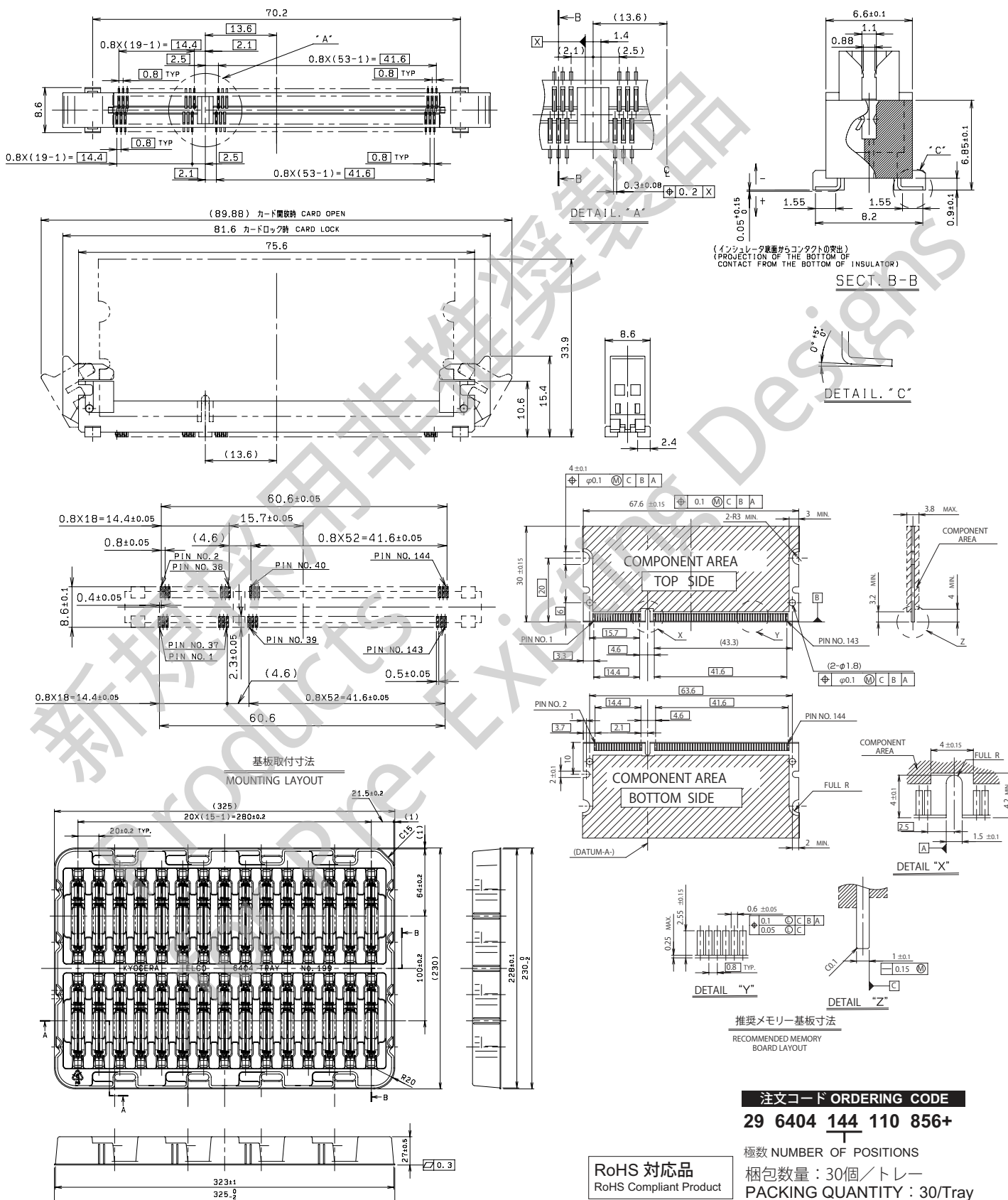
梱包数量: 20個/トレイ
PACKING QUANTITY: 20/Tray

RoHS 対応品
RoHS Compliant Product

0.8mm Pitch
SERIES

6404

DDR2 S.O.DIMM ST SMT 144極 (スタビライザ付き)
DDR2 S.O.DIMM Vertical SMT 144 Positions (With Stabiliser)



注文コード ORDERING CODE

29 6404 144 110 856+

極数 NUMBER OF POSITIONS
梱包数量: 30個/トレイ
PACKING QUANTITY: 30/Tray

RoHS 対応品
RoHS Compliant Product