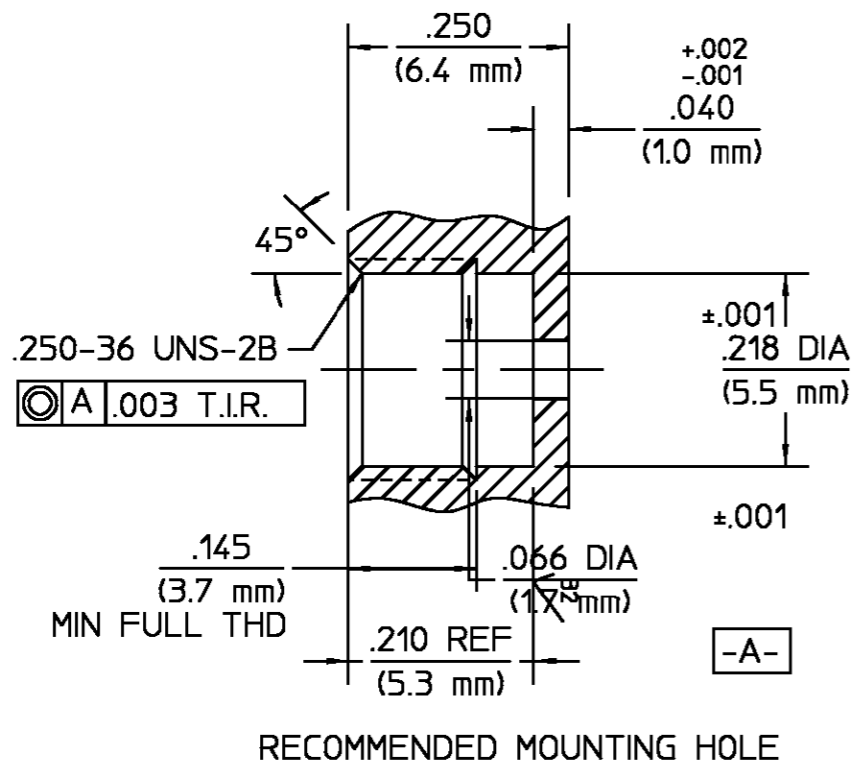
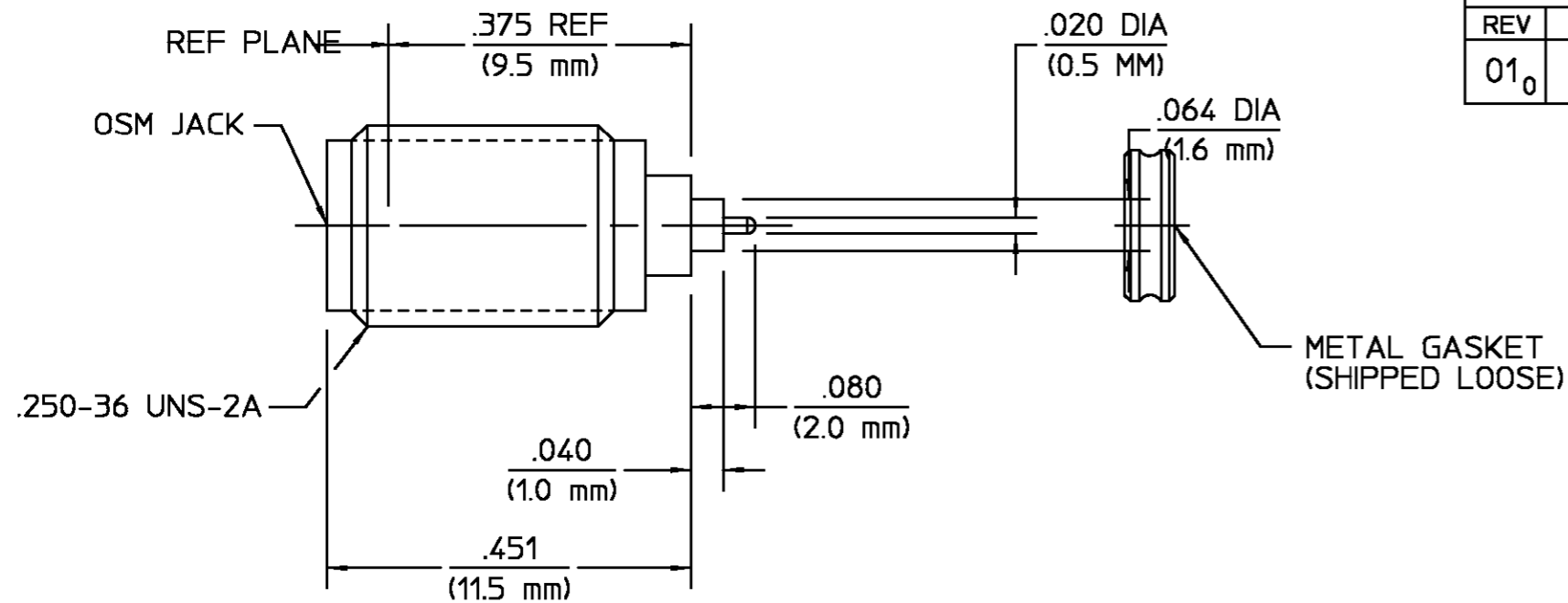


REVISIONS			
REV	DESCRIPTION	DATE	APPROVED
01 ₀	RELEASED	12/6/88	N.BRODEUR



NOTES:

1. CAPTURED CENTER CONTACT

HOUSING	STAINLESS STEEL PER ASTM-A484 AND ASTM-A582, TYPE 303	GOLD PLATE PER MIL-G-45204
DIELECTRIC	TFE FLUOROCARBON PER ASTM-D-1457	N/A
CTR CONTACT	BERYLLIUM COPPER PER ASTM-B196 OR ASTM-B197 ALLOY C17300, COND H	GOLD PLATE PER MIL-G-45204
CONTACT EXT BUSHING	IRON-NICKEL-COBALT ALLOY PER MIL-I-23011 (KOVAR)	GOLD PLATE PER MIL-G-45204
METAL GASKET	IRON-NICKEL-COBALT ALLOY PER MIL-I-23011 (KOVAR)	TIN PLATE PER MIL-T-10727
HERMETIC SEAL	GLASS BEAD	N/A

COMPONENT	MATERIAL	FINISH
UNLESS OTHERWISE SPECIFIED DIMENSIONS ARE IN INCHES TOLERANCE ON		
FRAC DEC ANGLES		
± 1/64 ±.005 ± °		
DRAWN BY K.C.MAHER DATE 12/6/88		AMP AMP Incorporated 140 Fourth Avenue Waltham, MA 02451-7599
CHECKED BY BB 12/6/88		
APPROVED BY N.BRODEUR 12/6/88		
USE ASS'Y PROCEDURE		TITLE OSM ENVIRONMENTALLY DURABLE SPARK PLUG HERMETICALLY SEALED
408-04847		SIZE B CODE IDENT NO. 26805 2058-3415-00 REV 01 ₀
NO. A.P. (20-600)		SCALE 5:1 SHEET 1 OF 1

These drawings and specifications are the property of Omni Spectra Incorporated and shall not be reproduced or copied or used in whole or in part as the basis for the manufacture or sale of item(s) without written permission.

CUSTOMER DRAWING

AMP PART # 1053181-1
SHEET 1 OF 1 REV A