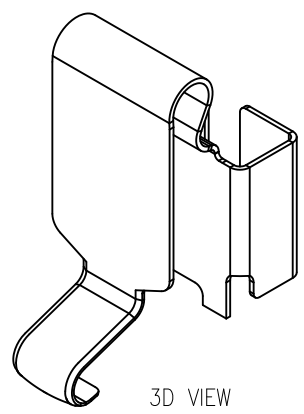
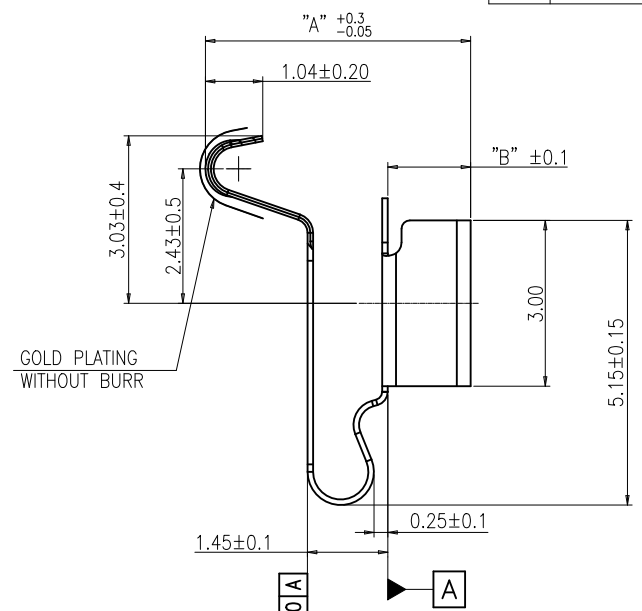
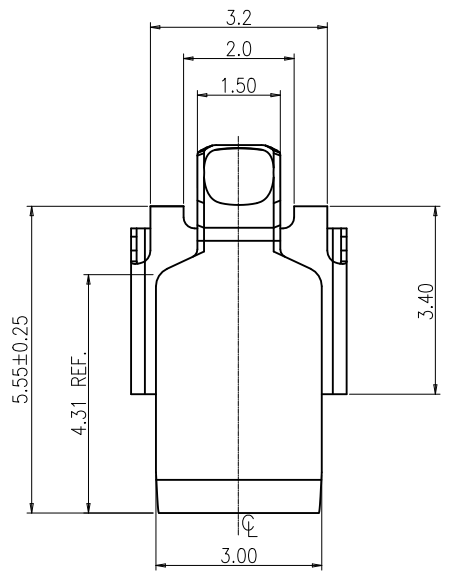


REV.	ECR/ECN No.	DESCRIPTION	DRAWN/DATE	CHECKED/DATE	APPROVED/DATE
C	ECN2020073	Added H7.5 specification	Staven 2020-09-03	Staven 2020-09-03	Biao 2020-09-03
D	ECN2022112	UPDATE CPK SYMBOLS	Abner 2022-07-20	Staven 2022-07-20	Sam 2022-07-20



- NOTES:
1. MATERIAL: C5210-EH T=0.10±0.01mm;
 2. BURR 0.03mm MAX.
 3. PLATING: Au 2u" SURFACE PLATING OVER CONTACT AREAS, Au 2u" SURFACE PLATING OVER SOLDER AREAS, Ni 40-120u" UNDER PLATING OVER ALL.
 4. ALL MATERIALS COMPLY WITH ROHS MANAGEMENT;
 5. WITH "▼" MUST BE CPK CONTROL.

TABLE:

PART NUMBER	A	B
Z016-4F7L1-11000-E000	4.80	1.50
Z02B-4F7L1-11000-E000	5.20	1.90
Z02D-4F7L1-11000-E000	7.50	4.20

A

B

C

D

A

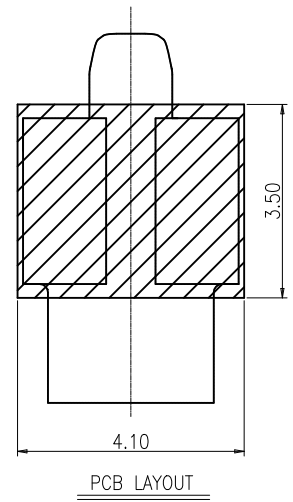
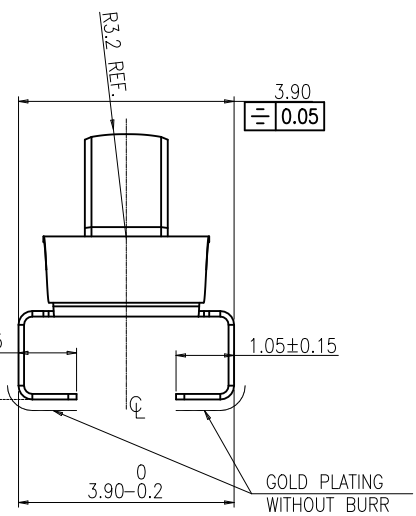
B

C

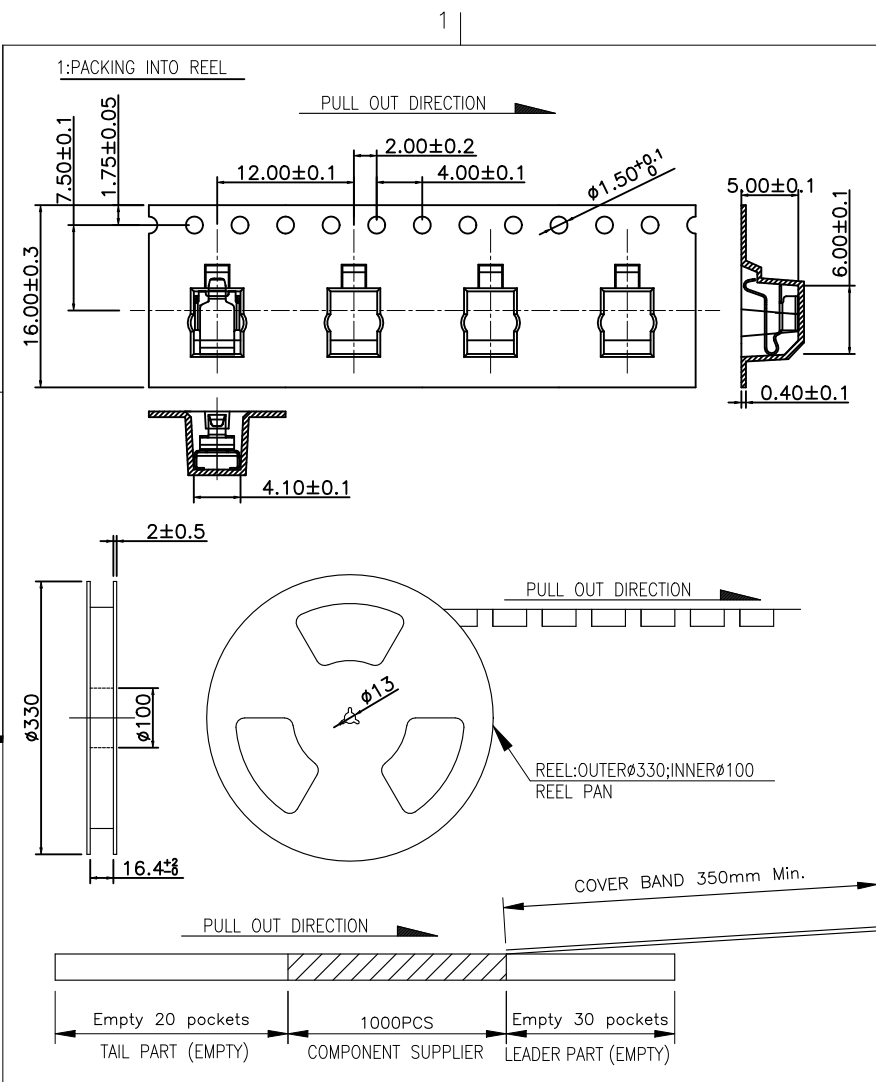
D



This document is the property of and embodies CONFIDENTIAL and PROPRIETARY information of AOR. No part of the information shown on this document may be used in any way or disclosed to others without the written consent of AOR. © 2019 AOR

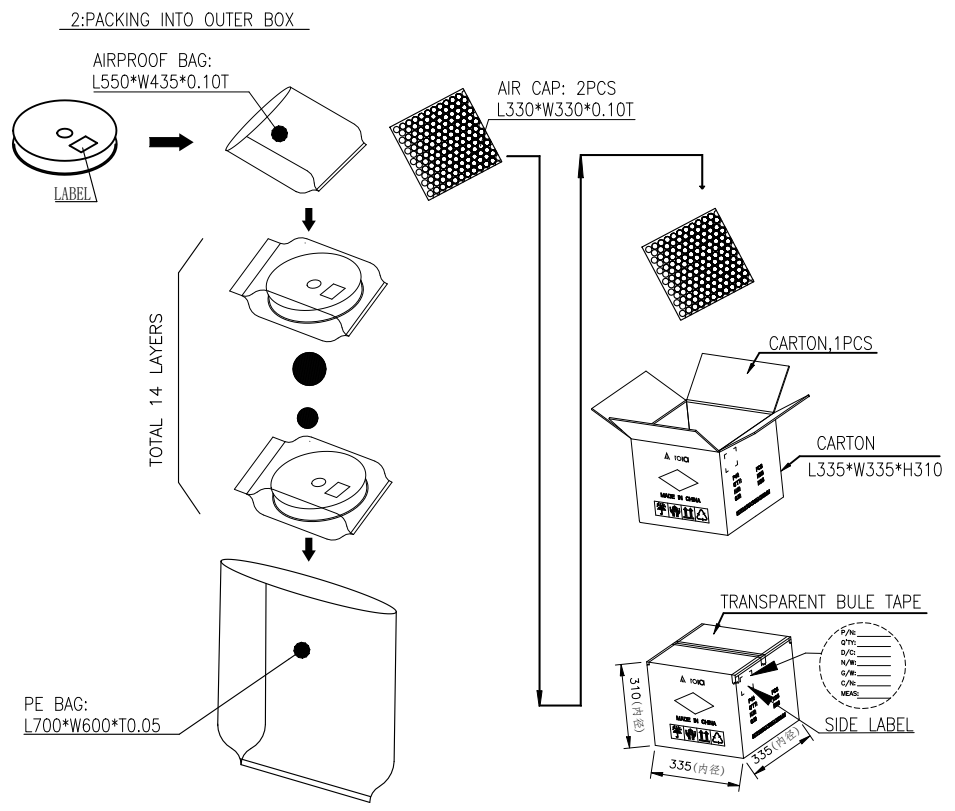


UNLESS OTHERWISE SPECIFIED TOLERANCES		ANGLE OF PROJECTION		 Amphenol Aorora Technology (Huizhou) Co.,Ltd			
X.	±0.30	X. *	± 5'				
X.X	±0.25	X.X *	± 4'	DOC TYP	Customer Drw		TITLE:
X.XX	±0.20	X.XX *	± 3'	DRAWN	Abner	H4.8/H5.2/7.5 SPRING T=0.1mm	
X.XXX	±0.15	X.XXX *	± 2'	DATE	2022-07-20	SIZE	A4
LINEAR DIMS		ANGLES DIMS		DESIGN	Abner	PART NUMBER:	Z0**-4F7L1-11000-E000
DWG NO.:	A-S0490			DATE	2022-07-20	REV.	D
MATERIAL	SEE NOTES			CHECKED	Staven	SCALE	1:1
FINISHED	SEE NOTES			DATE	2022-07-20	UNIT : mm	SHEET 1 OF 1
				APPROVED	Sam		
				DATE	2022-07-20		



- NOTES:
- MATERIAL:
 - CARRY TAPE:HIPS,T=0.50mm,COLOR:TRANSPARENT.
 - REEL:HIPS,BLUE.
 - SHIM:PE,CLEAR.
 - PRIMARY PACKING:1000PCS/REEL.
 - SECONDARY PACKING:14 REELS/CARTON
(14000=14*1000/CARTON).
 - PEELING RESISTANCE: 0.2N~1.2N(20~120gf);
PEELING ANGLE: 165°~180°;
PEELING SPEED: 300mm/minutes.

REV.	ECR/ECN No.	DESCRIPTION	DRAWN/DATE	CHECKED/DATE	APPROVED/DATE
A		NEW RELEASE	Staven 2018-12-26	Peng Li 2018-12-26	Judy 2018-12-26
B	ECN2022112	ADD PART NUMBER	Abner 2022-07-20	Staven 2022-07-20	Sam 2022-07-20



UNLESS OTHERWISE SPECIFIED TOLERANCES				ANGLE OF PROJECTION		Amphenol AORORA	
X.	±0.15	X. '	± 1'			Amphenol Aorora Technology (Huizhou) Co.,Ltd	
X.X	±0.16	X.X '	± 0.5'				
X.XX	±0.05	X.XX '	± 0.5'	DOC TYPE		TITLE:	
X.XXX	±0.03	X.XXX '	± 1'	PACKING DWG.		SPRING H4.8 T=0.1mm	
LINEAR DIMS		ANGLES DIMS		DRAWN	DATE	Abner	2022-07-20
DWG NO.:	A-H0276			DESIGN	DATE	Abner	2022-07-20
MATERIAL	SEE NOTES			CHECKED	DATE	Staven	2022-07-20
FINISHED	SEE NOTES			APPROVED	DATE	Sam	2022-07-20
SIZE	PART NUMBER:		REV.				
A4	Z016-4F7L1-11000-E000		B				
SCALE	1:1	UNIT : mm	SHEET 1 OF 1				