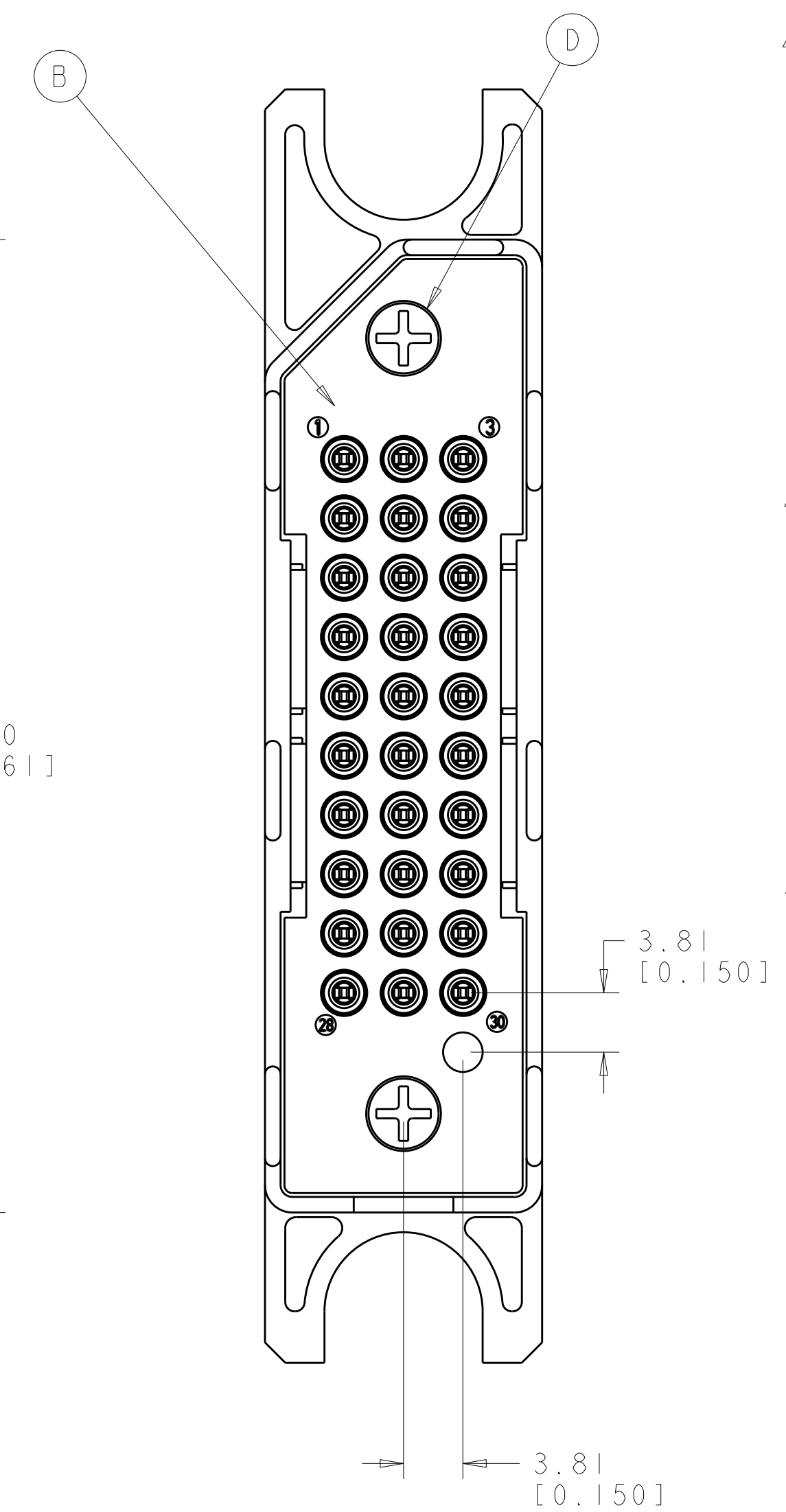
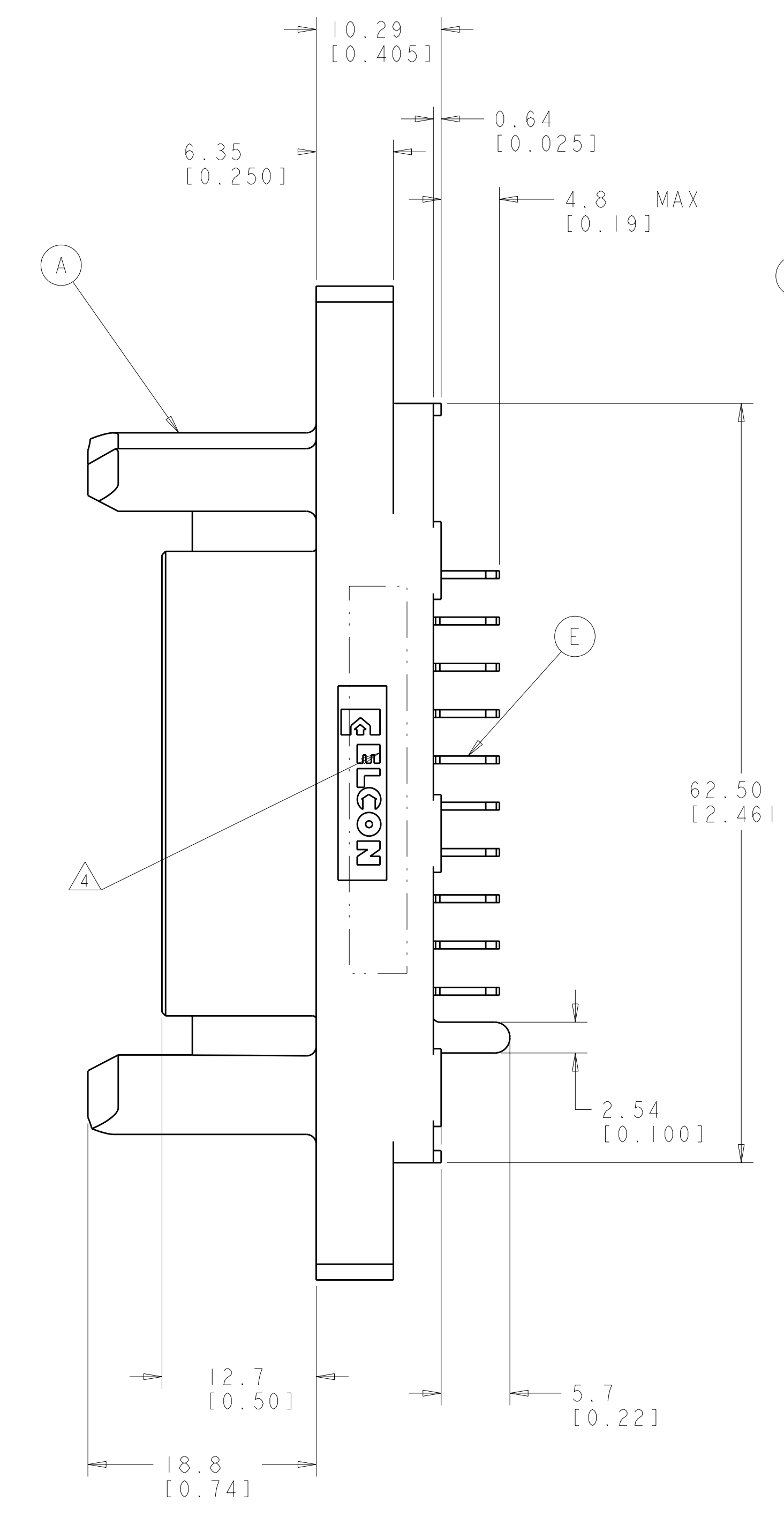
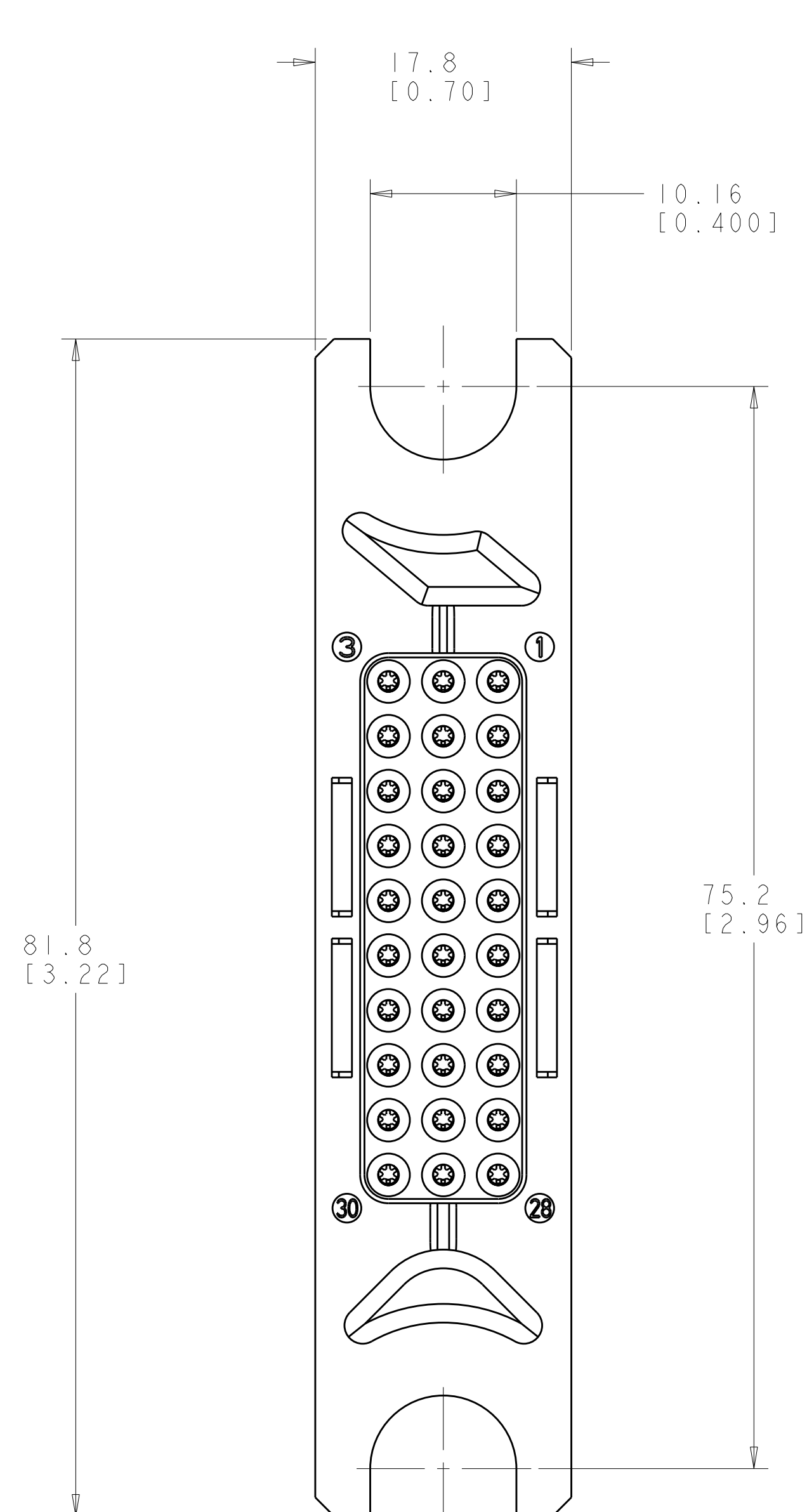


LOC	DIST	REVISIONS			
GP	00	REV	DATE	BY	APPD
		A	RELEASED	8NOV2011	RG DO



1. PART NUMBER CHANGES AND OR DESIGN CHANGES AFFECTING THE INTERCHANGEABILITY REQUIRE PRIOR TYCO APPROVAL AND AUTHORIZATION BY REVISION TO THIS DRAWING.

2. MATERIAL:
 INSULATOR: THERMOPLASTIC, GLASS REINFORCED, FLAMMABILITY RATED, COLOR: BLACK
 CONTACT: COPPER ALLOY
 COMPLIANT TAIL: COPPER ALLOY
 CROWN BANDS: BERYLLIUM COPPER
 RETENTION CLIPS: BERYLLIUM COPPER OR STAINLESS STEEL

3. FINISH:
 CONTACT: GOLD .000010 MIN THK. OVER NICKEL
 .000040 MIN THK.
 COMPLIANT: TIN .000040 MIN THK.
 CROWN BAND: GOLD .000030 MIN THK. OVER NICKEL .00040 MIN THK.

4. ITEMS PROVIDED TO THIS SPECIFICATION TO BE PERMANENTLY IDENTIFIED PER THE FOLLOWING IDENTIFIER:

TYCO PART NUMBER	DATE CODE (e.g. 0216)
XXXXXXX-X	YEAR WEEK XXXX

5. COMPLIANT TAIL CONTACTS ARE INSERTABLE/ NON-REMOVABLE (ITEM E).

6. THIS CONNECTOR MATES WITH PIN CONNECTOR PN 1648742-1.

7. MOUNTING HARDWARE: SHOULDER SCREW REF. TYCO 1650597-1 TO BE ORDERED SEPARATELY. SHOWN FOR REFERENCE ONLY.

ITEM NO.	PART NUMBER	DESCRIPTION	ITEM NO.
30	6648301-1	SA CONTACT, SOCKET, #20, COMPLIANT	E
2	1766841-1	SCREW, SELF TAPPING, Ø2.5X10.00mm LG.	D
30	1650484-1	RETENTION CLIP, #20	C
1	1648753-1	HOUSING, SOCKET, REAR INSERT	B
1	1648752-1	HOUSING, SOCKET, FRONT	A

ELCON MINI DRAWER

THIS DRAWING IS A CONTROLLED DOCUMENT.		DWN R. GRZYBOWSKI 8NOV2011	TE Connectivity CONNECTOR, SOCKET, COMPLIANT TAIL 30 POSN. MINI DRAWER
DIMENSIONS: mm [INCHES]		CHK D. ORRIS 8NOV2011	
TOLERANCES UNLESS OTHERWISE SPECIFIED:		APVD D. ORRIS 8NOV2011	NAME
9 PLC	±	PRODUCT SPEC	SIZE
1 PLC	±.5 (1.02)	APPLICATION SPEC	CAGE CODE
2 PLC	±.25 (1.010)	WEIGHT	DRAWING NO.
3 PLC	±	CUSTOMER DRAWING	RESTRICTED TO
4 PLC	±	SCALE	SHEET
ANGLES	±	3:1	1 OF 2
FINISH	#2	REV	A

