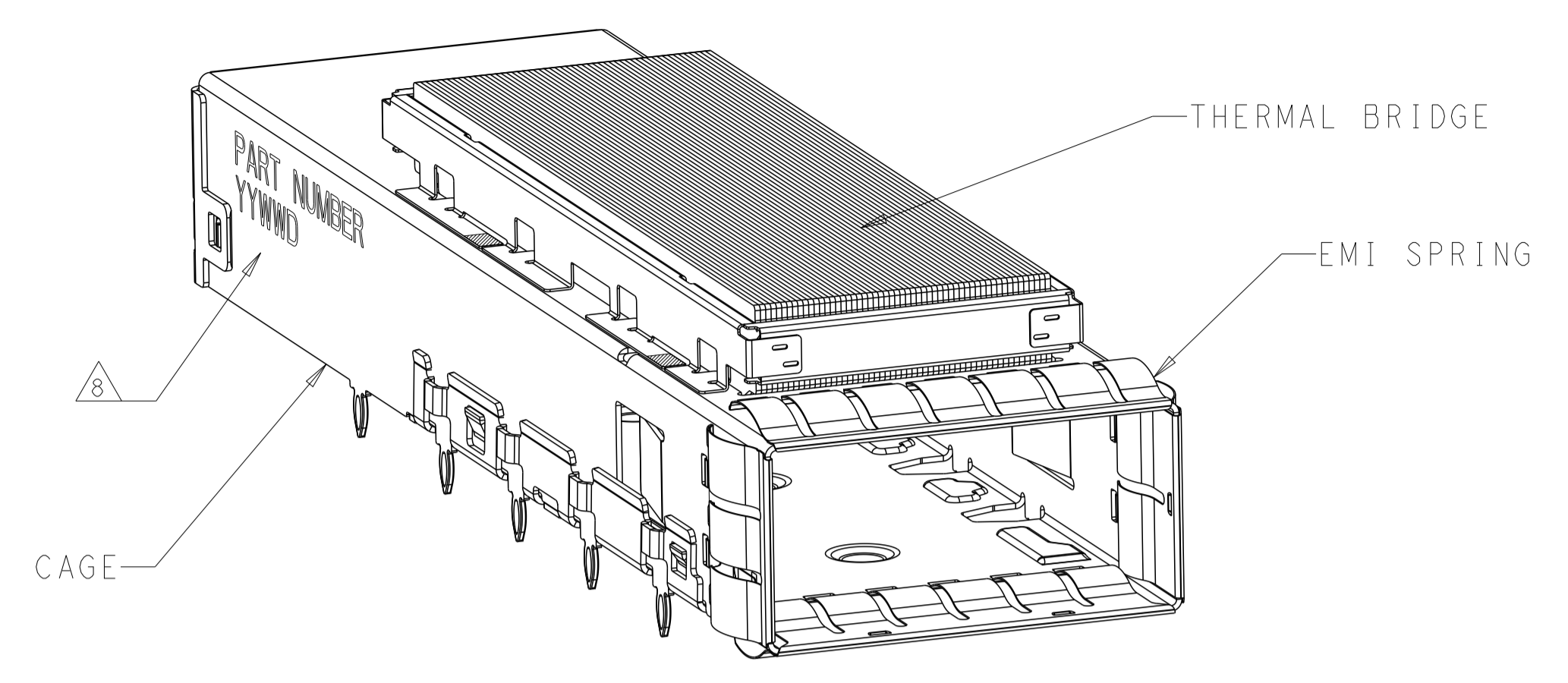
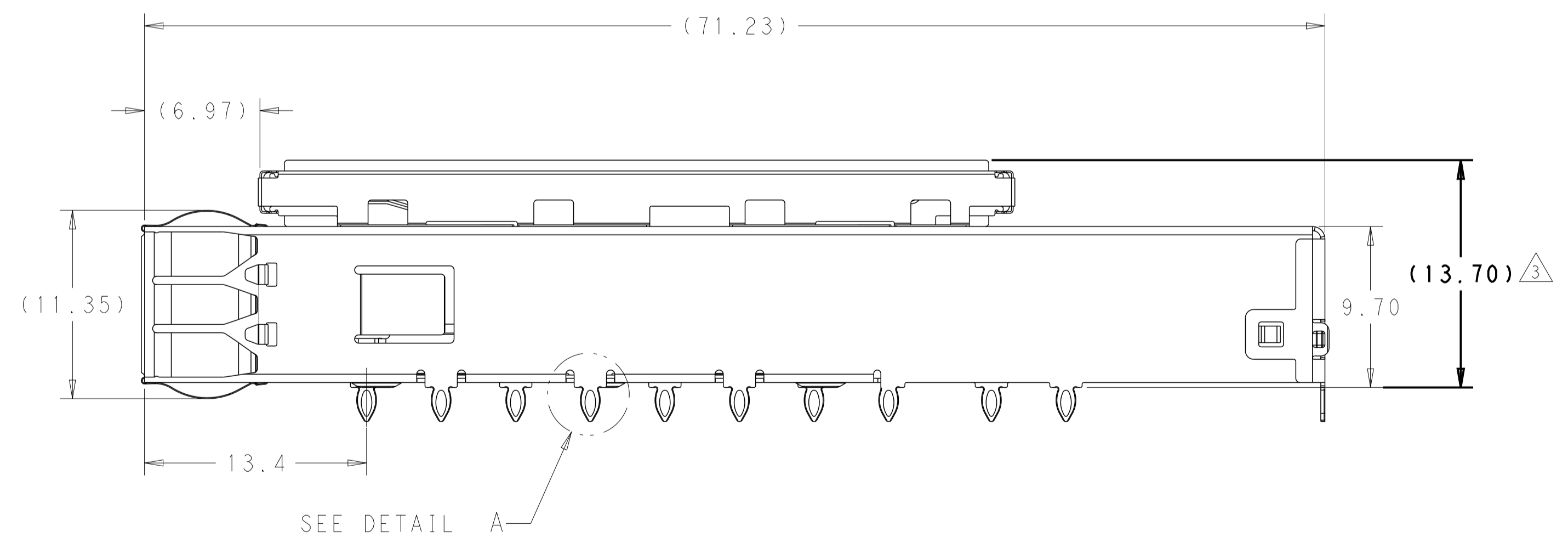
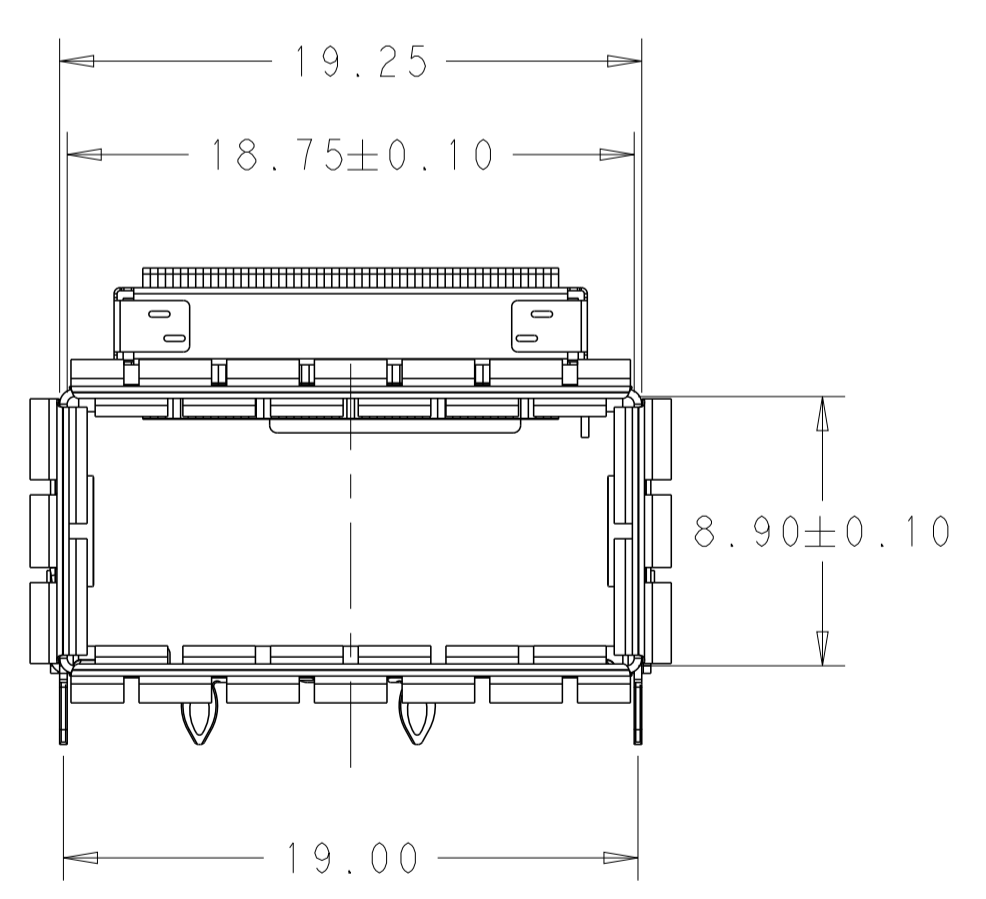
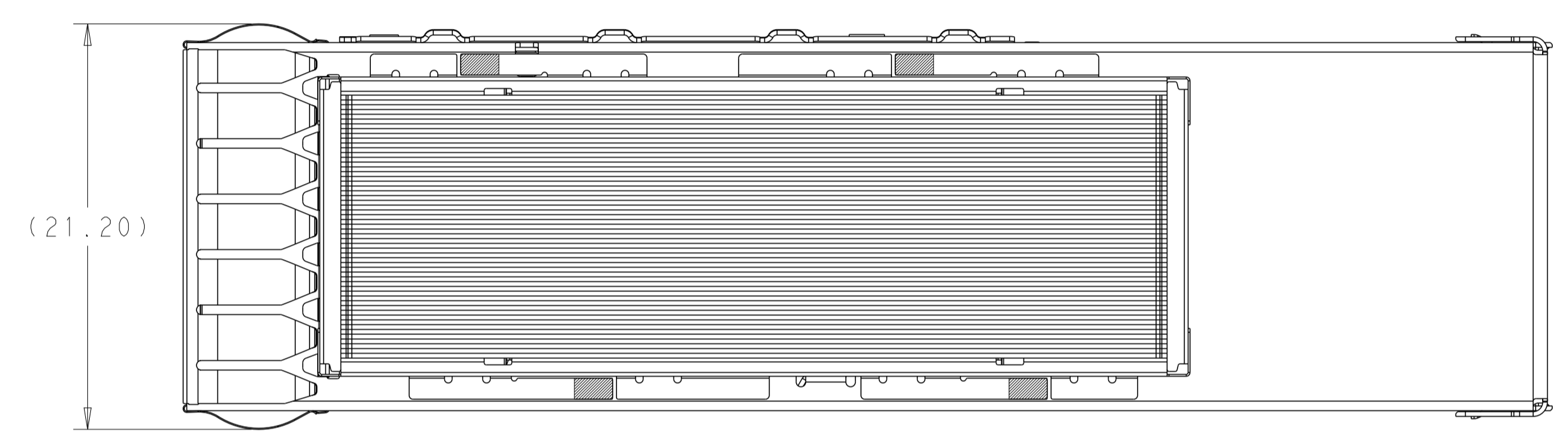


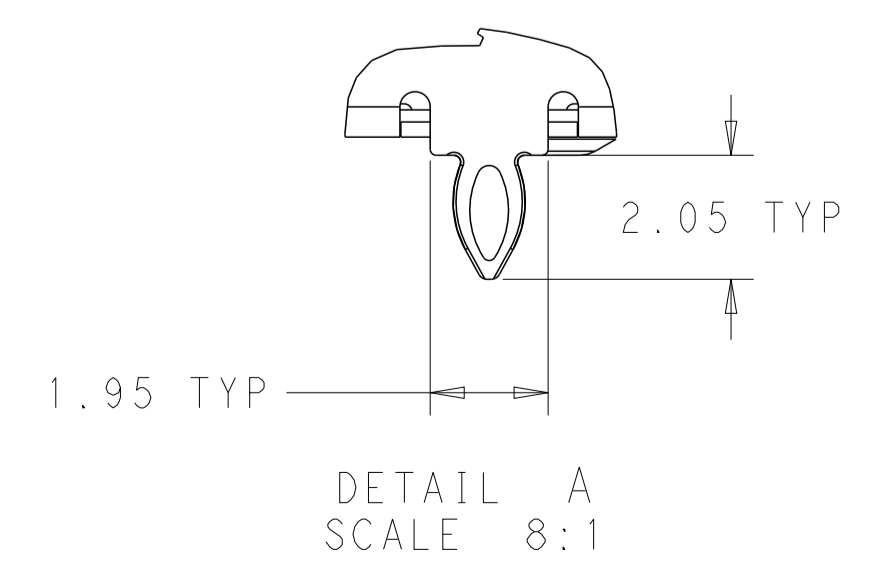
LOC	DIST	REVISIONS			
		REV	DATE	BY	CHK
		A	04JUN2020	VL	SH
		A1	30JUN2020	VL	SH
		A2	28JUN2021	SH	SZ
		A3	14OCT2022	SH	SZ



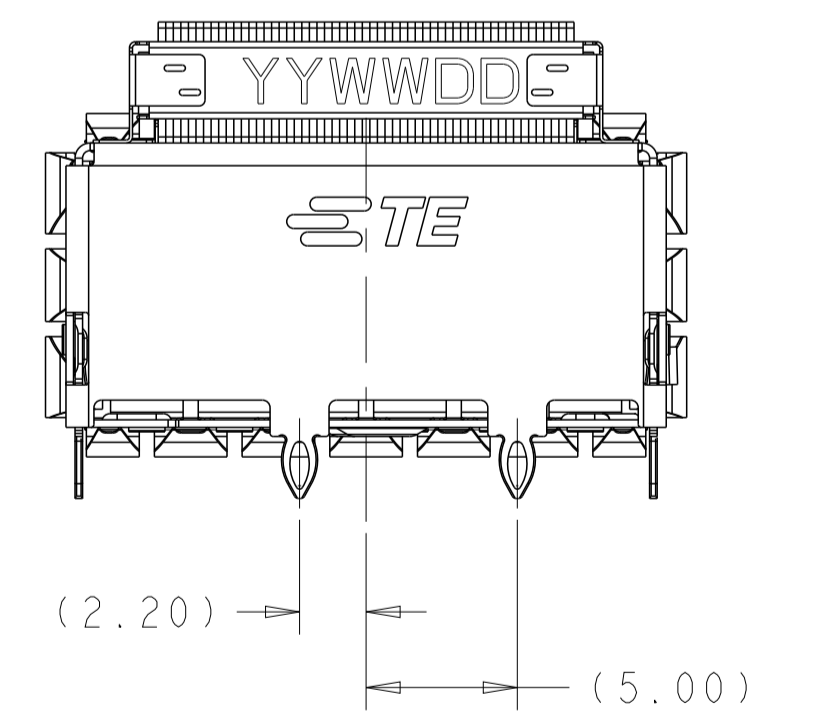
2354751-1 AS SHOWN
SCALE 4:1



2354751-1
SCALE 4:1



- MATERIAL:
CAGE MATERIAL : 0.25 THICK STAINLESS STEEL.
SPRING MATERIAL: COPPER ALLOY
THERMAL BRIDGE: COPPER ALLOY
- FINISH:
SPRING: NICKEL PLATING
CONNECTOR EMI SPRING: TIN PLATING
THERMAL BRIDGE: ELECTROLESS NICKEL
- DIMENSION APPLIES PRIOR TO MODULE INSTALLED IN THE CAGE TO TOP OF THERMAL BRIDGE.
- REFERENCE APPLICATION SPEC 114-60025 FOR RECOMMENDED DRILL HOLE DIAMETER AND PLATING THICKNESS.
- DATUM AND BASIC DIMENSIONS ESTABLISHED BY CUSTOMERS.
- MINIMUM PC BOARD THICKNESS : SINGLES SIDED: 1.57 MIN
DOUBLE SIDED: 3.00 MIN
- DATUM **-A-** IS TOP SURFACE OF THE HOST BOARD.
- DATE CODE (YYWWD) MARKED APPROXIMATELY AS SHOWN
- MATES WITH QSFP DD MSA COMPATIBLE TRANSCEIVER.
- RECOMMENDED STANDOFF HEIGHT FOR COLD PLATE:
OPTION 1: 13.50 +/-0.20 MM WITH THERMAL GREASE, THERMAL GREASE THICKNESS: 0.10+/-0.05MM.
OPTION 2: 13.40+/-0.20 MM WITHOUT THERMAL GREASE.



STANDARD	0	2354751-4
STANDARD	1	2354751-3
STANDARD	2	2354751-1
REMARK	# REAR PINS	PART NUMBER

THIS DRAWING IS A CONTROLLED DOCUMENT.

OWN: LEO LI 19APR2019
CHK: SEAN HAN 19APR2019
APPD: SEAN HAN 19APR2019

STE TE Connectivity

NAME: CAGE ASSEMBLY, QSFP-DD 1X1, WITH EMI SPRING FINGER

PRODUCT SPEC: 108-60122/108-130042
APPLICATION SPEC: 114-130017

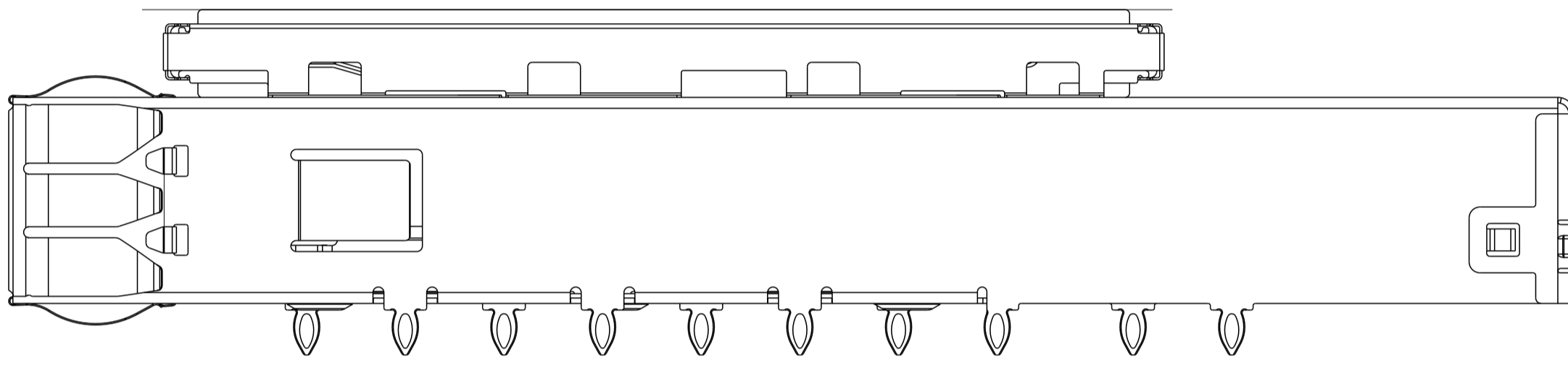
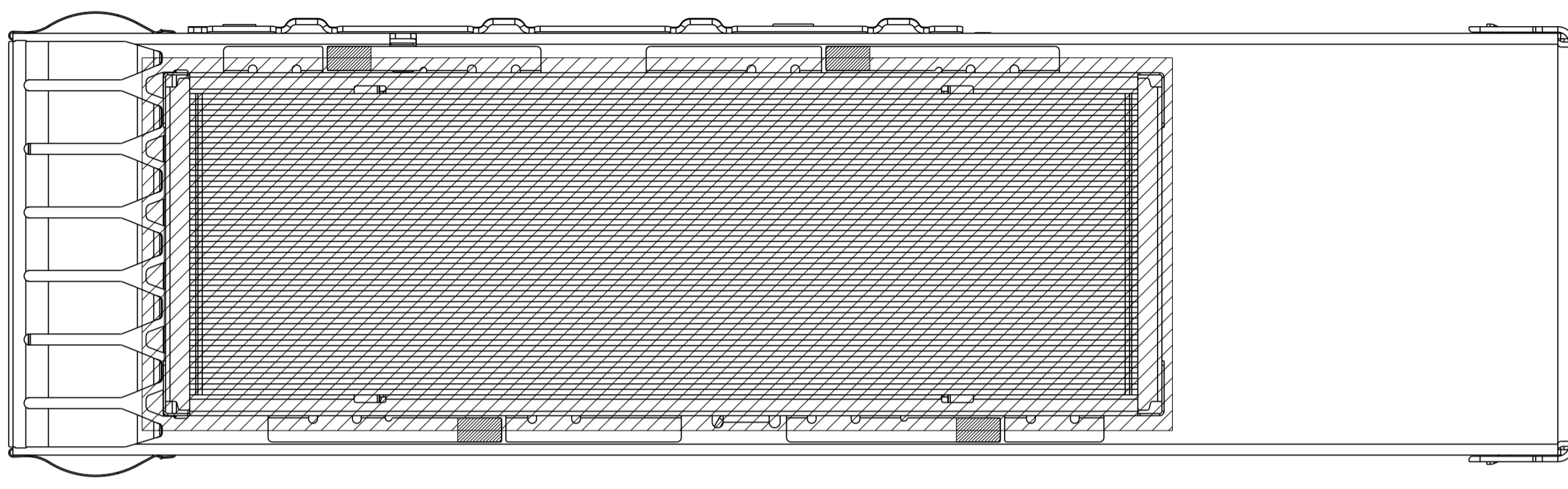
SIZE: A1
CAGE CODE: -
DRAWING NO: C=2354751

MATERIAL: -
FINISH: -
WEIGHT: -
CUSTOMER DRAWING

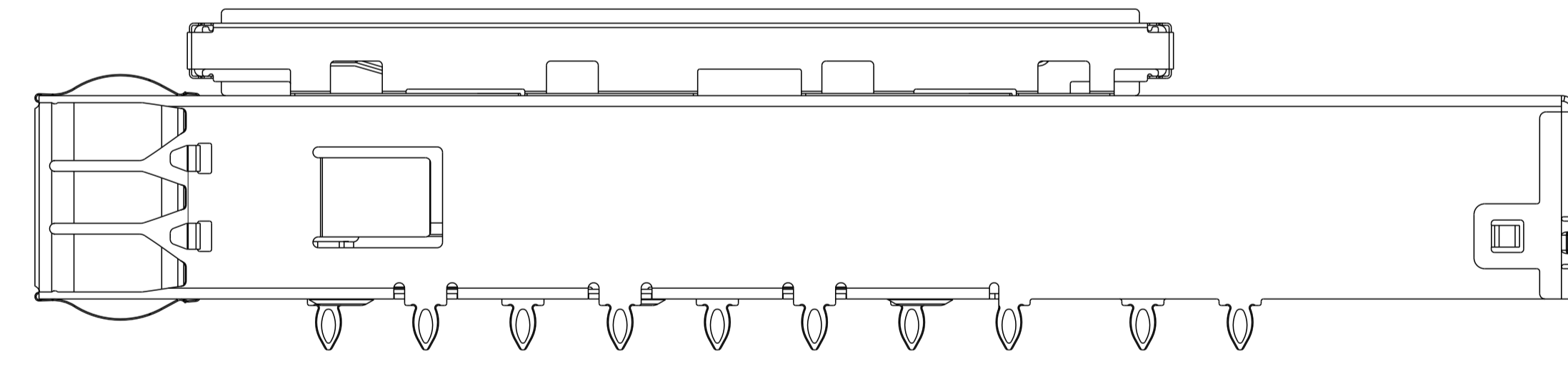
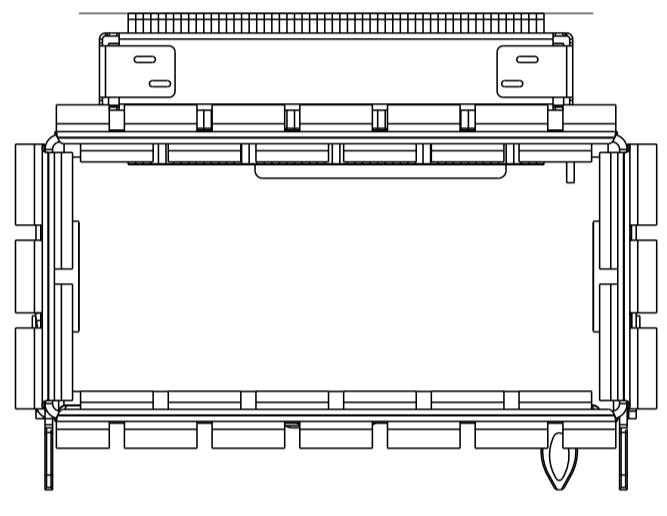
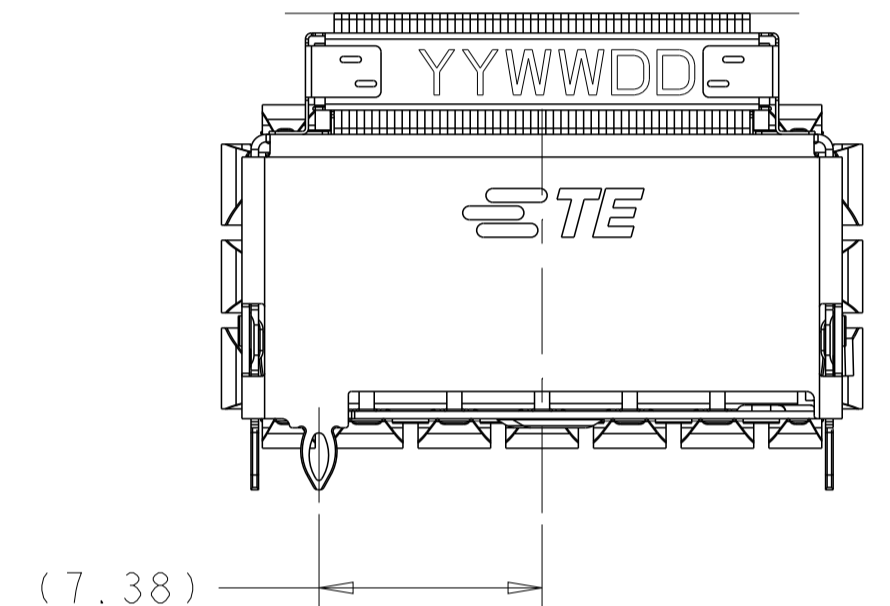
SCALE: 2:1
SHEET: 1 OF 7
REV: A3

THIS DRAWING IS UNPUBLISHED. RELEASED FOR PUBLICATION. ALL RIGHTS RESERVED.

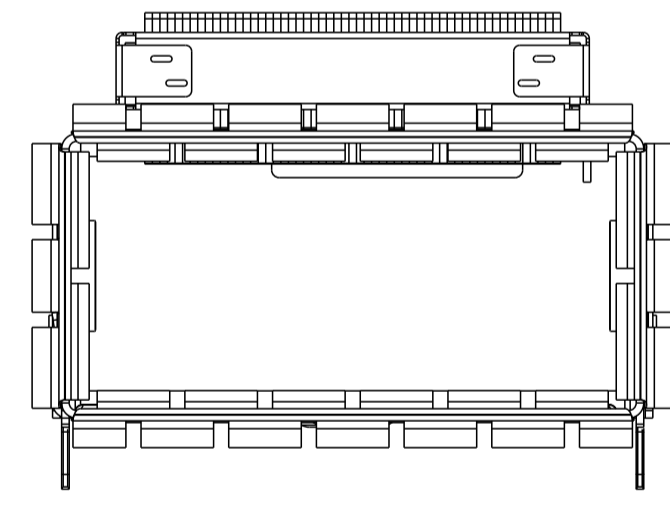
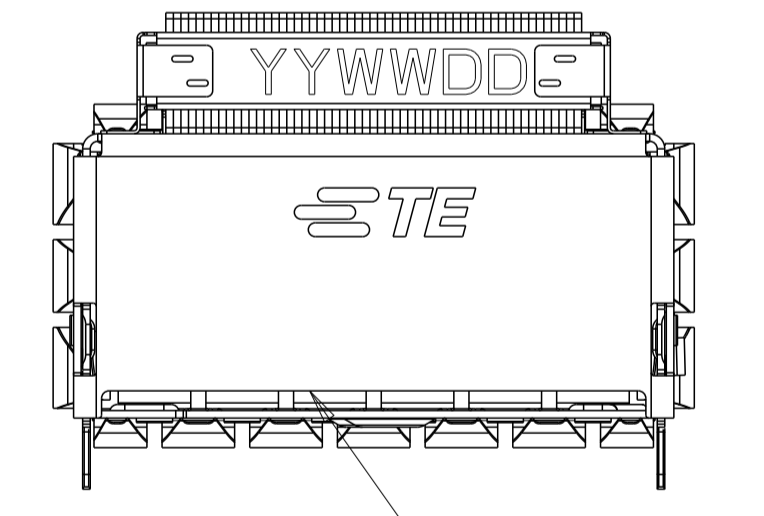
LOC		DIST		REVISIONS			
P	LTN	DESCRIPTION	DATE	DMN	APVD		
-	-	SEE SHEET 1	-	-	-		



2354751-3 AS SHOWN
UNSPECIFIED DIMENSIONS SAME AS -1
SCALE 4:1

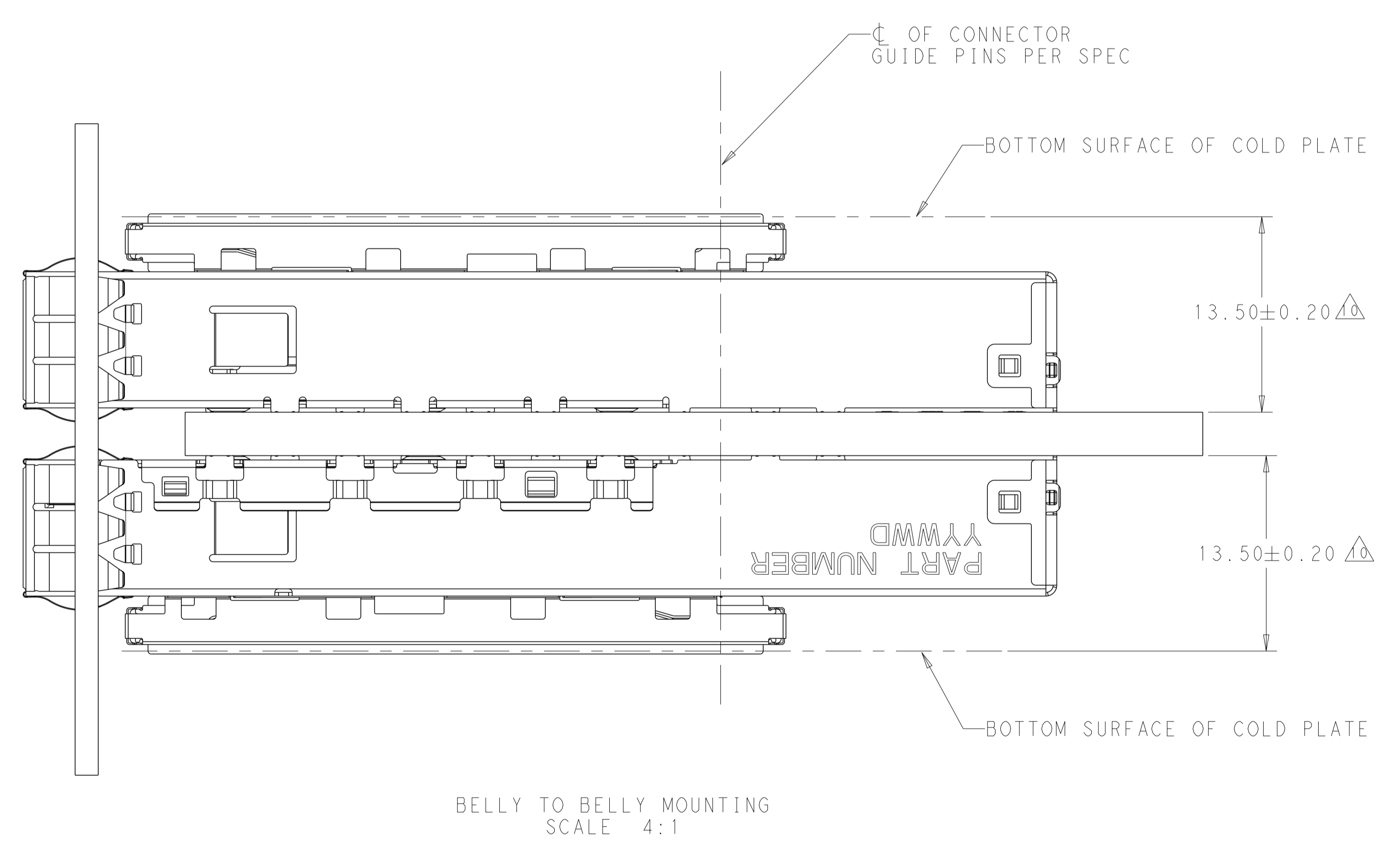
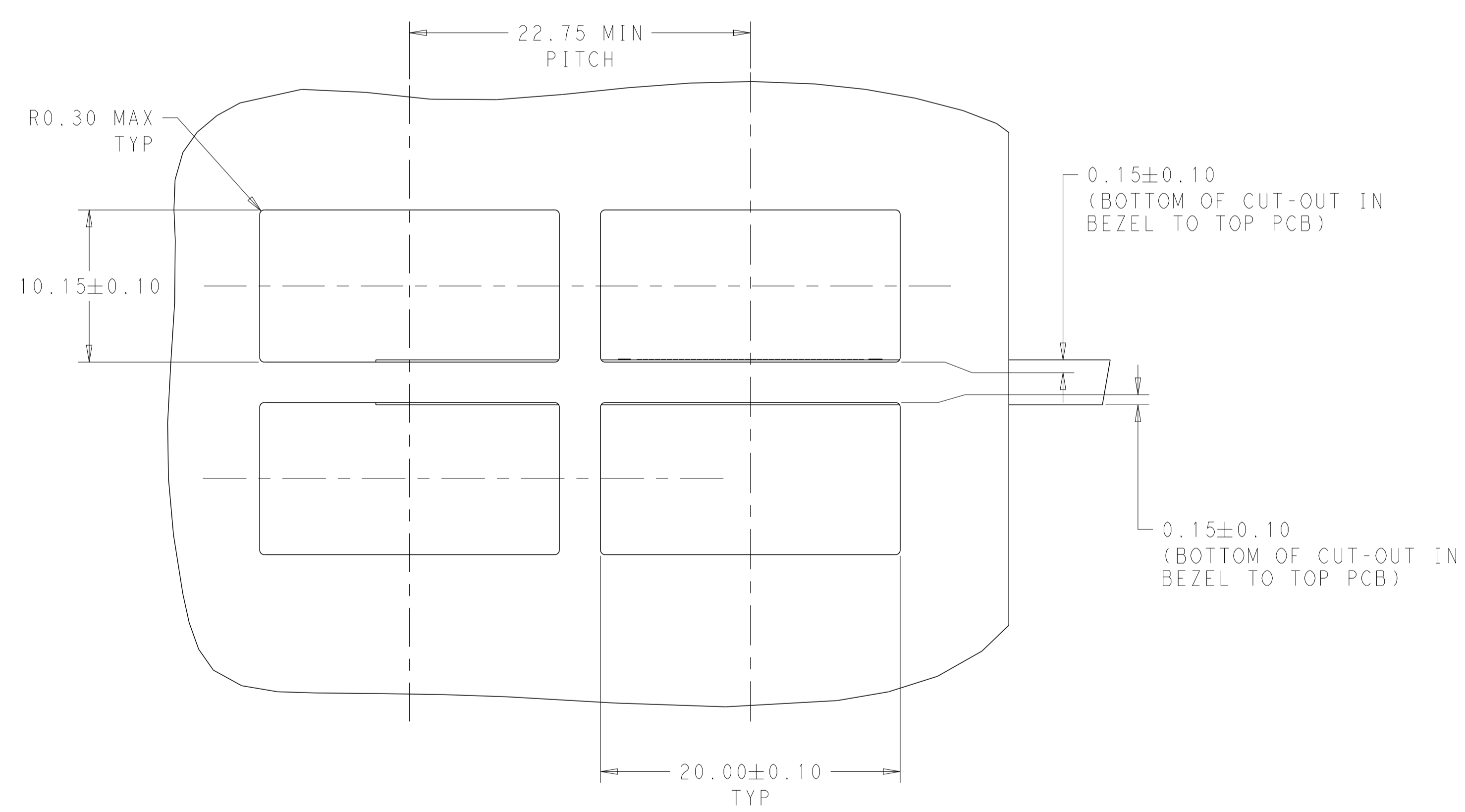
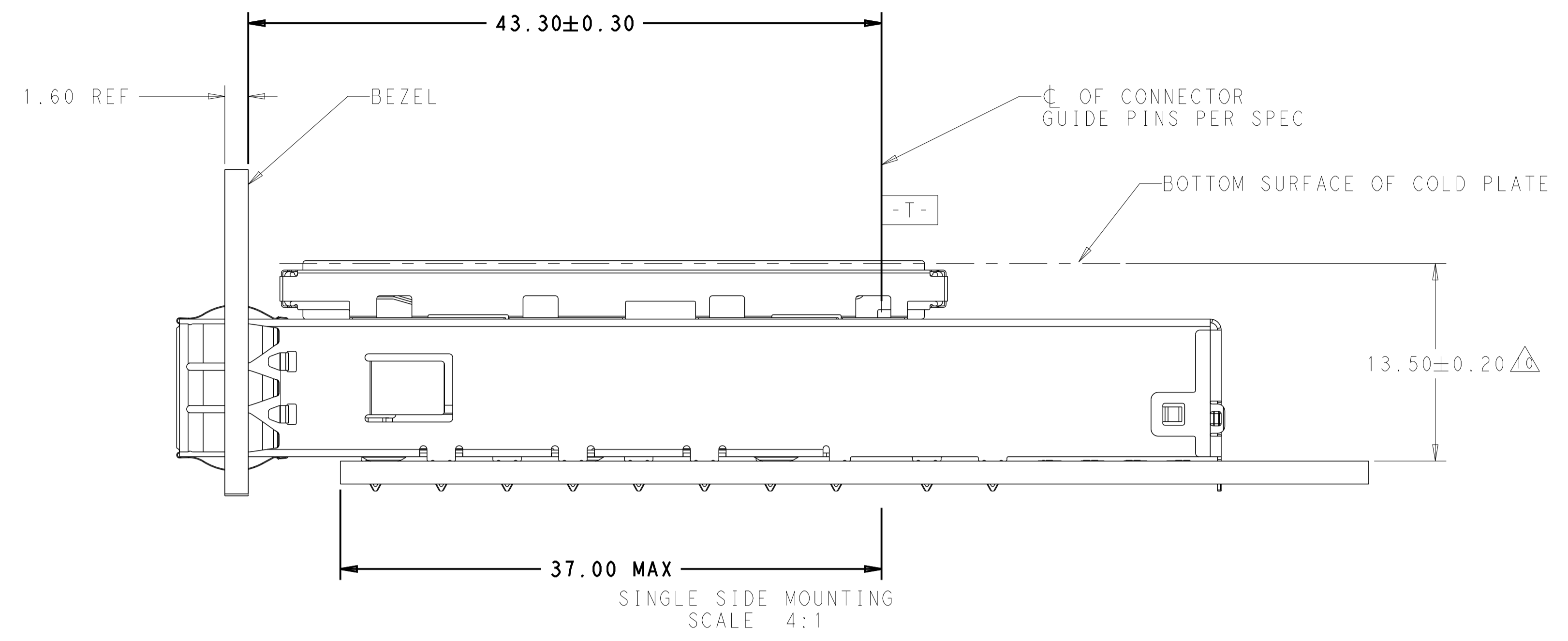
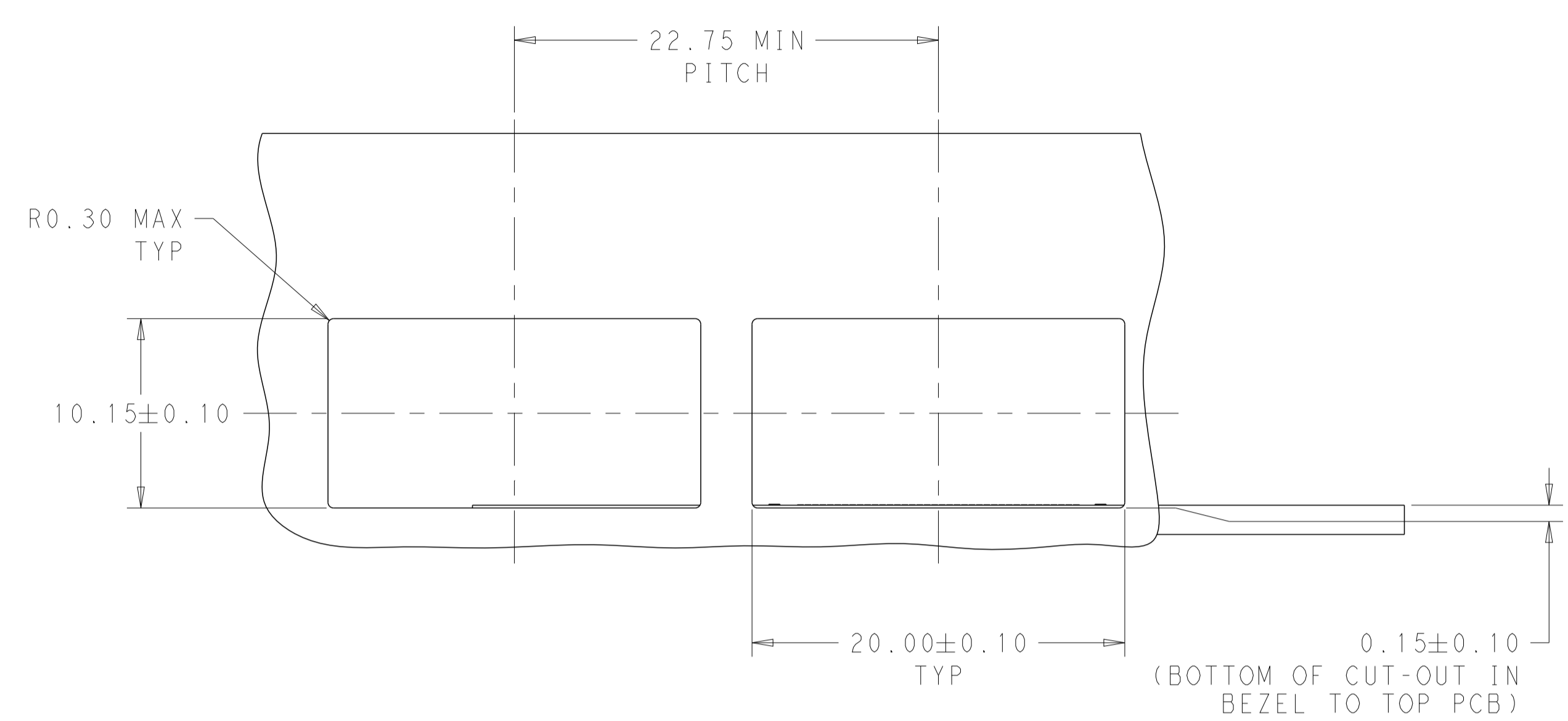


2354751-4 AS SHOWN
UNSPECIFIED DIMENSIONS SAME AS -1
SCALE 4:1



THIS DRAWING IS A CONTROLLED DOCUMENT.		OWN: LEO LI 19APR2019	TE Connectivity
DIMENSIONS: mm		CHK: SEAN HAN 19APR2019	
TOLERANCES UNLESS OTHERWISE SPECIFIED:		APVD: SEAN HAN 19APR2019	NAME: CAGE ASSEMBLY, QSPF-DD 1X1, WITH EMI SPRING FINGER PRODUCT SPEC: 108-60122/108-130042 APPLICATION SPEC: 114-130017
0 PLC ±0.25 1 PLC ±0.25 2 PLC ±0.25 3 PLC ±0.10 4 PLC ± ANGLES ±° FINISH ±		SIZE: A1 CAGE CODE: - DRAWING NO: ©=2354751 WEIGHT: - CUSTOMER DRAWING	
MATERIAL: -		RESTRICTED TO: -	SCALE: 2:1 SHEET: 2 OF 7 REV: A3

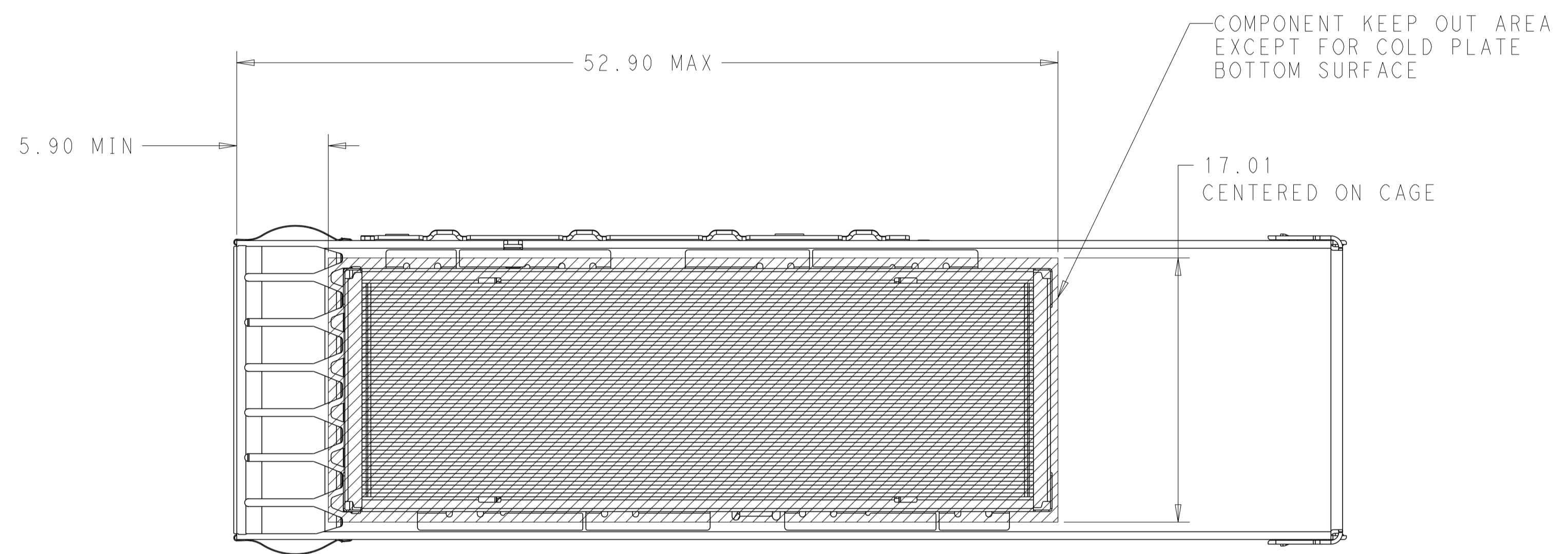
LOC		DIST		REVISIONS			
				DESCRIPTION	DATE	OWN	APVD
-	-	-	-	SEE SHEET 1	-	-	-



THIS DRAWING IS A CONTROLLED DOCUMENT.		OWN: LEO LI 19APR2019	TE Connectivity	
DIMENSIONS:		CHK: SEAN HAN 19APR2019		
mm	TOLERANCES UNLESS OTHERWISE SPECIFIED:	APVD: SEAN HAN 19APR2019	NAME: CAGE ASSEMBLY, QSFP-DD 1X1, WITH EMI SPRING FINGER	
0 PLC ±0.25	1 PLC ±0.25	PRODUCT SPEC: 108-60122/108-130042	APPLICATION SPEC: 114-130017	
2 PLC ±0.20	3 PLC ±0.10	SIZE: A1	CAGE CODE: -	DRAWING NO: C=2354751
4 PLC ±	ANGLES ±	WEIGHT: -	SCALE: 2:1	SHEET 3 OF 7
MATERIAL: -	FINISH: -	CUSTOMER DRAWING	REV: A3	

THIS DRAWING IS UNPUBLISHED. RELEASED FOR PUBLICATION
 © COPYRIGHT - ALL RIGHTS RESERVED.

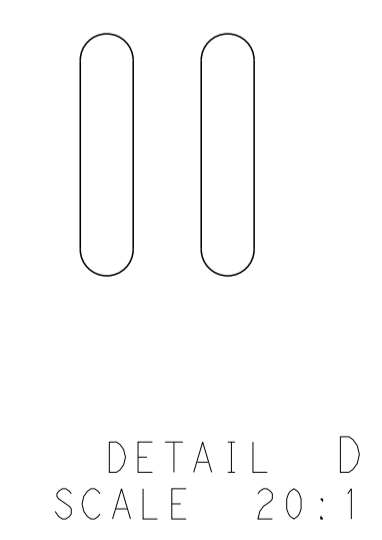
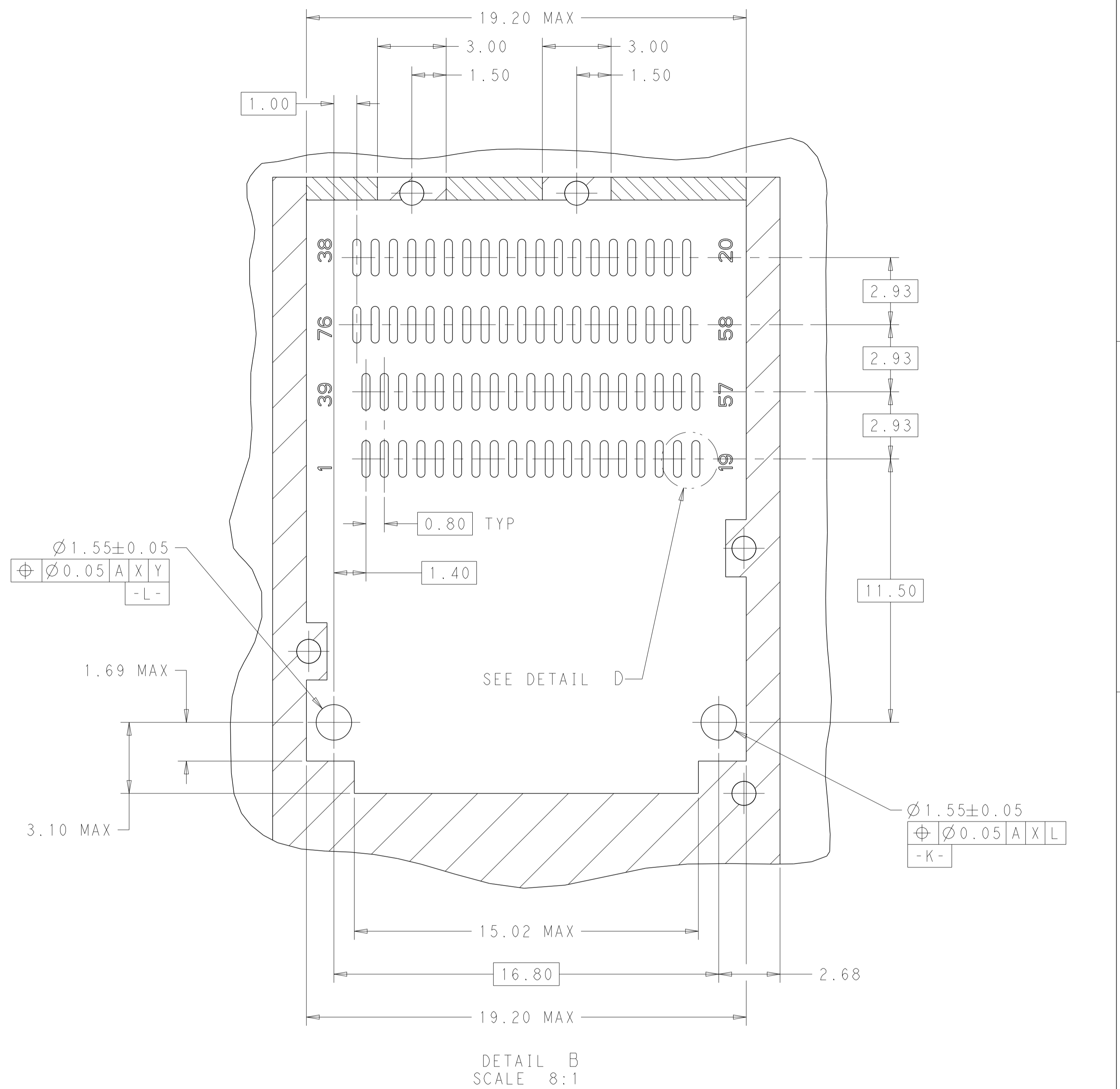
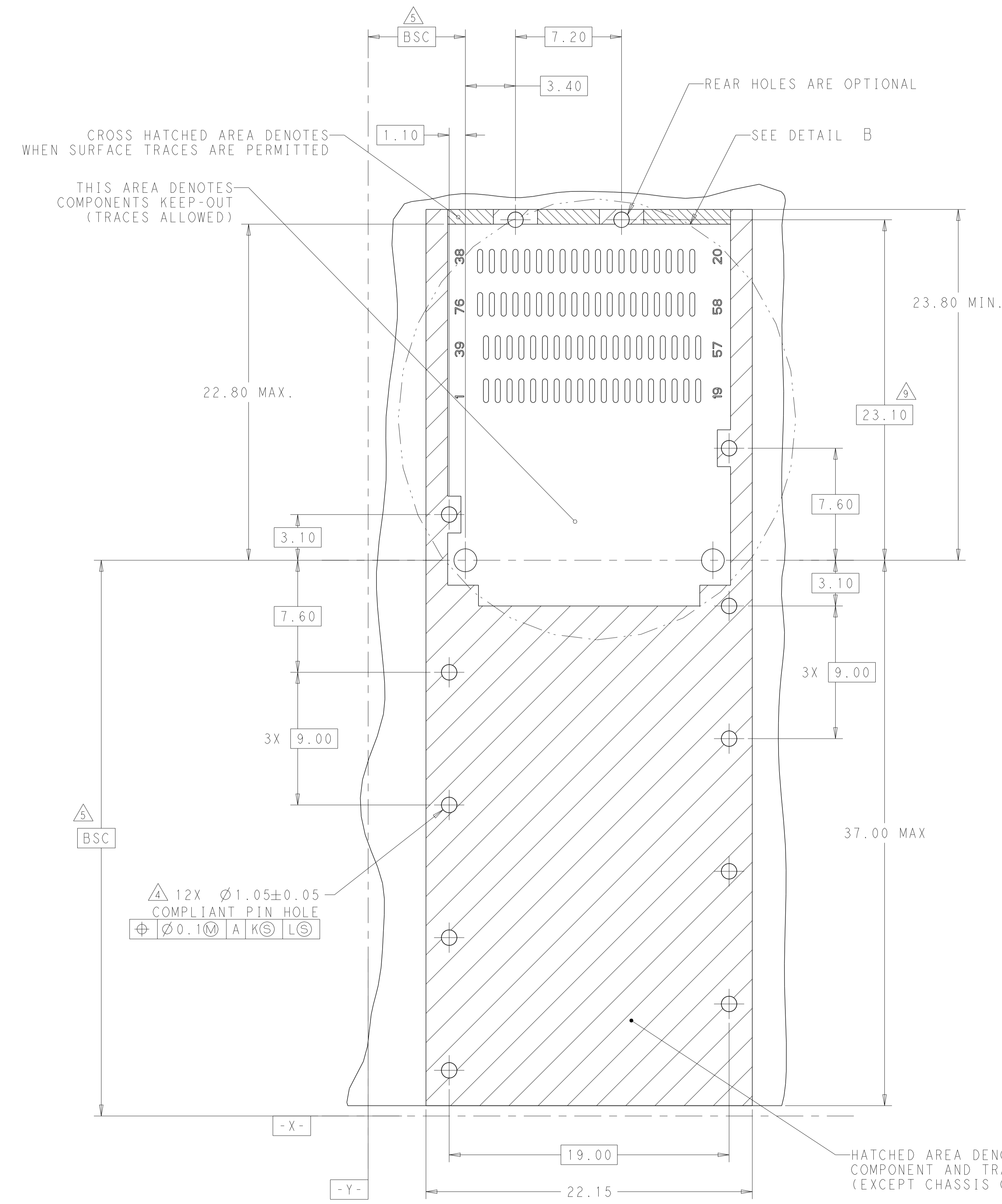
LOC		DIST		REVISIONS			
P	LTN	DESCRIPTION	DATE	DWN	APVD		
-	-	SEE SHEET 1	-	-	-		



COMPONENT KEEP OUT AREA FOR THERMAL BRIDGE

THIS DRAWING IS A CONTROLLED DOCUMENT.		DWN: LEO LI 19APR2019	
DIMENSIONS: mm		CHK: SEAN HAN 19APR2019	
TOLERANCES UNLESS OTHERWISE SPECIFIED:		APVD: SEAN HAN 19APR2019	NAME: CAGE ASSEMBLY, QSFP-DD 1X1, WITH EMI SPRING FINGER
0 PLC ±0.25	1 PLC ±0.25	PRODUCT SPEC: 108-60122/108-130042	RESTRICTED TO: -
2 PLC ±0.20	3 PLC ±0.10	APPLICATION SPEC: 114-130017	SCALE: 2:1
4 PLC ±	ANGLES ±	WEIGHT: -	SHEET 4 OF 7
MATERIAL: -		FINISH: -	REV: A3
CUSTOMER DRAWING		SIZE: A1	SCALE: 2:1

LOC	DIST	REV	DATE	BY	APPV
-	-	1	-	-	-
REVISIONS			DESCRIPTION	DATE	DWN
-			SEE SHEET 1	-	-



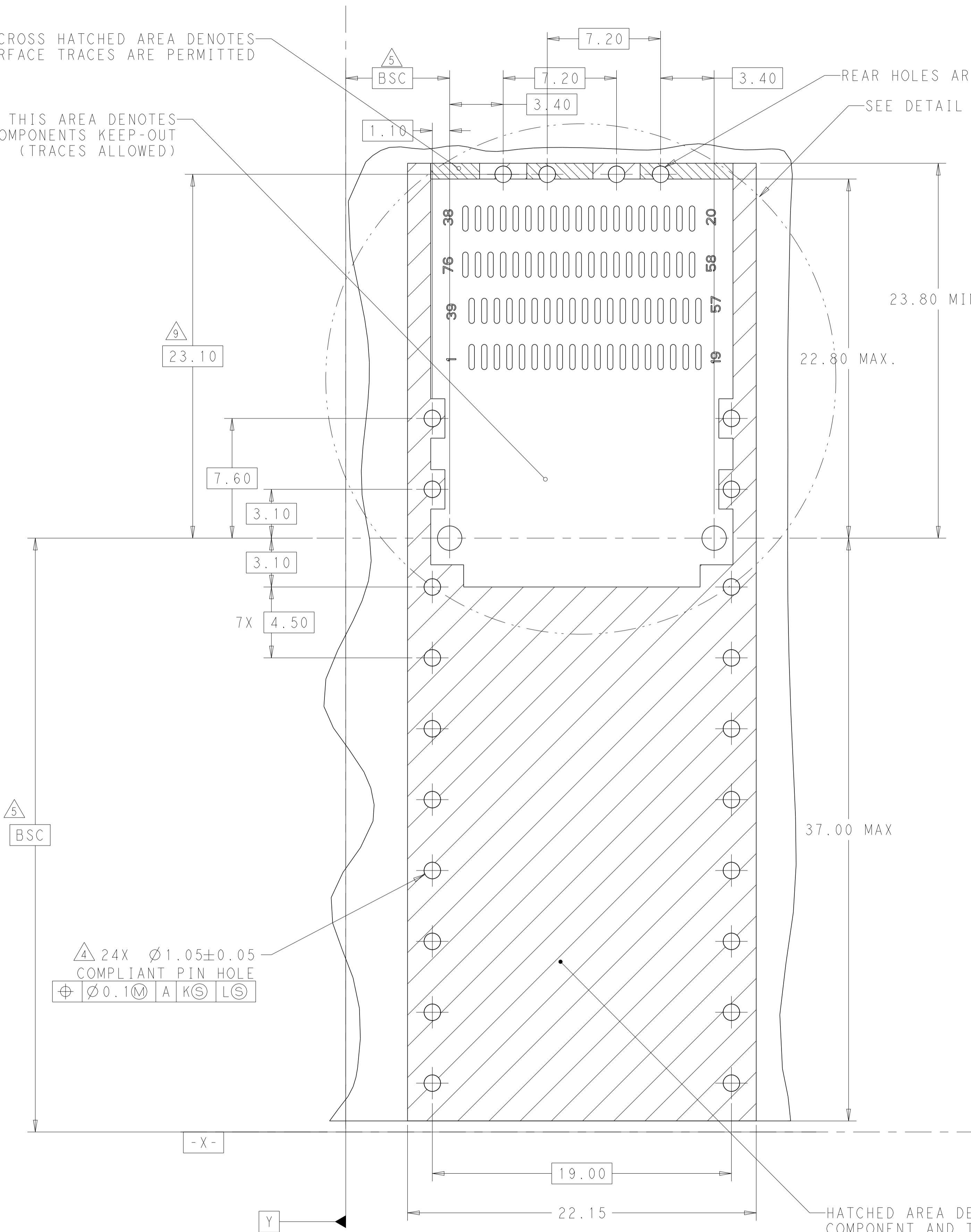
THIS DRAWING IS A CONTROLLED DOCUMENT.		DWN	LEO LI	19APR2019
DIMENSIONS:		CHK	SEAN HAN	19APR2019
mm	TOLERANCES UNLESS OTHERWISE SPECIFIED:	APPV	SEAN HAN	19APR2019
	0 PLC ± 0.25	NAME	CAGE ASSEMBLY, QSPF-DD	
	1 PLC ± 0.25	PRODUCT SPEC	1X1, WITH EMI SPRING FINGER	
	2 PLC ± 0.20	APPLICATION SPEC	108-60122/108-130042	
	3 PLC ± 0.10	SIZE	114-130017	RESTRICTED TO
	4 PLC ± 0.05	WEIGHT	A1	-
	ANGLES ± 0.10	CAGE CODE	C=2354751	SCALE 2:1 SHEET 5 OF 7 REV A3
	FINISH	CUSTOMER DRAWING		

LOC		DIST		REVISIONS			
P	LTH	DESCRIPTION	DATE	OWN	APVD		
-	-	SEE SHEET 1	-	-	-		

CROSS HATCHED AREA DENOTES WHEN SURFACE TRACES ARE PERMITTED

THIS AREA DENOTES COMPONENTS KEEP-OUT (TRACES ALLOWED)

REAR HOLES ARE OPTIONAL SEE DETAIL C



$\varnothing 1.55 \pm 0.05$
 $\varnothing 0.05$ A X Y
 -L-

$\varnothing 1.55 \pm 0.05$
 $\varnothing 0.05$ A X L
 -K-

DETAIL C
SCALE 8:1

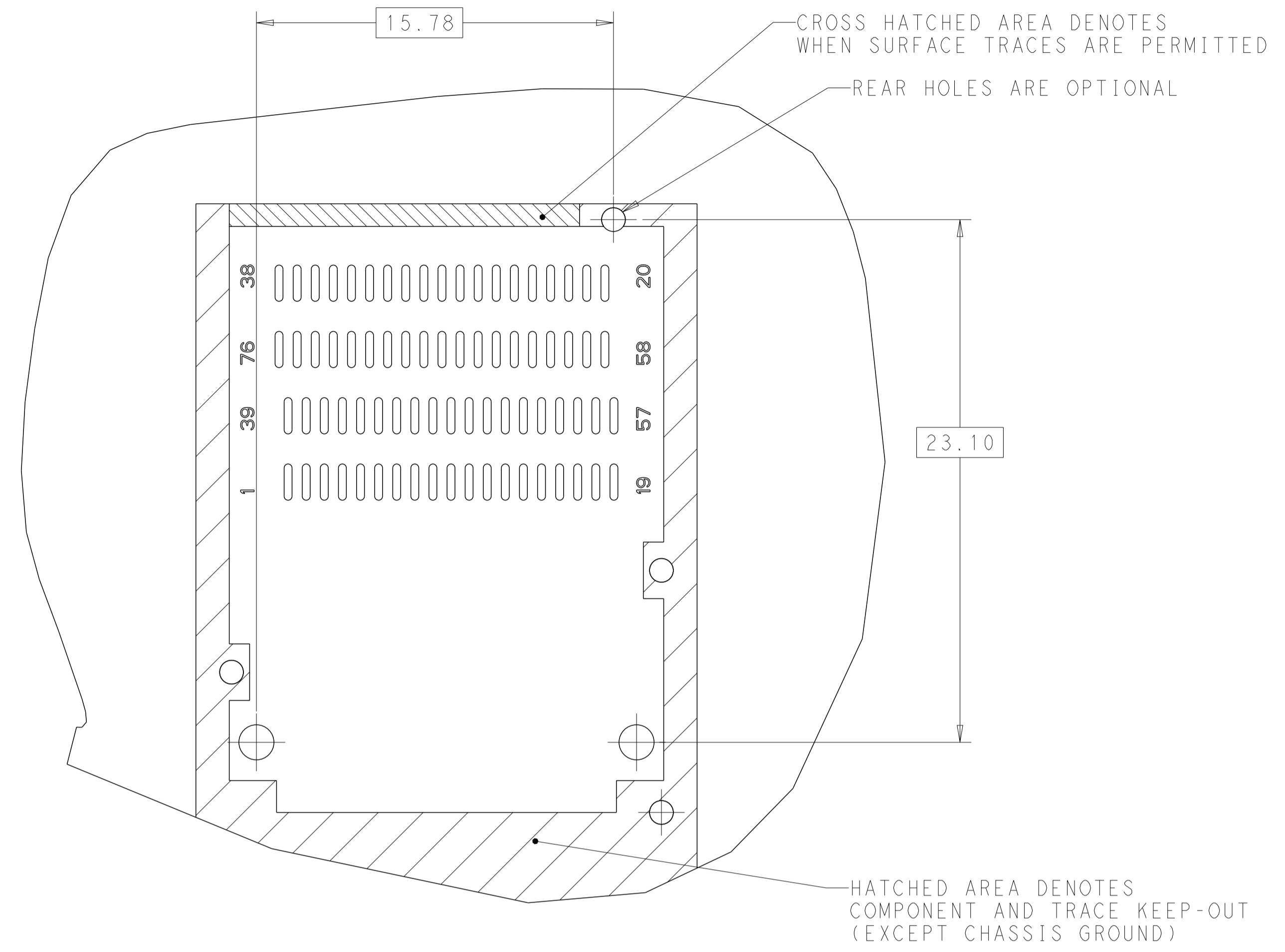
24X $\varnothing 1.05 \pm 0.05$
COMPLIANT PIN HOLE
 $\varnothing 0.1$ M A K S L S

HATCHED AREA DENOTES COMPONENT AND TRACE KEEP-OUT (EXCEPT CHASSIS GROUND)

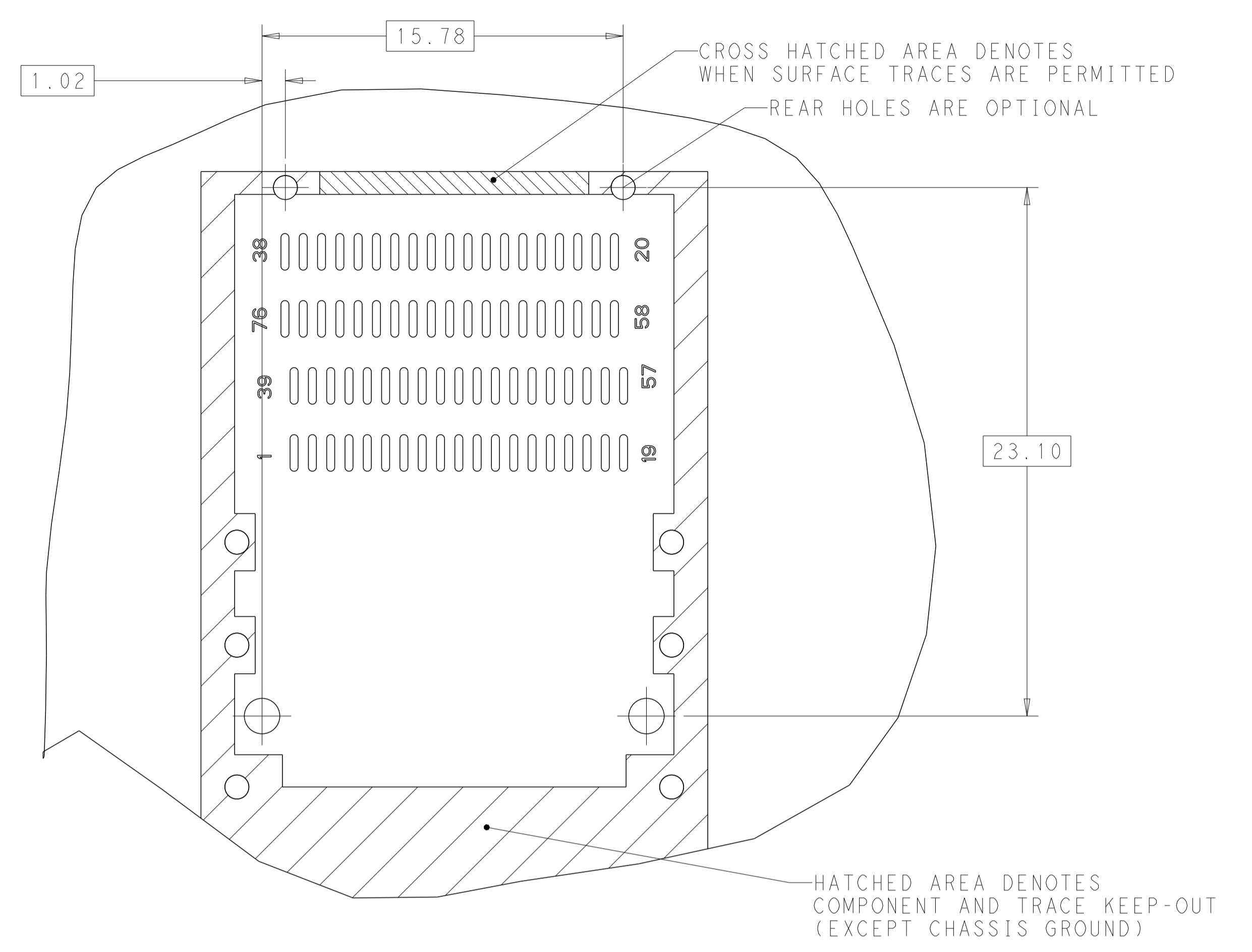
RECOMMENDED PCB LAYOUT
 BELLY TO BELLY TYPE OF 2 REAR HOLES OF LEGS
 PCB TOLERANCE: ± 0.05
 SCALE 6:1

THIS DRAWING IS A CONTROLLED DOCUMENT.		OWN: LEO LI 19APR2019	TE Connectivity	
DIMENSIONS: mm		CHK: SEAN HAN 19APR2019		
TOLERANCES UNLESS OTHERWISE SPECIFIED:		APVD: SEAN HAN 19APR2019	NAME: CAGE ASSEMBLY, QSPF-DD 1X1, WITH EMI SPRING FINGER	
0 PLC ± 0.25		PRODUCT SPEC: 108-60122/108-130042	APPLICATION SPEC: 114-130017	
1 PLC ± 0.25		SIZE: A1	CAGE CODE: -	
2 PLC ± 0.20		DRAWING NO: C=2354751	RESTRICTED TO: -	
3 PLC ± 0.10		SCALE: 2:1	SHEET 6 OF 7	
4 PLC \pm		REV: A3		
ANGLES \pm		CUSTOMER DRAWING		

LOC		DIST		REVISIONS			
				REV	DATE	BY	APPV
-	-	-	-	-	-	-	-
-	-	-	-	-	SEE SHEET 1	-	-
-	-	-	-	-	-	-	-
-	-	-	-	-	-	-	-



RECOMMENDED PCB LAYOUT
 SINGLE TYPE OF 1 REAR HOLE
 PCB TOLERANCE: ± 0.05
 SCALE 6:1



RECOMMENDED PCB LAYOUT
 BELLY TO BELLY TYPE OF 1 REAR HOLE
 PCB TOLERANCE: ± 0.05
 SCALE 6:1

THIS DRAWING IS A CONTROLLED DOCUMENT.		OWN: LEO LI 19APR2019	TE Connectivity
DIMENSIONS: mm		CHK: SEAN HAN 19APR2019	
TOLERANCES UNLESS OTHERWISE SPECIFIED: 0 PLC ± 0.25 1 PLC ± 0.25 2 PLC ± 0.20 3 PLC ± 0.10 4 PLC \pm ANGLES \pm FINISH \pm		APVD: SEAN HAN 19APR2019	NAME: CAGE ASSEMBLY, QSPF-DD 1X1, WITH EMI SPRING FINGER
		PRODUCT SPEC: 108-60122/108-130042	RESTRICTED TO:
MATERIAL: -		APPLICATION SPEC: 114-130017	SIZE: A1
		WEIGHT: -	CAGE CODE: 2354751
		CUSTOMER DRAWING	SCALE: 2:1 SHEET 7 OF 7 REV: A3