

Test Procedure for MC34063SMDBBGEVB Evaluation Board

ON Semiconductor



11/11/2003

Table 1: Required Equipment

Three Black Test Leads	Three Red Test Leads	100mA load (or 33 ohm, 1W resistor)
12 VDC Power Supply	MC34063 Buck-Boost Regulator	Digital Multimeter
Four Alligator Clips		

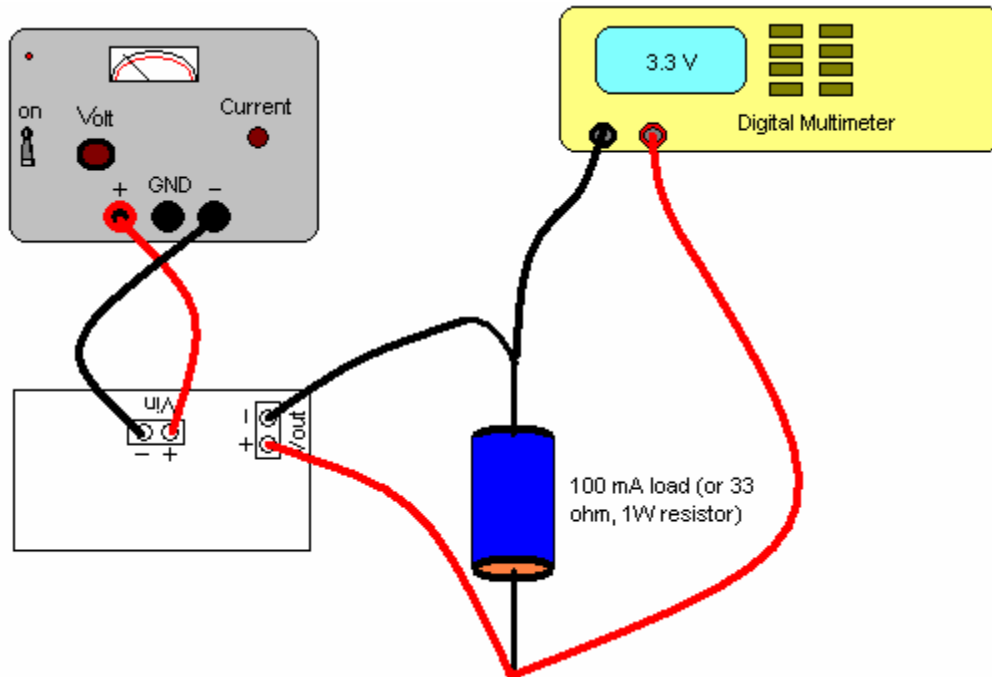


Figure 1: Test Procedure for MC34063

1. Attach 100 mA load (or 33 ohm, 1W resistor) to connector P302.
2. Attach 3.0 VDC source to connector P301 – observe polarity.
3. Turn on 3.0 VDC source.
4. Measure DC output voltage at connector P302.
5. DC voltage should be 3.3 V +/- 0.15 V.
6. Remove load.
7. Measure DC output voltage at connector P302.
8. DC voltage should be 3.3 V +/- 0.15 V.
9. Reattach 100 mA load.
10. Adjust DC source to 6.0 VDC.
11. Measure DC output voltage at connector P302.
12. DC voltage should be 3.3 V +/- 0.15V.
13. Remove load.
14. Measure DC output voltage at connector P302.
15. DC voltage should be 3.3 V +/- 0.15V.
16. Remove DC source and disconnect load – test complete.