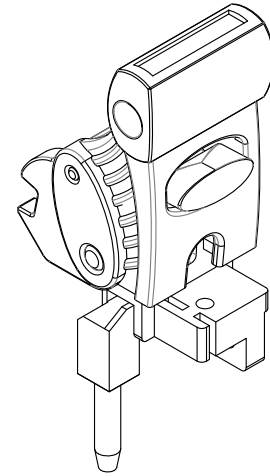
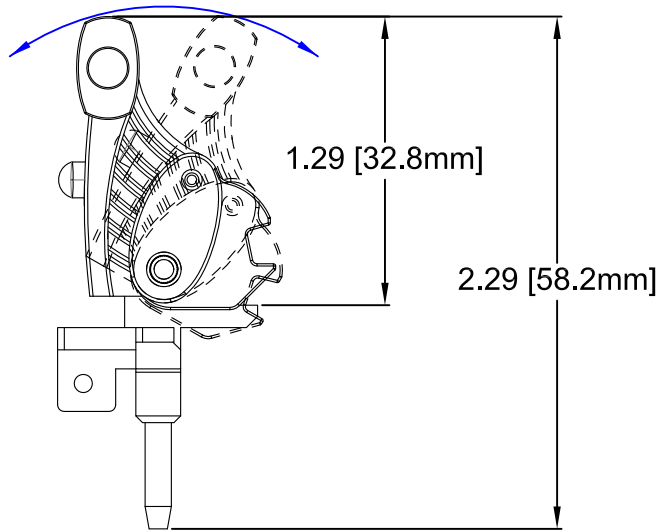
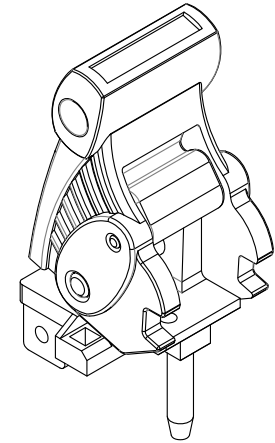


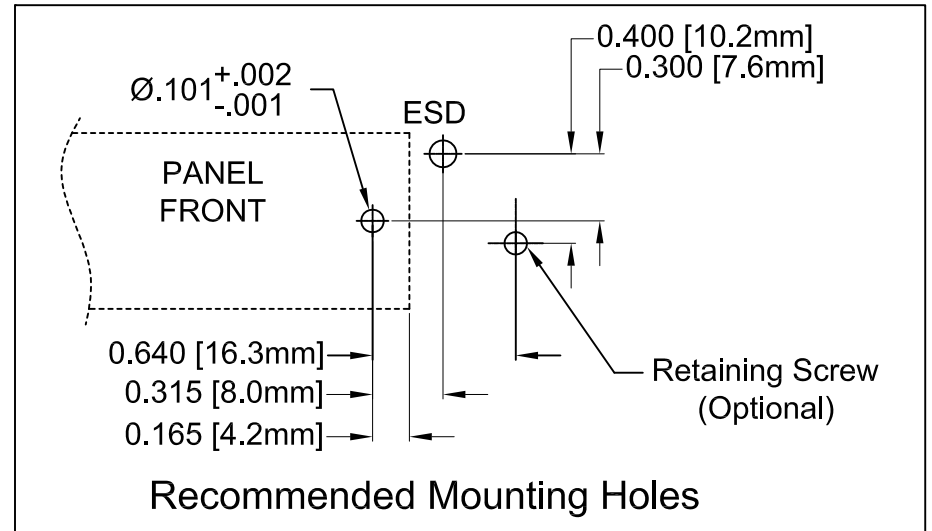
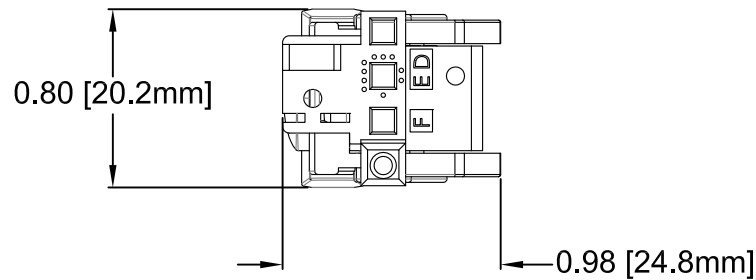
REV.	DESCRIPTION	DATE	APPROVED
D	Engineering Update w/out Changes.	08/21/14	J. C.
E	Removed Notes 2.	08/05/15	J. C.




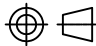
3D VIEW LOCKED



3D VIEW OPEN



NOTES:
1. Compliant with PICMG CPCI standard

STANDARD TOLERANCE (UNLESS OTHERWISE SPECIFIED)		 4 THOMAS, IRVINE, CA. 92618 TEL: (949) 951-8808 FAX: (949) 951-3974					
DECIMALS	ANGULAR						
.X ±.1	X° ± 1°		TITLE: CPCI EJECTOR HANDLE BOTTOM, STYLE E3				
.XX ±.01				DESIGNED: Brian Oliver	DATE: 08/21/14	PART NO: CPCI-E3-BNS	REVISION: E
.XXX ±.005				CHECKED: A. Wright	DATE: 08/21/14	CAGE CODE : 32559	SHEET # 1 OF 1
				CAD GENERATED DOCUMENT, DO NOT MEASURE DRAWING.			