

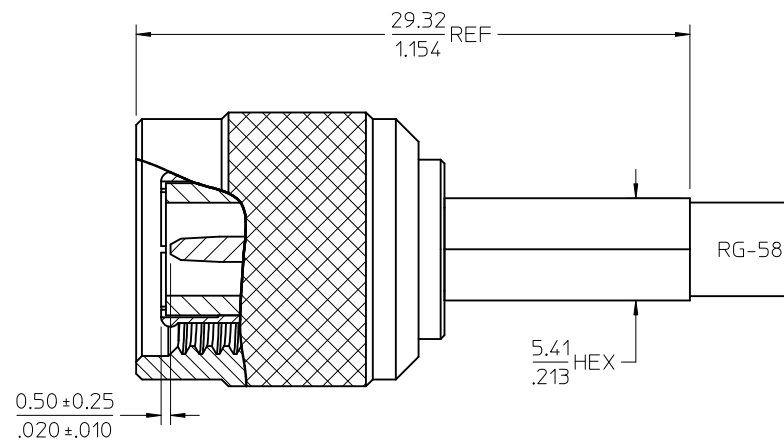
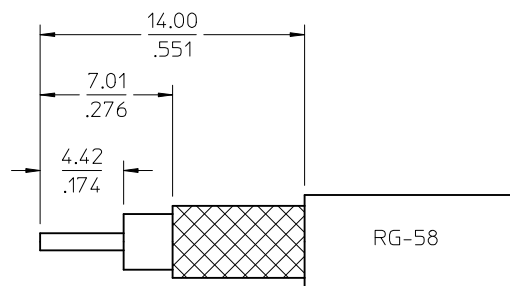
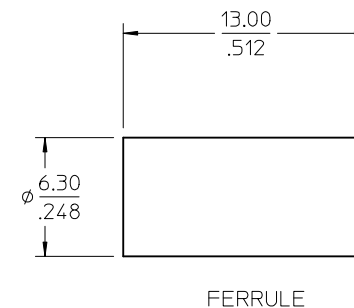
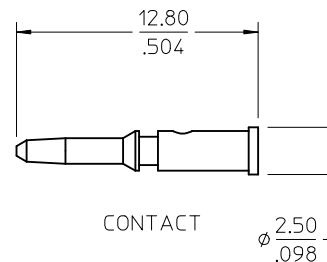
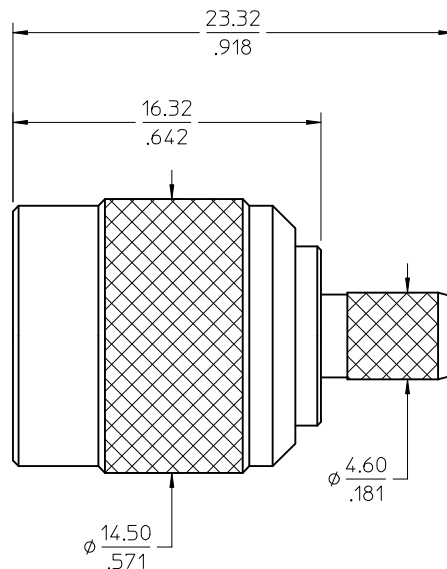
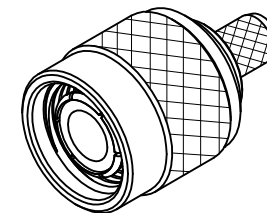
MATERIALS AND FINISHES :

COUPLING NUT, RETAINING RING,  
SLEEVE, BODY, FERRULE: BRASS  
PLATED NICKEL

INSULATOR POLYPROPYLENE

GASKET SILICONE RUBBER

CENTER CONTACT BRASS  
PLATED GOLD



RECOMMENDED CABLE STRIP

73216-2870	ONE PER BAG
73219-0023	BULK
PART NO.	PACKAGING

ORIGINALLY DRAWN BY: KELLY 1992/06/20

CHG: REDRAW IN SD	EC NO: 2012/02/01 DRWN: JWIENER CHKD: SSS APPR: 2012/02/01	DESCRIPTION	QUALITY SYMBOLS ▽=0 ▽=0	GENERAL TOLERANCES (UNLESS SPECIFIED)	DIMENSION STYLE MM/IN	SCALE METRIC	DESIGN UNITS METRIC	THIRD ANGLE PROJECTION
				4 PLACES ± --- ± --- 3 PLACES ± --- ± --- 2 PLACES ± --- ± --- 1 PLACE ± --- ± ---	DRAWN BY JWIENER	DATE 2012/02/01	TITLE TNC PLUG, RG-58 50 OHM TNC-P/RG58	
ANGULAR ± 2 °	DRAFT WHERE APPLICABLE MUST REMAIN WITHIN DIMENSIONS	MATERIAL NO. SEE TABLE	APPROVED BY	DATE	MATERIAL NO. SEE TABLE	DOCUMENT NO. SD-73219-0023	SHEET NO. 1 OF 1	