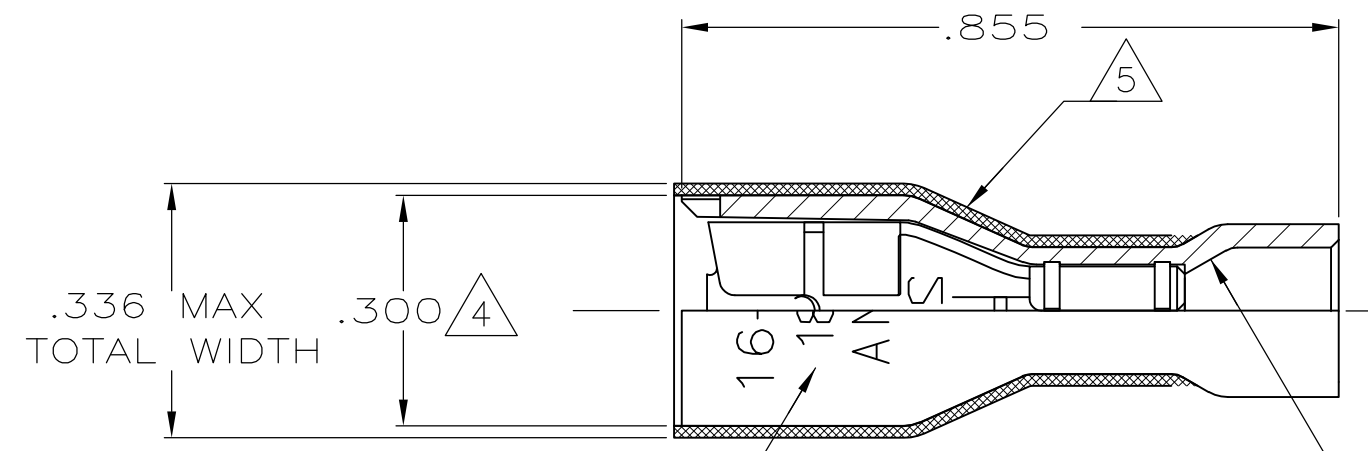
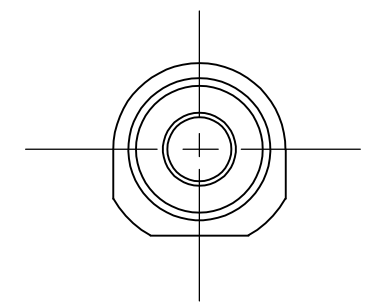
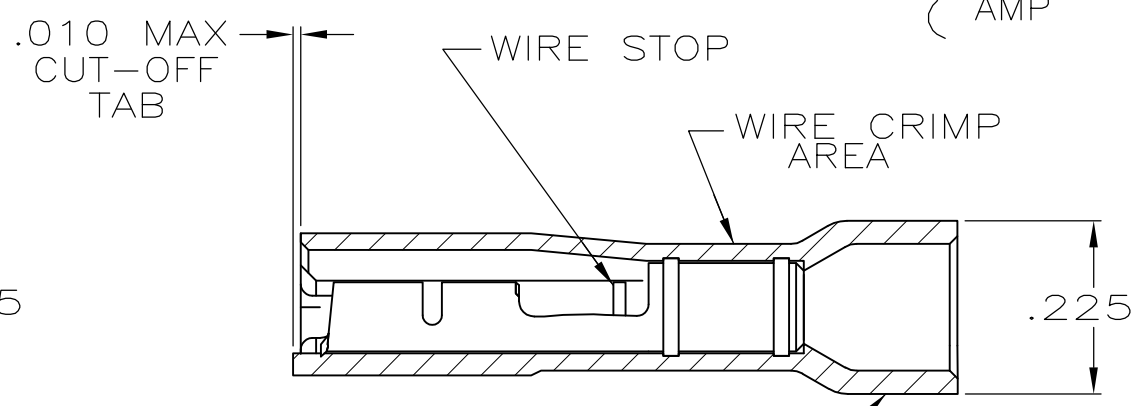
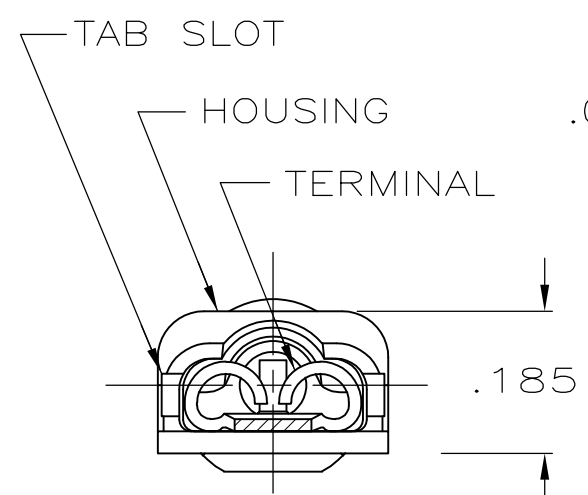


THIS DRAWING IS UNPUBLISHED. RELEASED FOR PUBLICATION  
 © COPYRIGHT - By - ALL RIGHTS RESERVED.

LOC	DIST	REVISIONS					
		P	LTR	DESCRIPTION	DATE	DWN	APVD
AF	50		N	REVISED PER ECR-12-005303	18JUL12	KH	KR



- 1 MATES WITH .020±.001x.187 TAB
- 2 WIRE STRIP LENGTH .281
- 3 INSULATION SIZE .160 MAX DIA
- 4 DIMENSION DOES NOT INCLUDE TRIM BURR
- 5 .015 MAX CARRIER TRIM BURR PER SIDE IS ALLOWABLE IN THE SHADED AREA



HOUSING: NYLON, COLOR-BLUE TRANSLUCENT RECEPTACLE: #3 HARD BRASS TIN	3-350816-2
MATERIAL & FINISH	PART NO

THIS DRAWING IS A CONTROLLED DOCUMENT.		DWN P FORTNEY 11/7/88	<b>STE</b> TE Connectivity	
DIMENSIONS: INCHES		CHK MS FEHER 11/7/88		
TOLERANCES UNLESS OTHERWISE SPECIFIED:		APVD K RANDOLH 11/7/88	NAME	
0 PLC ± -		PRODUCT SPEC 108-2043	RECEPTACLE ASSY, ULTRA-FAST, LOOSE PIECE, .187 SERIES, 16-14 AWG	
1 PLC ± -		APPLICATION SPEC 114-2123	SIZE	CAGE CODE
2 PLC ± -		WEIGHT -	A3	00779
3 PLC ± .015		CUSTOMER DRAWING	DRAWING NO	C-350816
4 PLC ± -		SCALE 4:1	SHEET 1 OF 1	REV N
ANGLES ± -				
FINISH				
SEE TABLE				