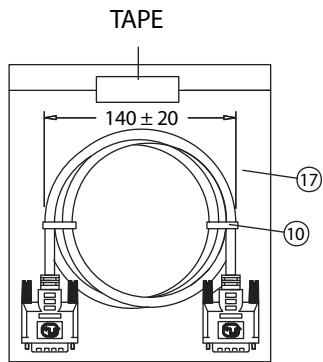
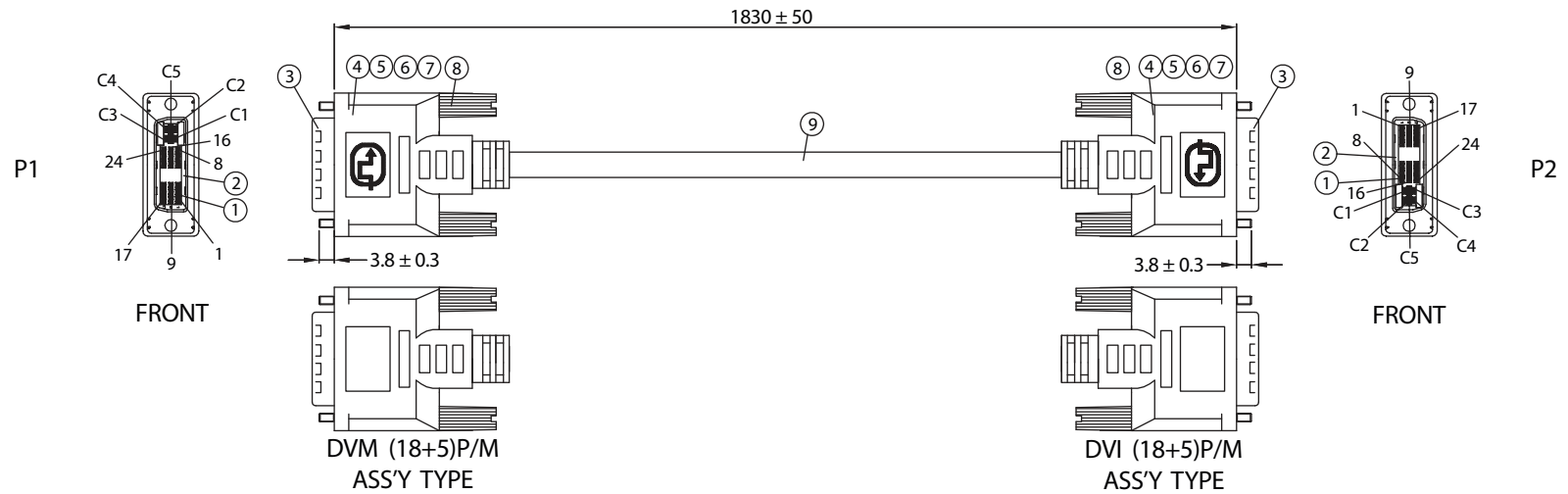


REVISION			
REV.	DESCRIPTION	DATE	APPROVED



PIN OUT	
P1	P2
1 WHITE	1 RED
2 ORANGE	2 BLACK
3 DRAIN	3 BROWN
6 WHITE	6 WHITE
7 YELLOW	7 YELLOW
8 BLUE	8 DRAIN
9 WHITE	9 WHITE
10 BLACK	10 RED
11 DRAIN	11 DRAIN
14 RED	14 RED
15 BLACK	15 BLACK
16 BROWN	16 BROWN
17 WHITE	17 WHITE
18 YELLOW	18 YELLOW
19 DRAIN	19 DRAIN
23 WHITE	23 WHITE
24 RED	24 RED
22 DRAIN	22 DRAIN
C1 RED	C1 RED
C5 GREEN	C5 GREEN
C2 GREEN	C2 GREEN
C5 BLUE	C5 BLUE
C3 BLUE	C3 BLUE
C5 YELLOW	C5 YELLOW
C4 YELLOW	C4 YELLOW
SHELL BRAID	SHELL BRAID

No.	PARTS NAME	SPECIFICATION STANDARD	QTY	REMARKS
①	DVI (18+5)P/M - CONTACT	BRONZE/GOLD PLATED SOLDER TYPE	46	MAIN SUPER OR EQUIV
②	DVI (18+5)P/M - INSULATOR	THERMOPLASTIC/BLACK UL94V-0	2	
③	DVI (18+5)P/M - SHELL	STEEL NICKEL PLATED	2	
④	COPPER FOIL	WIDTH: 8mm	2	
⑤	CAN	STEEL TIN PLATED ID: 9.0mm	2	
⑥	OUTER COVER	45P PVC/BEIGE ID: 9.0mm	2	
⑦	THUMB SCREW	#4-40 2.8x45, NICKEL PLATED	4	
⑧	SCREW-MOLD	35P PVC, COLOR: BEIGE	4	
⑨	CABLE DVI 18+5 UL20276	KL03008ABK01A	1	
⑩	MINI TIE	PE/BLACK	2	
⑪	POLYBAG	PE/0.08x200x250	1	

NOTES:

1. CABLE:

(28AWGx1P+DW+FOIL)x4P+(28AWG+SP+FOIL)x3C+28AWGx5C+28AWGx1P+MYLAR+FOIL+BD
 OUTER JACKET COLOR: BEIGE, OD: 8.5 ± 0.3mm
 PRINTING: "E166307 AWM 20276 28AWG 80°C 30V VW-1
 LOW VOLTAGE COMPUTER CABLE"

2. CONNECTORS: DVI (18+5)P/M - DVI (18+5)P/M

3. HOOD: ASS'YTYPE

4. CABLE ELECTRICAL TEST:

<1>.100% OPEN SHORT & MISS WIRE TEST

<2>.INSULATION RESISTANCE: DC400V 10M ohm MIN.

<3>.CONDUCTOR RESISTANCE: 3 ohm MAX.

5. PACKING: 1PC/POLYBAG

Dim range (mm)	Tolerance +/- (mm)	Qualtek Electronics Corp. WCI DIVISION		
		Part Number: 1321016-06	RoHS Compliant	
0-1	0.15	Description: DVI (18+5)P/M - DVI (18+5)P/M		
1-6	0.20			
6-18	0.30			
18-50	0.50			
50-120	0.70	Drawn / Date	Checked / Date	Approved / Date
120-250	0.90	B.Grubb 01-02-07	01-02-07	JJH / 01-02-07
250-500	1.20			