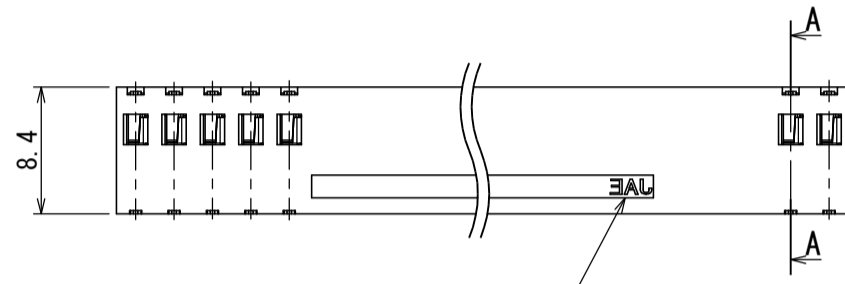
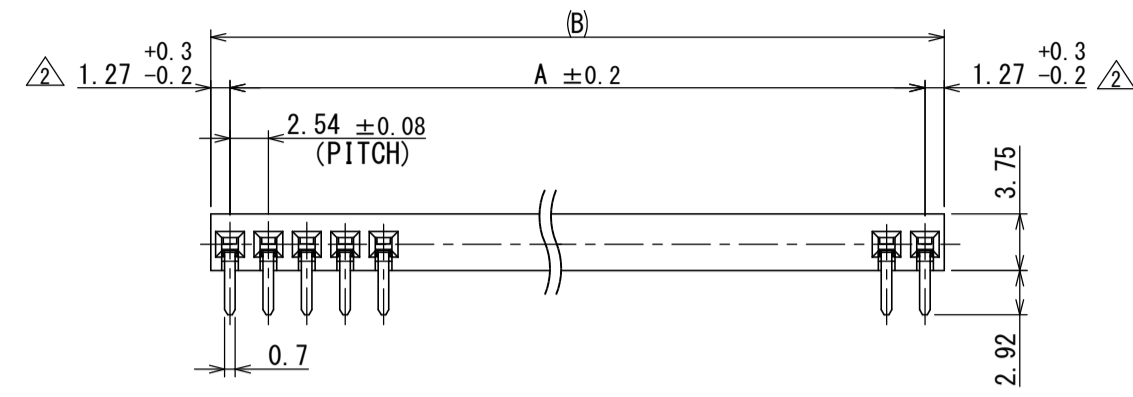
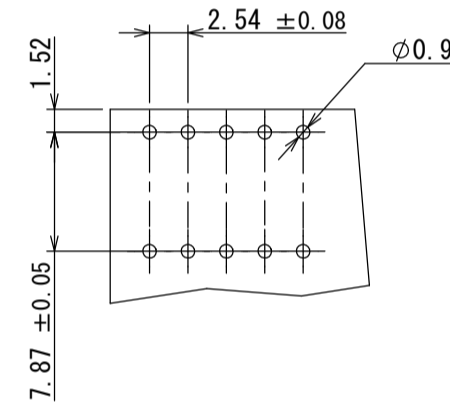
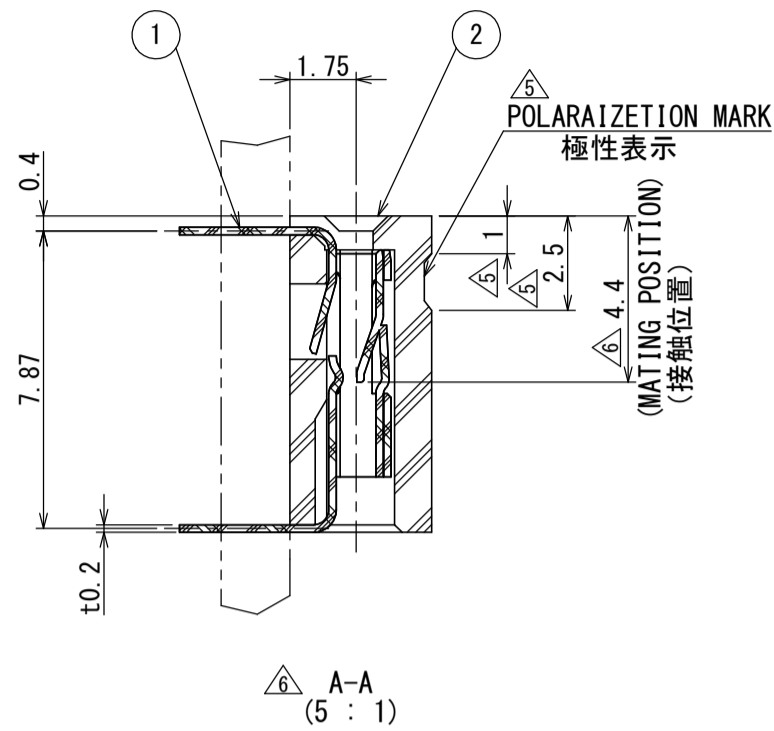
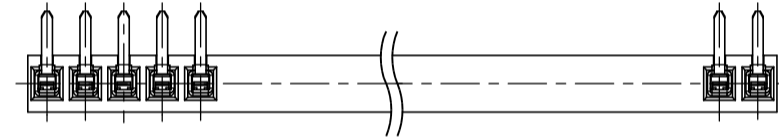


SJ013940
(DRAWING NO.)



MARKINGS (NOTE1) (BACK SIDE)
品名表示 (裏面)



P.C.B. HOLE PATTERNS (REF.)
基板取付穴寸法 (参考)

NOTE1. COMPANY LOGO "JAE", PART NUMBER AND PRODUCTION LOT NUMBER AS INDICATED. (SEE TABLE 3)

注1. 品名表示 図示の位置に社標、品名及び生産ロット番号を表示する。(表3参照)

DESIGNATION
命名法

PS-**-**SD-S4T1-*

CONTACT FINISH (SEE TABLE 2)
仕上げ (表2参照)

TERMINAL LENGTH
結線部長さ

TERMINATION (T: THROUGH HOLE TYPE)
ターミネーション (T: スルーホール)

CONTACT ROW AND PITCH (S: SINGLE ROW, 4: 2.54 PITCH)
1列 2.54ピッチ

CONTACT DESIGN
接触部構造

SOCKET SIDE
ソケット側

NO. OF CONTACTS (SEE TABLE 1)
芯数 (表1参照)

SERIES
シリーズ名

PRODUCTION LOT NUMBER
生産ロット番号

※※※※

LOT NUMBER OF CURRENT MONTH
月の生産ロット番号

MONTH (1~9, OCT:0, NOV:X, DEC:Y)
月表示 (1~9, 10月:0, 11月:X, 12月:Y)

YEAR (LAST DIGIT ONLY)
年表示 (西暦末尾)

MANUFACTURING DEPARTMENT CODE
製造部門コード

版数 VER.	年月日 DATE	図 NO.	変更内容 DESCRIPTION	製 DR.	担 CHK.	査 APPD.	承 APPD.
9	28/MAR/1997	39708	REDRAWN	J. ICHIYAMA	Y. YAHIRO	K. HISATOMI	H. YASUI
10	25/JUL/2014	008360	REDRAWN, CHANGE NOTE, ETC.	—	K. NAKAZAWA	—	T. KUDOU
11	04/NOV/2020	035864	CORRECT PRODUCTION LOT NUMBER	—	K. KUMAGA1	K. NAKAZAWA	T. ADYAGI

TABLE 1. PART NO. AND CONTACTS DIMENSIONS

PART NO.	NO. OF CONTACTS	A	B	PART NO.	NO. OF CONTACTS	A	B
PS-1SD-S4T1-*	1	—	2.54	PS-34SD-S4T1-*	34	83.82	86.36
PS-2SD-S4T1-*	2	2.54	5.08	PS-35SD-S4T1-*	35	86.36	88.90
PS-3SD-S4T1-*	3	5.08	7.62	PS-36SD-S4T1-*	36	88.90	91.44
PS-4SD-S4T1-*	4	7.62	10.16	PS-37SD-S4T1-*	37	91.44	93.98
PS-5SD-S4T1-*	5	10.16	12.70	PS-38SD-S4T1-*	38	93.98	96.52
PS-6SD-S4T1-*	6	12.70	15.24	PS-39SD-S4T1-*	39	96.52	99.06
PS-7SD-S4T1-*	7	15.24	17.78	PS-40SD-S4T1-*	40	99.06	101.60
PS-8SD-S4T1-*	8	17.78	20.32	PS-41SD-S4T1-*	41	101.60	104.14
PS-9SD-S4T1-*	9	20.32	22.86	PS-42SD-S4T1-*	42	104.14	106.68
PS-10SD-S4T1-*	10	22.86	25.40	PS-43SD-S4T1-*	43	106.68	109.22
PS-11SD-S4T1-*	11	25.40	27.94	PS-44SD-S4T1-*	44	109.22	111.76
PS-12SD-S4T1-*	12	27.94	30.48	PS-45SD-S4T1-*	45	111.76	114.30
PS-13SD-S4T1-*	13	30.48	33.02	PS-46SD-S4T1-*	46	114.30	116.84
PS-14SD-S4T1-*	14	33.02	35.56	PS-47SD-S4T1-*	47	116.84	119.38
PS-15SD-S4T1-*	15	35.56	38.10	PS-48SD-S4T1-*	48	119.38	121.92
PS-16SD-S4T1-*	16	38.10	40.64	PS-49SD-S4T1-*	49	121.92	124.46
PS-17SD-S4T1-*	17	40.64	43.18	PS-50SD-S4T1-*	50	124.46	127.00
PS-18SD-S4T1-*	18	43.18	45.72	PS-51SD-S4T1-*	51	127.00	129.54
PS-19SD-S4T1-*	19	45.72	48.26	PS-52SD-S4T1-*	52	129.54	132.08
PS-20SD-S4T1-*	20	48.26	50.80	PS-53SD-S4T1-*	53	132.08	134.62
PS-21SD-S4T1-*	21	50.80	53.34	PS-54SD-S4T1-*	54	134.62	137.16
PS-22SD-S4T1-*	22	53.34	55.88	PS-55SD-S4T1-*	55	137.16	139.70
PS-23SD-S4T1-*	23	55.88	58.42	PS-56SD-S4T1-*	56	139.70	142.24
PS-24SD-S4T1-*	24	58.42	60.96	PS-57SD-S4T1-*	57	142.24	144.78
PS-25SD-S4T1-*	25	60.96	63.50	PS-58SD-S4T1-*	58	144.78	147.32
PS-26SD-S4T1-*	26	63.50	66.04	PS-59SD-S4T1-*	59	147.32	149.86
PS-27SD-S4T1-*	27	66.04	68.58	PS-60SD-S4T1-*	60	149.86	152.40
PS-28SD-S4T1-*	28	68.58	71.12	PS-61SD-S4T1-*	61	152.40	154.94
PS-29SD-S4T1-*	29	71.12	73.66	PS-62SD-S4T1-*	62	154.94	157.48
PS-30SD-S4T1-*	30	73.66	76.20	PS-63SD-S4T1-*	63	157.48	160.02
PS-31SD-S4T1-*	31	76.20	78.74	PS-64SD-S4T1-*	64	160.02	162.56
PS-32SD-S4T1-*	32	78.74	81.28	PS-65SD-S4T1-*	65	162.56	165.10
PS-33SD-S4T1-*	33	81.28	83.82				

TABLE 2. CONTACT FINISH

FINISH	1	2	3
CONTACT AREA	GOLD (0.1 μm MIN.) OVER NICKEL	GOLD (0.3 μm MIN.) OVER NICKEL	GOLD (0.76 μm MIN.) OVER NICKEL

TABLE 3

NO. OF CONTACTS 芯数	MARKING 表示
1~2	NONE (表示なし)
3~5	JAE
6~19	JAE**
20~65	JAE PS-**-**※※※※

(** : NO. OF CONTACTS)

符号 NO.	名 DESCRIPTION	個 QTY.	材 MATERIAL	仕 FINISH	備 REMARKS
2	INSULATOR	1	PBT	NONE	UL-94V-0 (COLOR: BALCK)
1	CONTACT	SEE TABLE 1	COPPER ALLOY	SEE TABLE 2	—

仕様書 (SPECIFICATION)	第1版 (ORIGINAL DATE)	尺度 (SCALE)	シリーズ (SERIES)
JACS-1133	21/JAN/1974	2:1	PS

一般公差 (GENERAL TOLERANCE)	角度 (ANGLES)	製 DR.	担 CHK.	査 APPD.	承 APPD.	承認 APPD.
. × ± 0.8	×° ±	SUGASAWA	ICHIMURA	M. SUZUKI	KITAMURA	
. × × ± 0.4	×° ×' ±					
. × × × ± 0.1	×° ×' ×" ±					
. × × × × ±						

単位 (UNIT) : mm	シート (SHEET NO.)	1 OF 1	質量 (MASS)	図面番号 (DRAWING NO.)	版数 (VER.)
				SJ013940	11

WISDOM承認 2020/11/23