

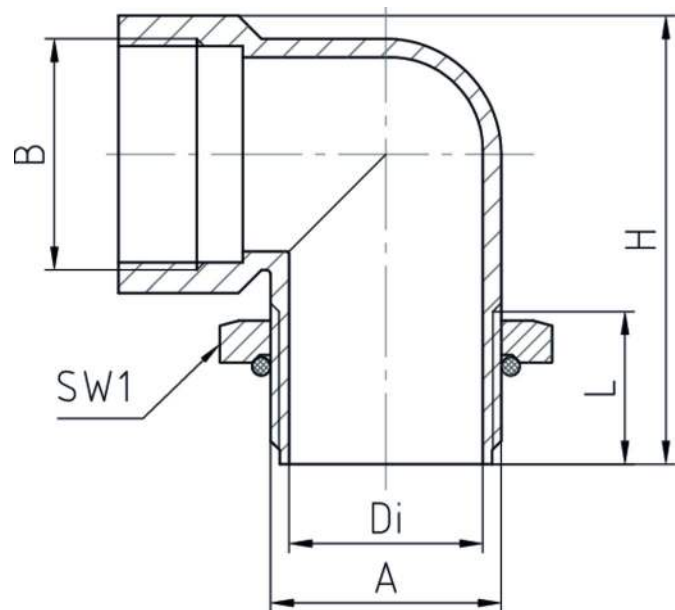
Elbow

21.6xxM

Elbow	Zinc die-casting, nickel-plated
Locknut	Brass CuZn39Pb3, nickel-plated
O-ring	Nitrile rubber NBR
Connecting thread	metric, as per EN 60423




Properties	
Temperature range	<ul style="list-style-type: none"> • for application in installation areas with small amounts of space due to construction dimensions • locknut allows adjustment in any position
Protection grade	-20 °C +100 °C max. IP68 dependent on the combination with other components



Features

Connecting thread standard length

A	B	L	SW1	H	Di	 VPE	Part No.
M16x1,5	M16x1,5	16	22	38	12,2	100	21.616M
M20x1,5	M20x1,5	16	26	42	16	50	21.620M
M25x1,5	M25x1,5	16,5	34	48,5	21	50	21.625M
M32x1,5	M32x1,5	18,5	40	57,5	27,6	25	21.632M
M40x1,5	M40x1,5	19	50	67	35	10	21.640M