

注記 NOTES

1. 嵌合相手 : 51146 シリーズ  
MATES WITH : 51146 SERIES
2. ロック窓は 2、3 極品は 1 箇所、4 極品以上は 2 箇所とする。  
LOCKING WINDOW : ONE PLACE FOR 2 AND 3 CIRCUIT PRODUCTS AND TWO PLACES FOR MORE THAN 3 CIRCUIT PRODUCTS.
3. 基準面 [V] からのソルダーテールと金具の半田付け面のズレ量は、上方向に 0.05MAX. 下方向 0.15MAX. とし、20 極以下の相互のバラツキ量は 0.1MAX. とする。  
MISALIGNMENT OF SOLDER TAIL AND FITTING NAIL FROM [V]  
: UPPER DIRECTION 0.05MAX.  
: LOWER DIRECTION 0.15MAX.  
: OFFSET BETWEEN UPPER AND LOWER 0.1MAX. (UNDER 20 CKTS.)
4. 偶数極の製品に適用。  
APPLY EVEN CIRCUIT PRODUCTS.
5. 材質 MATERIAL  
ウエハー WAFER : PPS, UL94V-0  
ピン : リン青銅 PIN : PHOSPHOR BRONZE  
コンタクト部 : 金メッキ 0.2 マイクロメートル以上  
CONTACT AREA : GOLD 0.2 MICROMETER MINIMUM  
テール部 : 錫メッキ 3.0 マイクロメートル以上  
TAIL AREA : TIN 3.0 MICROMETER MINIMUM  
下地メッキ : ニッケルメッキ 1.0 マイクロメートル以上  
UNDER PLATING : NICKEL 1.0 MICROMETER MINIMUM  
金具 : リン青銅 FITTING NAIL : PHOSPHOR BRONZE  
錫メッキ 3.0 マイクロメートル以上  
TIN 3.0 MICROMETER MINIMUM  
下地メッキ : ニッケルメッキ 1.0 マイクロメートル以上  
UNDER PLATING : NICKEL 1.0 MICROMETER MINIMUM
6. 本製品は 53780-\*\*10/-\*\*18 の鉛フリー品である。  
THIS PRODUCT IS LEAD FREE OF 53780-\*\*10/-\*\*18.
7. ELV及びRoHS適合品  
ELV & RoHS COMPLIANT.

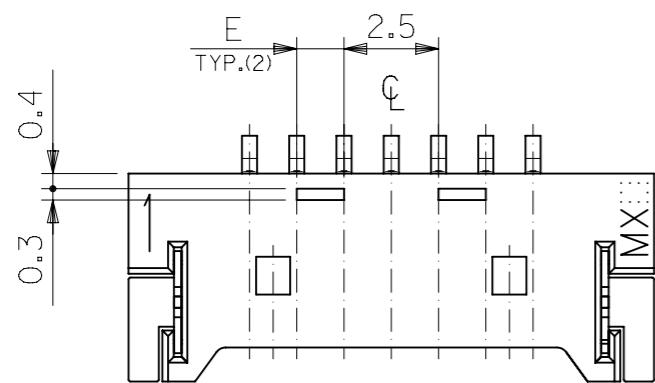
8.75	22.5	26.27	23.75	30.15	53780-2070	20
6.25	16.25	20.02	17.5	23.9	-1570	15
5	15	18.77	16.25	22.65	-1470	14
2.5	10	13.77	11.25	17.65	-1070	10
2.5	8.75	12.52	10	16.4	-0970	9
1.25	7.5	11.27	8.75	15.15	-0870	8
1.25	6.25	10.02	7.5	13.9	-0770	7
—	5	8.77	6.25	12.65	-0670	6
—	3.75	7.52	5	11.4	-0570	5
—	2.5	6.27	3.75	10.15	-0470	4
—	—	5.02	2.5	8.9	-0370	3
—	—	3.77	1.25	7.65	53780-0270	2
E	D	C	B	A	EMBOSSED PACKAGE	CKT.
					オーダー番号 ORDER No.	極数

CONNECTOR SERIES NO. 53780-\*\*19

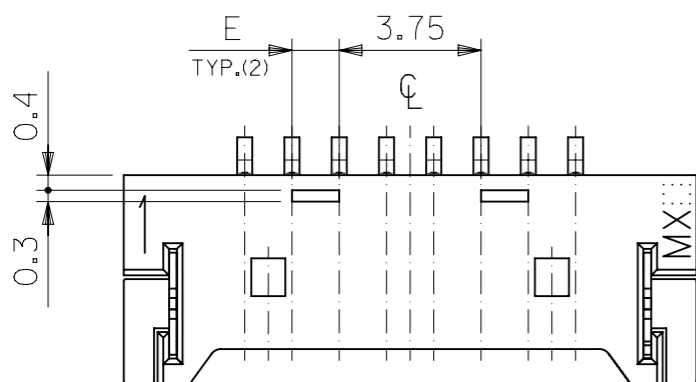
THIS DRAWING CONTAINS INFORMATION THAT IS PROPRIETARY TO MOLEX ELECTRONIC TECHNOLOGIES, LLC AND SHOULD NOT BE USED WITHOUT WRITTEN PERMISSION

DIMENSION UNITS	SCALE	CURRENT REV DESC: OBSOLETE PART NUMBERS AS PER PCN#510806			
mm	NTS				
GENERAL TOLERANCES (UNLESS SPECIFIED)			1.25 W/B CONN WAFER ASSY FOR SMT		
ANGULAR TOL ± 3.0°			PRODUCT CUSTOMER DRAWING		
4 PLACES ± 0.2			DOCUMENT NUMBER		
3 PLACES ± 0.25			DOC TYPE		
2 PLACES ± 0.3			DOC PART		
1 PLACE ±			REVISION		
0 PLACES ±			SD-53780-003		
DRAFT WHERE APPLICABLE MUST REMAIN WITHIN DIMENSIONS			MATERIAL NUMBER		
THIRD ANGLE PROJECTION			CUSTOMER		
DRAWING			SHEET NUMBER		
SERIES			SEE TABLE		
A3-SIZE			GENERAL MARKET		
53780			1 OF 2		

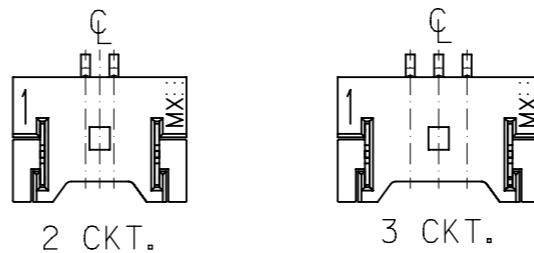
GENERAL TOLERANCES (UNLESS SPECIFIED)		
1.0 <sup>OVER</sup>	10 <sup>UNDER</sup>	±0.2
10 <sup>OVER</sup>	30 <sup>UNDER</sup>	±0.25
30 <sup>OVER</sup>		±0.3
ANGULAR		±3°



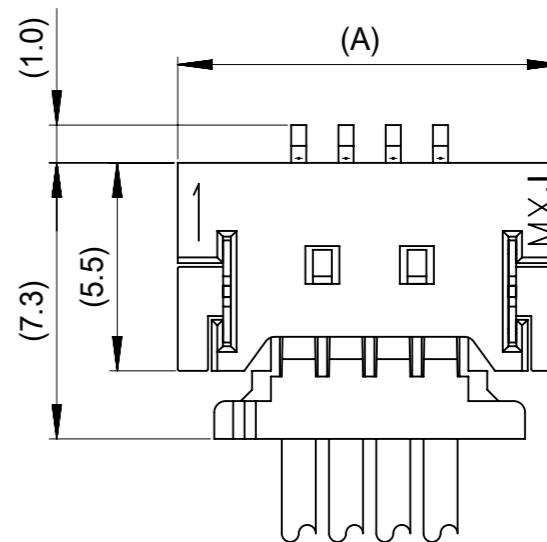
7~19極の奇数極に適用  
 APPLY FOR ODD CIRCUITS OF 7~19



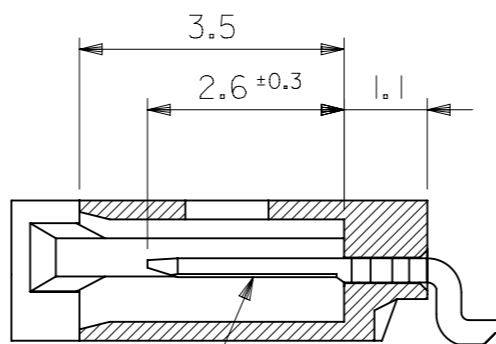
8~30 極の偶数極に適用  
 APPLY FOR EVEN CIRCUITS OF 8~30



ロック形状図  
 LOCK CONFIGURATION



嵌合図 (SCALE 5:1)  
 MATED CONNECTORS (SCALE 5:1)



PIN  
 SECT. Z-Z

CONNECTOR SERIES NO. 53780-\*\*19

THIS DRAWING CONTAINS INFORMATION THAT IS PROPRIETARY TO MOLEX ELECTRONIC TECHNOLOGIES, LLC AND SHOULD NOT BE USED WITHOUT WRITTEN PERMISSION

DIMENSION UNITS: mm  
 SCALE: NTS

CURRENT REV DESC: OBSOLETE PART NUMBERS  
 AS PER PCN#510806

**molex**

1.25 W/B CONN WAFER  
 ASSY FOR SMT

GENERAL TOLERANCES  
 (UNLESS SPECIFIED)

1.0 <sup>OVER</sup>	10 <sup>UNDER</sup>	±0.2
10 <sup>OVER</sup>	30 <sup>UNDER</sup>	±0.25
30 <sup>OVER</sup>		±0.3
ANGULAR		±3°

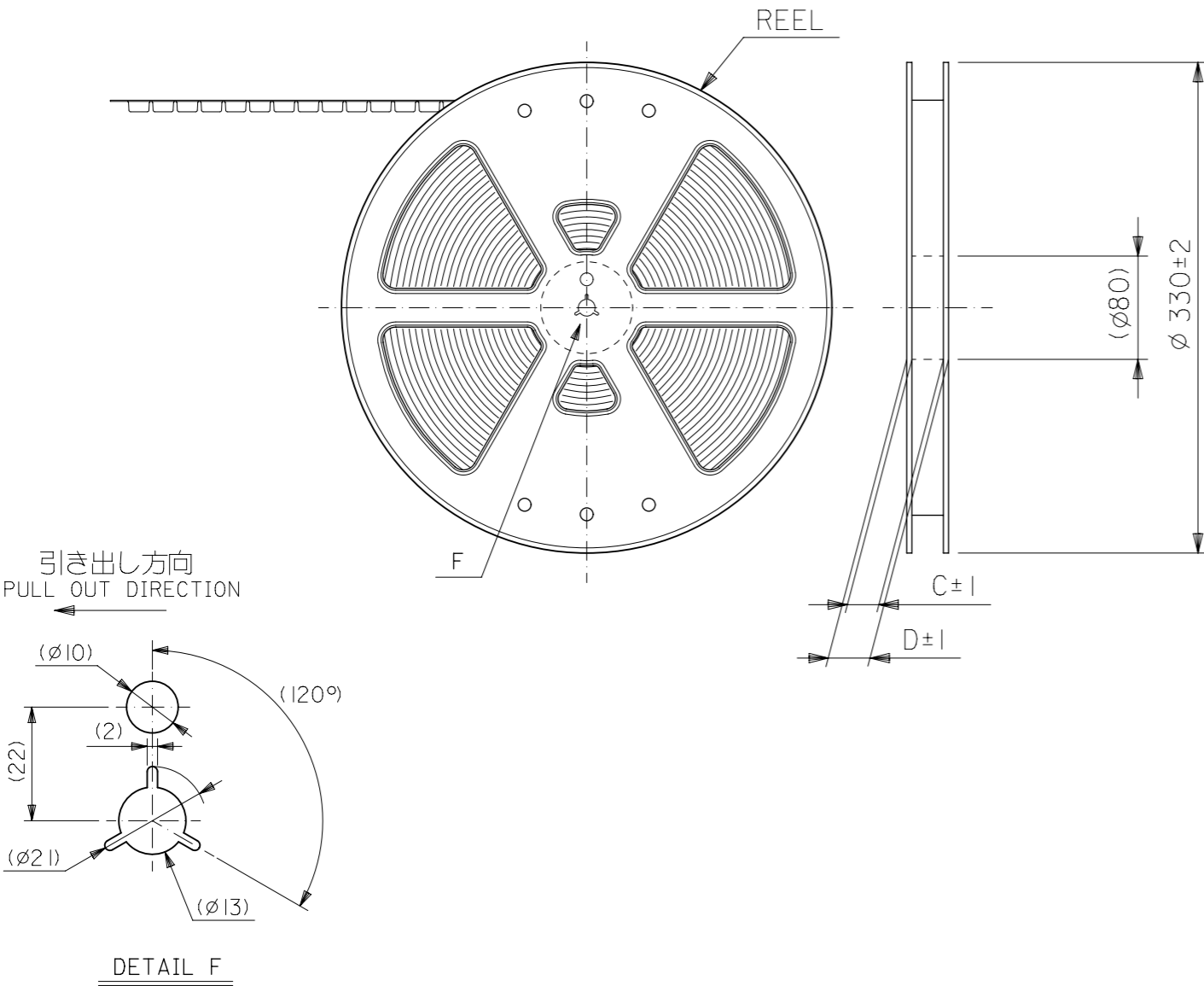
GENERAL TOLERANCES (UNLESS SPECIFIED)	ANGULAR TOL ± 3.0°
4 PLACES ± 0.2	
3 PLACES ± 0.25	
2 PLACES ± 0.3	
1 PLACE ±	
0 PLACES ±	

EC NO: 733771  
 DRWN: ANIKES1  
 CHK'D: GGA  
 APPR: GGA  
 INITIAL REVISION:  
 DRWN: TUENO  
 APPR: MSASAO

2023/01/18  
 2023/02/24  
 2023/02/24

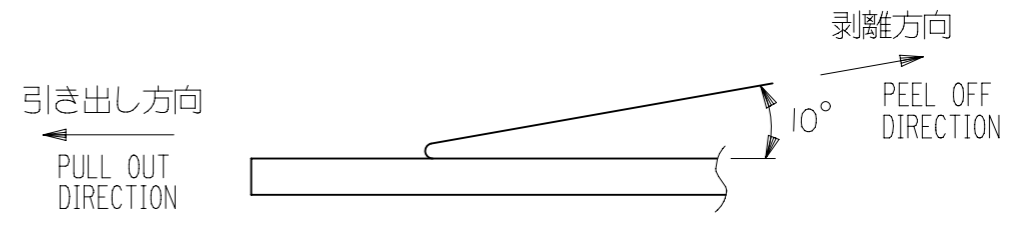
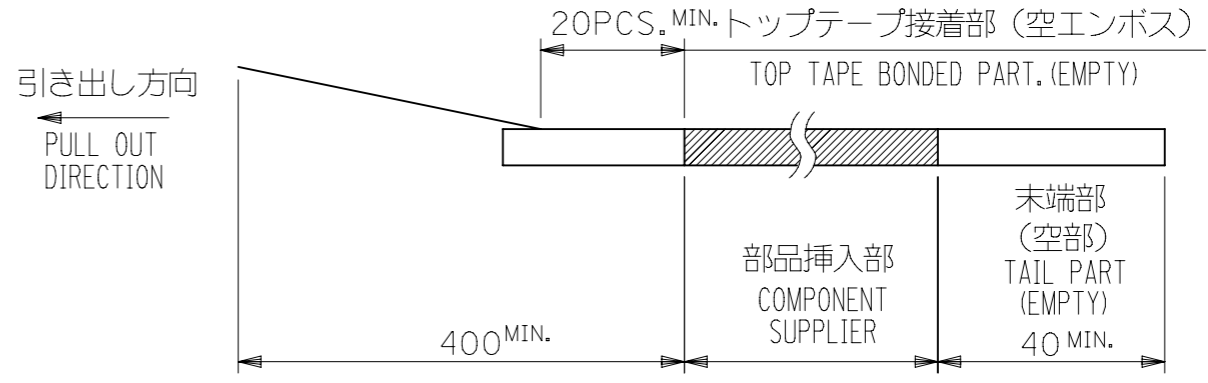
DOCUMENT NUMBER	DOC TYPE	DOC PART	REVISION
SD-53780-003	PSD	001	H

DRAFT WHERE APPLICABLE MUST REMAIN WITHIN DIMENSIONS	THIRD ANGLE PROJECTION	DRAWING	SERIES	MATERIAL NUMBER	CUSTOMER	SHEET NUMBER
		A3-SIZE	53780	SEE TABLE	GENERAL MARKET	2 OF 2



NOTES

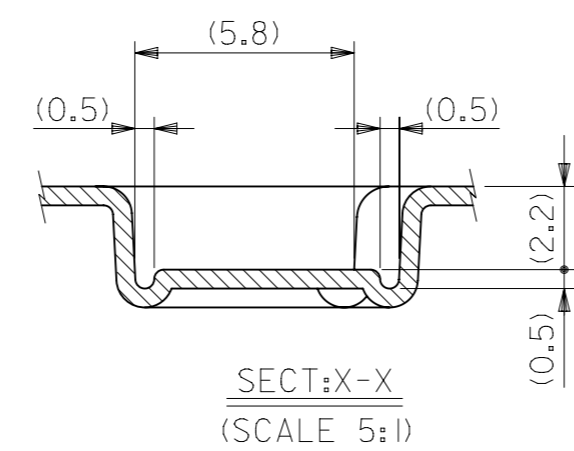
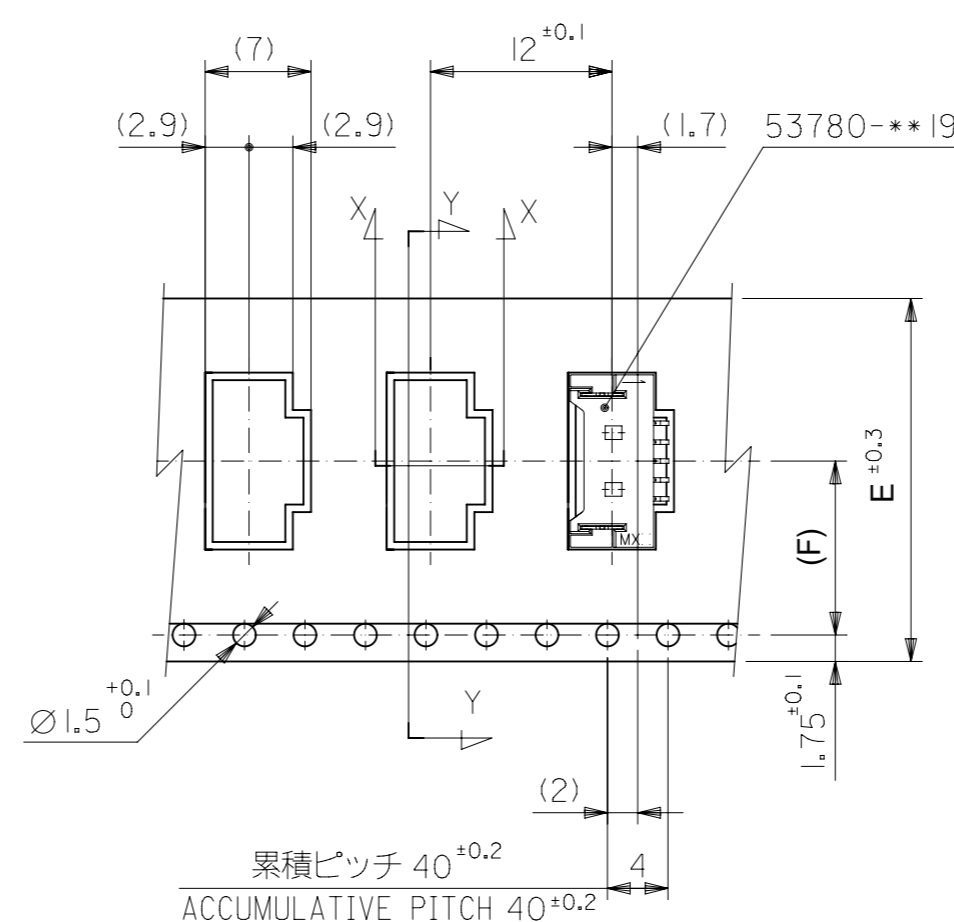
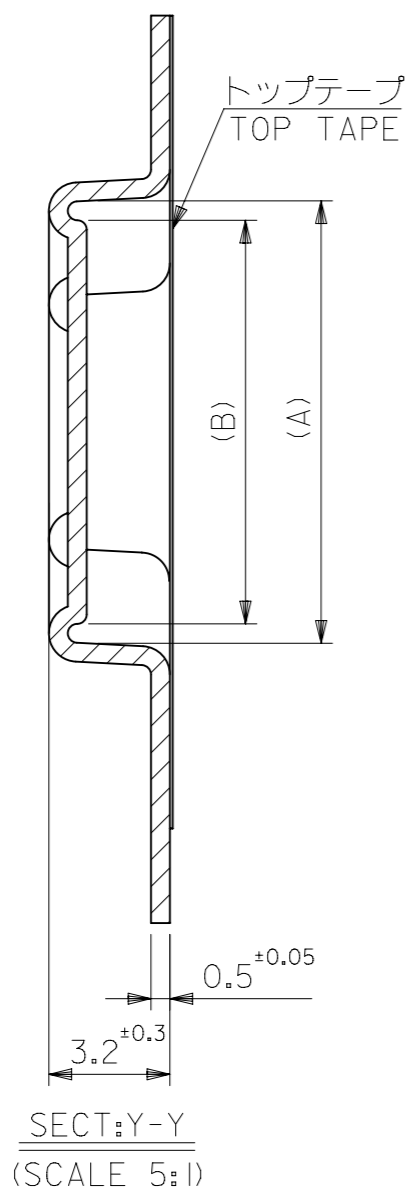
- 梱包数量：1500個/リール  
NUMBER OF CONNECTORS : 1500PCS/REEL
- リードテープ長さ LEAD TAPE LENGTH  
20PCS. MIN. トップテープ接着部 (空エンボス)  
TOP TAPE BONDED PART. (EMPTY)  
部品挿入部  
COMPONENT SUPPLIER  
末端部 (空部)  
TAIL PART (EMPTY)  
40 MIN.
- トップテープの剥離強度： 0.1N ~ 1.3N (10gf ~ 130gf)  
(剥離方向は下図参照)  
尚、本規格値は出荷時に適用。(但し、輸送時に剥離が発生しないこと。)  
PEELING OFF FORCE OF TOP TAPE : 0.1N ~ 1.3N (10gf ~ 130gf)  
(PEELING DIRECTION AS SHOWN IN FOLLOWING FIG.)  
THIS REQUIREMENT SHOULD BE APPLIED AT SHIPMENT.  
PEEL OFF SHOULD NOT BE ALLOWED, DURING TRANSPORTATION.



- 材料 (MATERIAL)  
キャリアテープ (CARRIER TAPE) : ポリプロピレン (POLYPROPYLENE)  
トップテープ (TOPTAPE) : PET, PE, PEF  
リール (REEL) : ポリスチレン (PS) <リサイクル材を含む>  
POLYSTYRENE (PS) <RECYCLE MATERIAL CONTAINED>
- 本製品は 53780-\*\*-90/-\*\*80 の鉛フリー品である。  
THIS PRODUCT IS LEAD FREE OF 53780-\*\*-90/-\*\*80.
- ELV及びRoHS適合品  
ELV & RoHS COMPLIANT

MODEL NO. 53780-\*\*-70

THIS DRAWING CONTAINS INFORMATION THAT IS PROPRIETARY TO MOLEX ELECTRONIC TECHNOLOGIES, LLC AND SHOULD NOT BE USED WITHOUT WRITTEN PERMISSION		CURRENT REV DESC: REMOVED OBSOLETE PART NUMBERS AS PER PCN#510806		<b>molex</b>	
GENERAL TOLERANCES (UNLESS SPECIFIED)		EC NO: 733771 DRWN: ANIKES1 CHK'D: GGA APPR: GGA			
10 <sup>UNDER</sup> ±0.2		4 PLACES ±0.2		2023/01/18	
10 <sup>OVER</sup> 30 <sup>UNDER</sup> ±0.25		3 PLACES ±0.25		2023/02/24	
30 <sup>OVER</sup> ±0.3		2 PLACES ±0.3		2023/02/24	
ANGULAR ±3°		1 PLACE ±		INITIAL REVISION:	
		0 PLACES ±		DRWN: TUENO APPR: MSASAO	
DRAFT WHERE APPLICABLE MUST REMAIN WITHIN DIMENSIONS		THIRD ANGLE PROJECTION		SERIES 53780	
		DRAWING A3-SIZE		DOCUMENT NUMBER SD-53780-004	
				DOC TYPE PSD	
				DOC PART 001	
				REVISION C	
				SHEET NUMBER 1 OF 3	



11.5	24	29.4	25.4	11.75	16.7	53780-0970	9
				10.5	15.45	53780-0870	8
				9.25	14.2	53780-0770	7
				8	12.95	53780-0670	6
				6.75	11.7	53780-0570	5
				5.5	10.45	53780-0470	4
7.5	16	21.4	17.4	4.25	9.2	53780-0370	3
				3	7.95	53780-0270	2
(F)	E	D	C	(B)	(A)	MATERIAL NO.	極数 CKT.
				キャリアテープ幅 CARRIER TAPE WIDTH		MODEL NO.	53780-**70

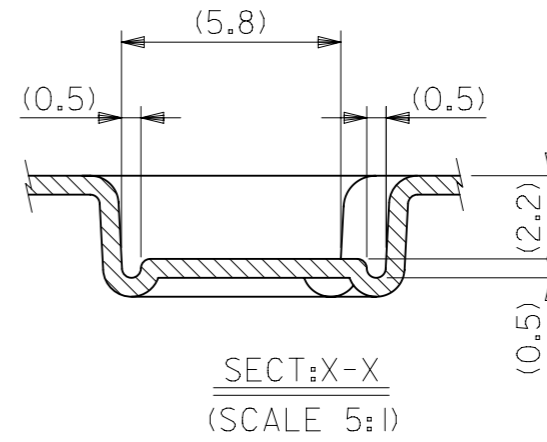
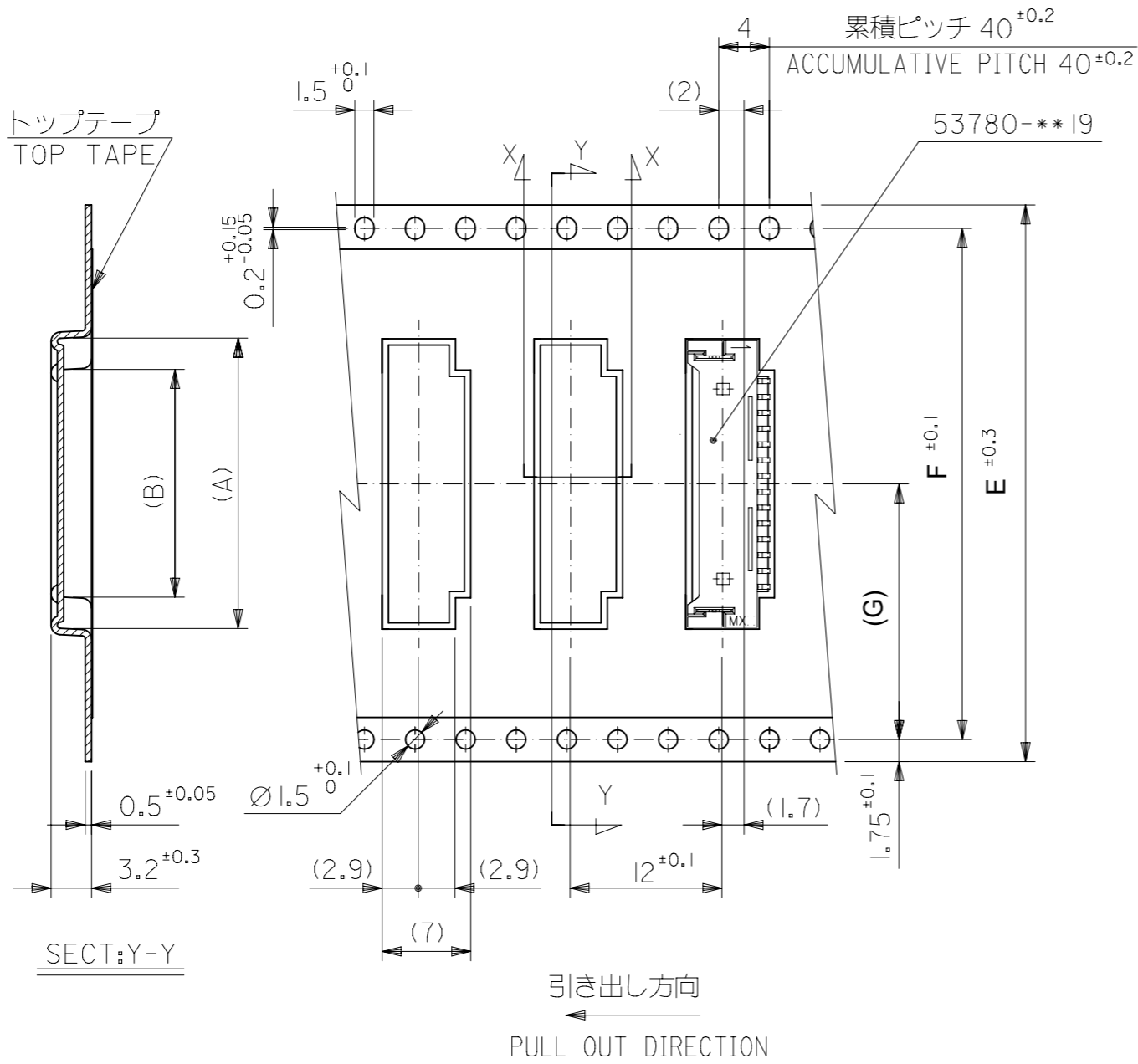
THIS DRAWING CONTAINS INFORMATION THAT IS PROPRIETARY TO MOLEX ELECTRONIC TECHNOLOGIES, LLC AND SHOULD NOT BE USED WITHOUT WRITTEN PERMISSION

DIMENSION UNITS	SCALE	CURRENT REV DESC: REMOVED OBSOLETE PART NUMBERS AS PER PCN#510806	<b>molex</b>		
mm	NTS				
GENERAL TOLERANCES (UNLESS SPECIFIED)			1.25 W/B WAFER ASSY EMBOSSED TAPE PACKAGE		
GENERAL TOLERANCES (UNLESS SPECIFIED)			PRODUCT CUSTOMER DRAWING		
ANGULAR TOL ± 3.0°			DOCUMENT NUMBER		
4 PLACES ± 0.2			SD-53780-004		
3 PLACES ± 0.25			DOC TYPE		
2 PLACES ± 0.3			PSD		
1 PLACE ±			DOC PART		
0 PLACES ±			001		
DRAFT WHERE APPLICABLE MUST REMAIN WITHIN DIMENSIONS			REVISION		
THIRD ANGLE PROJECTION			C		
DRAWING			SHEET NUMBER		
A3-SIZE			2 OF 3		
SERIES			MATERIAL NUMBER		
53780			SEE TABLE		
CUSTOMER			GENERAL MARKET		

EC NO: 733771  
DRWN: ANIKES1  
CHK'D: GGA  
APPR: GGA  
INITIAL REVISION:  
DRWN: TUENO  
APPR: MSASAO

2023/01/18  
2023/02/24  
2023/02/24  
2004/04/16  
2004/04/21

GENERAL TOLERANCES (UNLESS SPECIFIED)		
1.0 <sup>OVER</sup>	10 <sup>UNDER</sup>	±0.2
10 <sup>OVER</sup>	30 <sup>UNDER</sup>	±0.25
30 <sup>OVER</sup>		±0.3
ANGULAR ±3°		



20.2	40.4	44	49.4	45.4	25.5	30.45	53780-2070	20
					19.25	24.2	53780-1570	15
					18	22.95	53780-1470	14
(G)	F	E	D	C	(B)	(A)	MATERIAL NO.	極数 CKT.
							MODEL NO.	53780-***70

THIS DRAWING CONTAINS INFORMATION THAT IS PROPRIETARY TO MOLEX ELECTRONIC TECHNOLOGIES, LLC AND SHOULD NOT BE USED WITHOUT WRITTEN PERMISSION

DIMENSION UNITS		SCALE	CURRENT REV DESC: REMOVED OBSOLETE PART NUMBERS AS PER PCN#510806					
mm		NTS	<b>molex</b> 1.25 W/B WAFER ASSY EMBOSSED TAPE PACKAGE PRODUCT CUSTOMER DRAWING DOCUMENT NUMBER: SD-53780-004 DOC TYPE: PSD DOC PART: 001 REVISION: C MATERIAL NUMBER: SEE TABLE CUSTOMER: GENERAL MARKET SHEET NUMBER: 3 OF 3					
GENERAL TOLERANCES (UNLESS SPECIFIED)								
ANGULAR TOL $\pm 3.0^\circ$								
4 PLACES $\pm 0.2$								
3 PLACES $\pm 0.25$								
2 PLACES $\pm 0.3$								
1 PLACE $\pm$			EC NO: 733771			2023/01/18		
0 PLACES $\pm$			DRWN: ANIKES1			2023/02/24		
1.0 <sup>OVER</sup>			10 <sup>UNDER</sup>			$\pm 0.2$		
10 <sup>OVER</sup>			30 <sup>UNDER</sup>			$\pm 0.25$		
30 <sup>OVER</sup>						$\pm 0.3$		
ANGULAR			$\pm 3^\circ$			INITIAL REVISION:		
DRAFT WHERE APPLICABLE MUST REMAIN WITHIN DIMENSIONS			THIRD ANGLE PROJECTION			DRAWING: A3-SIZE		
			SERIES: 53780			DATE: 2004/04/16		
			MATERIAL NUMBER: SEE TABLE			DATE: 2004/04/21		