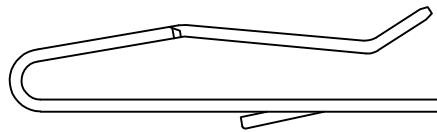
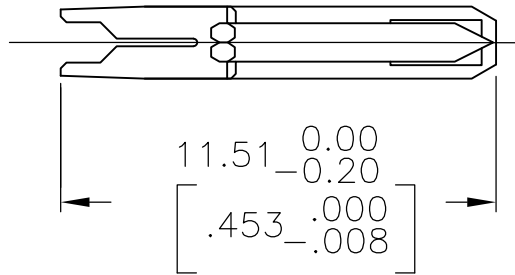


LOC	DIST	REVISIONS					
CM	00	P	LTR	DESCRIPTION	DATE	DWN	APVD
			D	ECO-07-007260	09APR07	KW	DB
			D1	REVISED PER ECO-09-021510	15AUG09	KK	AEG

- DIMENSION IN BRACKET ARE IN INCHES.
-  OBSOLETE PARTS: OBSOLETE CIS STREAMLINING PER D.RENAUD/D.SINISI



METRIC



**SUPERSEDED**


TIN	641646-2
TIN-LEAD	641646-1
FINISH	PART NO

THIS DRAWING IS UNPUBLISHED.

ALL RIGHTS RESERVED.

BY TYCO ELECTRONICS CORPORATION.

COPYRIGHT

DIMENSIONS: mm [INCHES]	DWN L. SMITH 20JAN94	MATERIAL 0.30[.012] THK COPPER ALLOY	FINISH MATTE TIN OR BRIGHT TIN LEAD 0.00203[.000080] MIN THK		
	CHK R. SWING 20JAN94	 Tyco Electronics Corporation Harrisburg, PA 17105-3608			
TOLERANCES UNLESS OTHERWISE SPECIFIED:	APVD E. BEILES 27JAN92			NAME CONTACT, 0.36-0.51 [.014-.020] POST LOOSE PEICE 28 AWG WIRE, MTA-100	
0 PLC ± -	PRODUCT SPEC -	SIZE A4	CAGE CODE 00779	DRAWING NO C-641646	RESTRICTED TO -
1 PLC ± -	APPLICATION SPEC -	SCALE 5:1		SHEET 1 OF 1	REV D1
2 PLC ± -	WEIGHT -	CUSTOMER DRAWING			
3 PLC ± -					
4 PLC ± -					
ANGLES ± -					

