

THIS DRAWING IS UNPUBLISHED.

RELEASED FOR PUBLICATION

-. - .

ALL RIGHTS RESERVED.

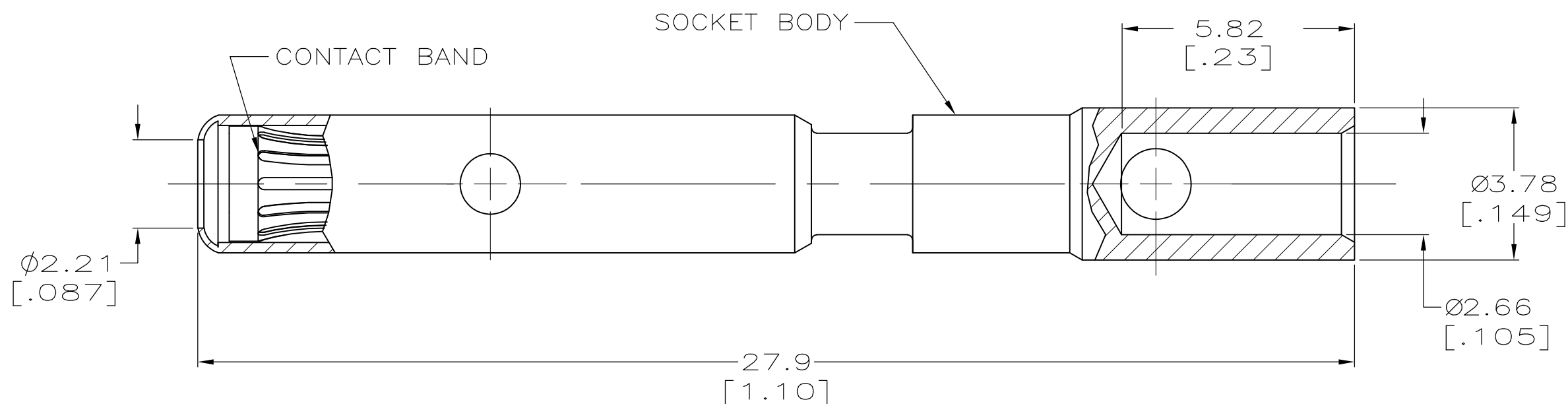
© COPYRIGHT - By -

LOC FT DIST 0

REVISIONS

| P | LTR | DESCRIPTION | DATE | DWN | APVD |
|---|-----|---------------------------|---------|-----|------|
| | H2 | REVISED PER ECO-11-004917 | 11MAR11 | RK | HMR |

- 1 MATERIAL: BODY - COPPER ALLOY
BAND - BeCu
- 2 FINISH: BODY AND BAND - .0002 IN. SILVER
OVER .00004 IN. NICKEL.
- 3. WIRE BARREL WILL ACCEPT 12-14 AWG WIRE.
- 4. MATES WITH AMP PART NUMBER 193841-1.
- 5 FINISH: BODY - 30 uIN GOLD MIN. OVER 50 uIN
NICKEL MIN. BAND- GOLD
- 6 FINISH: BODY AND BAND -
AT MINIMUM, HARD GOLD FLASH OVER 40 uINCHES
80-20 Pd/Ni OVER 100 uINCHES NICKEL.
- 7. ALL DIMENSIONS ARE REFERENCE.



| | | |
|----------|---|----------|
| | 6 | 193842-3 |
| OBSOLETE | 5 | 193842-2 |
| | 2 | 193842-1 |
| FINISH | | PART NO. |

| | | | | | | |
|--|--|-------------------------------|--|--------------|------------|---------------|
| THIS DRAWING IS A CONTROLLED DOCUMENT. | | DWN 03-18-94 C. M. SVOBODA | STE TE Connectivity | | | |
| DIMENSIONS: mm [INCHES] | | CHK - | | | | |
| TOLERANCES UNLESS OTHERWISE SPECIFIED: | | APVD - | NAME SOCKET ASSY, 2mm, 12-14 AWG HIGHCURRENT MATE-N-LOK II | | | |
| 0 PLC ± - | | PRODUCT SPEC - | | | | |
| 1 PLC ± - | | APPLICATION SPEC - | SIZE | CAGE CODE | DRAWING NO | RESTRICTED TO |
| 2 PLC ± - | | WEIGHT - | A3 | 00779 | C-193842 | - |
| 3 PLC ± - | | CUSTOMER DRAWING | | | | |
| 4 PLC ± - | | SCALE - | | SHEET 1 OF 1 | | REV H2 |
| ANGLES ± - | | | | | | |
| FINISH - | | | | | | |
| MATERIAL 1 | | | | | | |