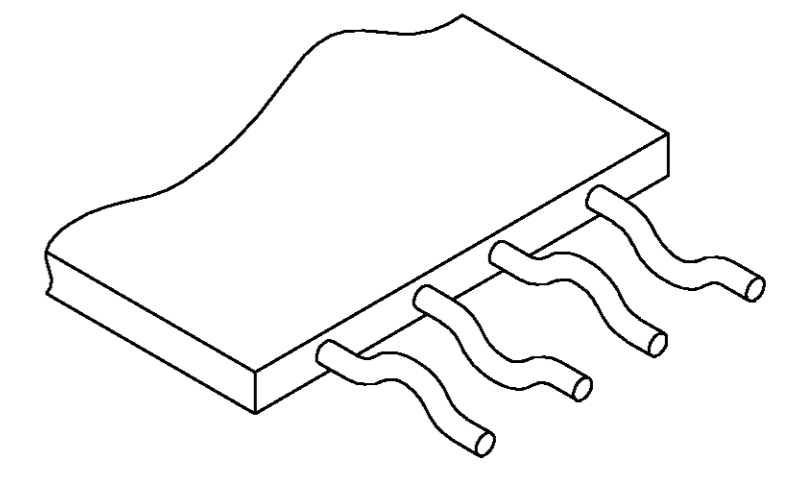
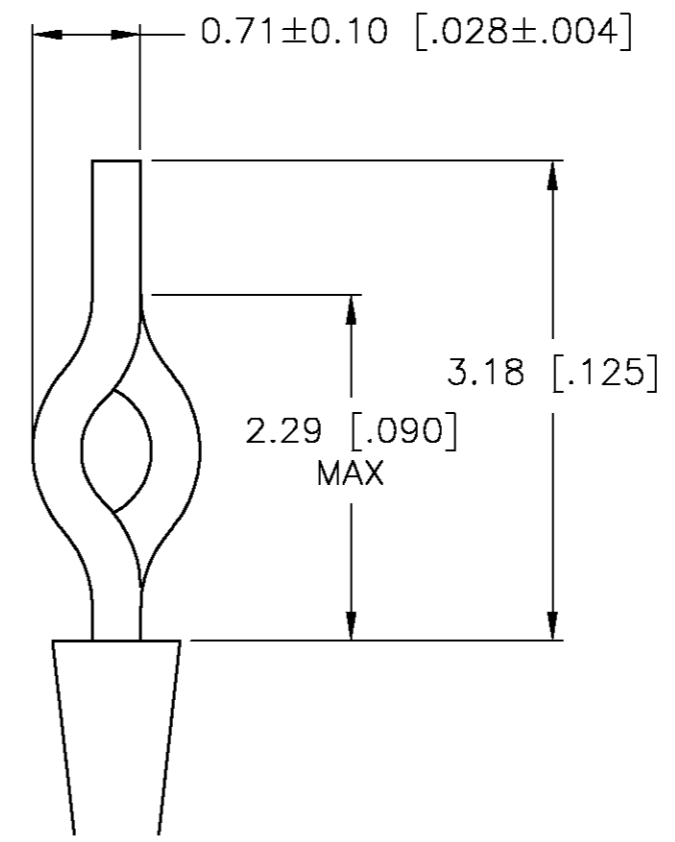
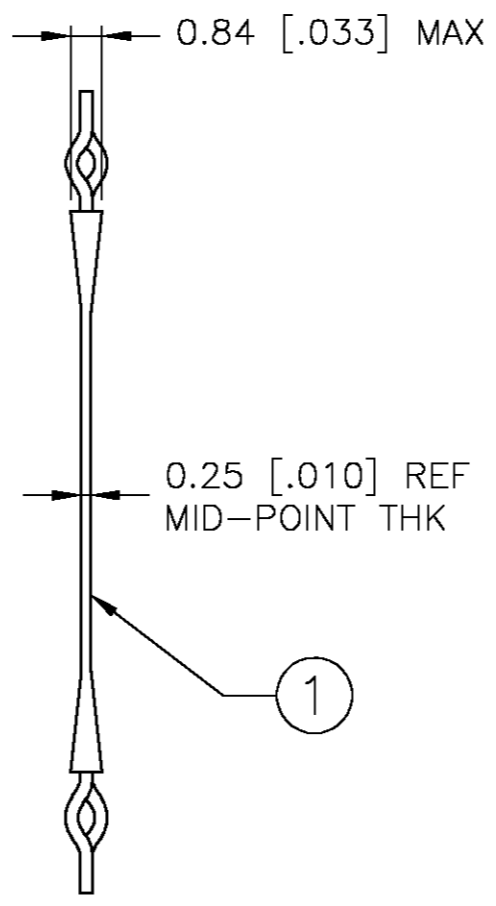
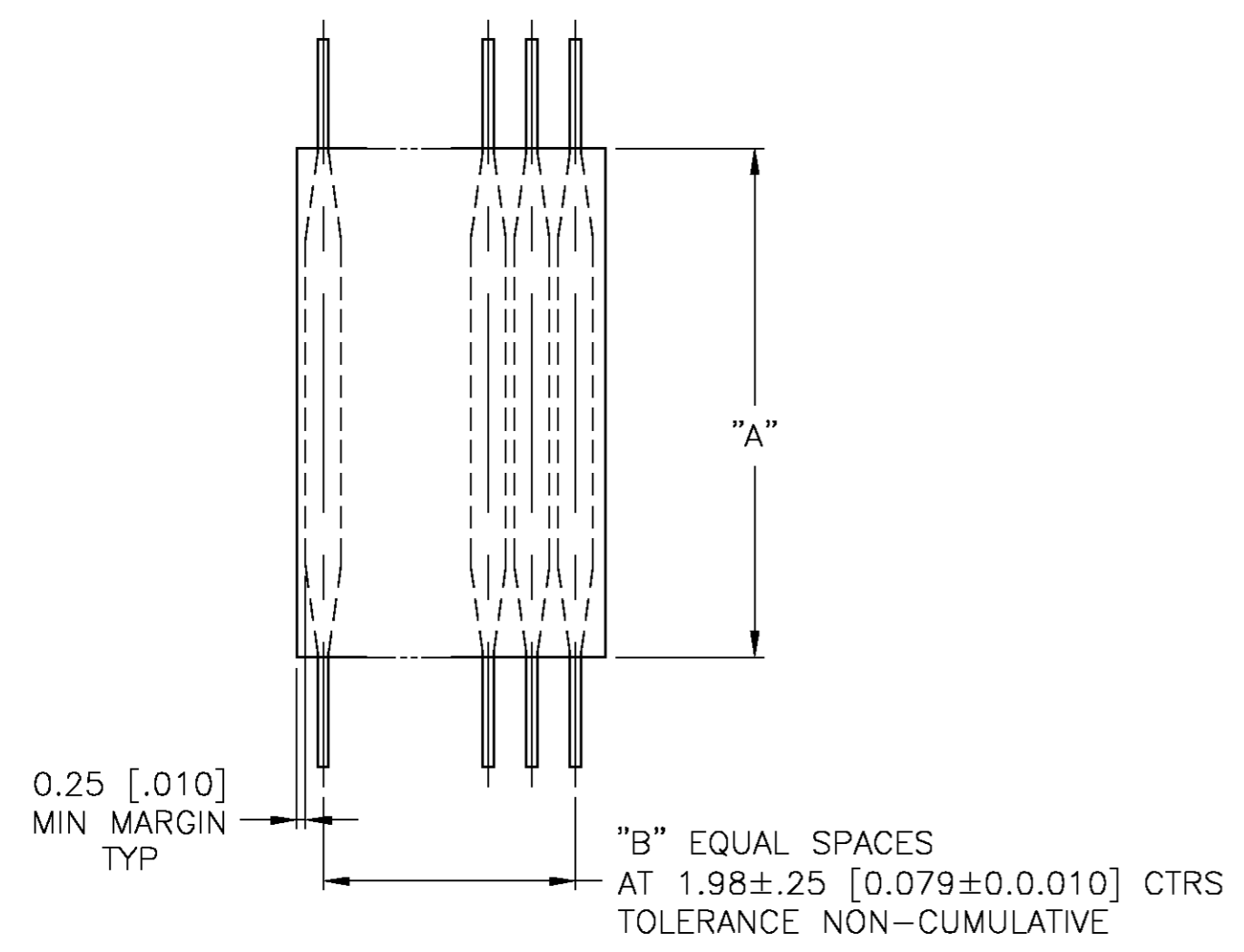


THIS DRAWING IS UNPUBLISHED. RELEASED FOR PUBLICATION
 © COPYRIGHT BY TYCO ELECTRONICS CORPORATION. ALL RIGHTS RESERVED.

LOC	DIST	REVISIONS					
GE	00	P	LTR	DESCRIPTION	DATE	DWN	APVD
		0		EC 0K41-0417-04	05MAY04	JRB	HDS



Z BEND CONDUCTORS

MATERIAL SPECIFICATIONS:
 1. INSULATOR - NOMEX
 CONDUCTORS - TIN PLATED COPPER

24	23	81.28±1.52 [3.20±.06]	2--4	
4	3	81.28±1.52 [3.20±.06]	-4	
NUMBER OF CONDUCTORS	B	DIM A	P/N	

	AFSN-73.2Z-24	2-1642624-4
	AFSN-73.2Z-4	1642624-4
	PRODUCT DESCRIPTION	TYCO P/N

THIS DRAWING IS A CONTROLLED DOCUMENT.		DWN JR BUSSARD 05 MAY 2004	tyco Electronics Tyco Electronics Corporation Harrisburg, Pa 17105-3608	
DIMENSIONS: mm [INCHES]		CHK HD SMITH 05 MAY 2004	NAME FLEXSTRIP, NOMEX, 0.078 CENTERLINE W/Z-END CONFIGURATION	
TOLERANCES UNLESS OTHERWISE SPECIFIED: 0 PLC ± - 1 PLC ± - 2 PLC ± .01 3 PLC ± .005 4 PLC ± - ANGLES ± - FINISH -		APVD HD SMITH 05 MAY 2004	RESTRICTED TO	
MATERIAL NOTED		PRODUCT SPEC APPLICATION SPEC	SIZE A2	CAGE CODE 00779
		WEIGHT -	DRAWING NO C=1642624	
		CUSTOMER DRAWING		SCALE 5:1
		SHEET 1 OF 1		REV 0

1642624