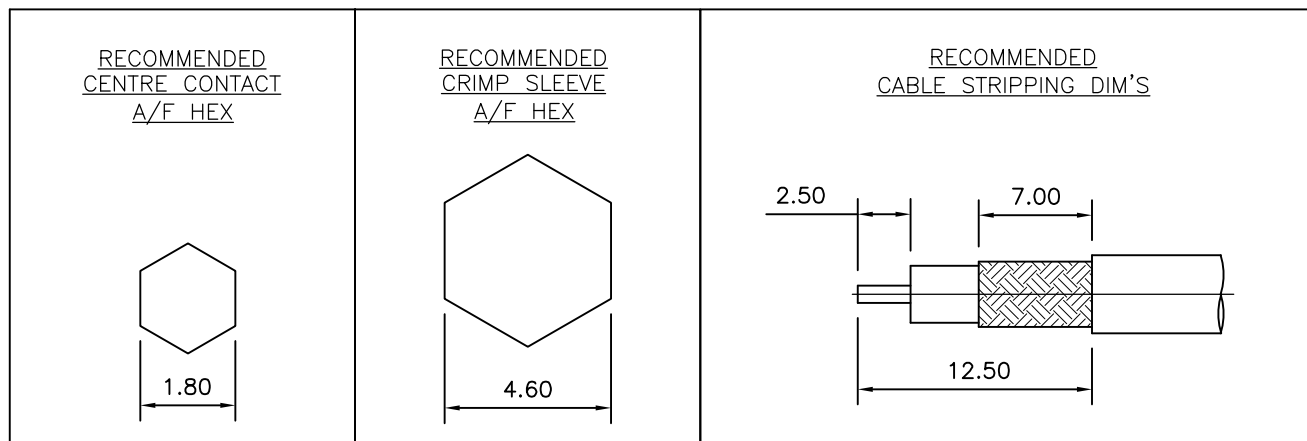
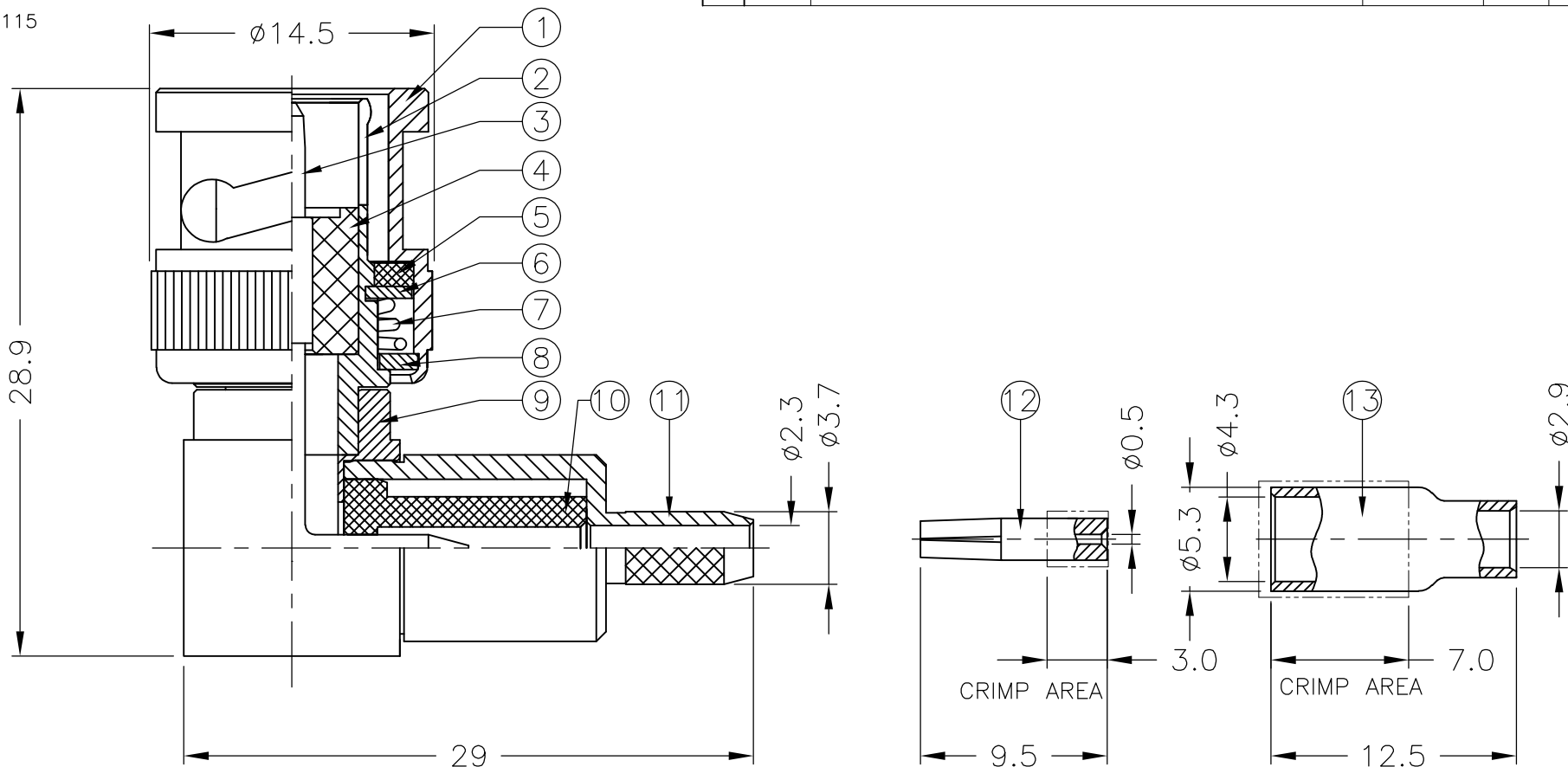


REVISIONS

P	LTR	DESCRIPTION	DATE	DWN	APVD
D		REVISE PER ECR-14-015571	08DEC2015	LN	RS

NOTES:

- ① SINGLE PACKING: ONE CONNECTOR PER LABELED BAG PACKAGED. LABELED PER TEC-107-115
- ② TRAY PACKAGED
- ③ Ag PLATING
- ④ Zn PLATING
- ⑤ THIS ITEM MUST BE WHITE
- 6 HAND TOOL : 9-1478240-0
- 7 DIE SET : 9-1478245-0
- 8 ELECTRICAL CHARACTERISTICS
 FREQUENCY RANGE: DC - 2 GHz
 NOMINAL IMPEDANCE: 75 Ohm
 INSULATION RESISTANCE: 5000 MOhm
 WORKING VOLTAGE: 500 Volts RMS at Sea Level
 DIELECTRIC WITHSTAND VOLTAGE: 1500 Volts RMS Max
 CONTACT RESISTANCE:
 CENTRE CONTACT: 1.50 mOhm Max
 OUTER CONTACT: 0.20 mOhm Max
 INSERTION LOSS dB @ x 2 GHz: 0.30 Max
- 9 MECHANICAL CHARACTERISTICS
 COUPLING RETENTION FORCE: 445N Min
 CABLE RETENTION FORCE: 85N Min
 DURABILITY: 500 Cycles Min
- 10 ENVIRONMENTAL CHARACTERISTICS
 OPERATING TEMPERATURE: -65 to +165 °C



QTY	QTY PER ASSY	MATERIAL	DESCRIPTION	ITEM
1	1	BRASS	FERRULE	13
1	1	PHOSPHOR BRONZE	CONTACT II	12
1	1	BRASS	CHASSIS	11
1	1	PTFE	INSULATION	10
1	1	BRASS	BODY II	9
1	1	STEEL	WASHER	8
1	1	STEEL	SPRING	7
1	1	STEEL	WASHER	6
1	1	SILICON RUBBER	GASKET	5
1	1	PTFE	INSULATION	4
1	1	BRASS	CONTACT I	3
1	1	BRASS	BODY I	2
1	1	BRASS	SHELL	1
6--0	1--0	MATERIAL	DESCRIPTION	ITEM

THIS DRAWING IS A CONTROLLED DOCUMENT.

DWN J.SANDWELL 24NOV05
 CHK S.PARLOW 24NOV05
 APVD F.WHEELER-KING 24NOV05

STE TE Connectivity

BNC ELBOW PLUG CRIMP 75 OHM
 RG179B/U, 187A/U, URM111

PRODUCT SPEC: 411-3247
 APPLICATION SPEC: -
 WEIGHT: -

SIZE: A3 CAGE CODE: 00779 DRAWING NO: C-1337440 RESTRICTED TO: -

CUSTOMER DRAWING SCALE: NTS SHEET: 1 OF 1 REV: D