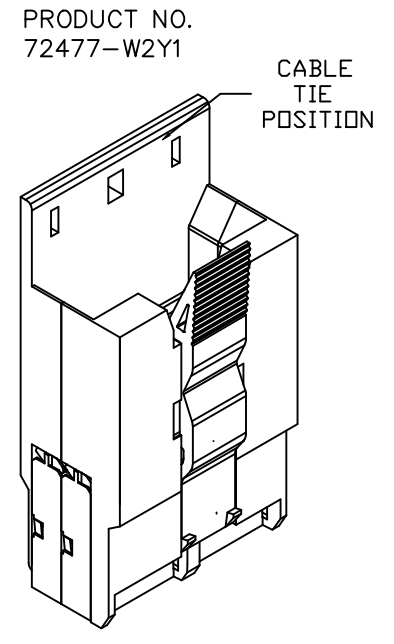
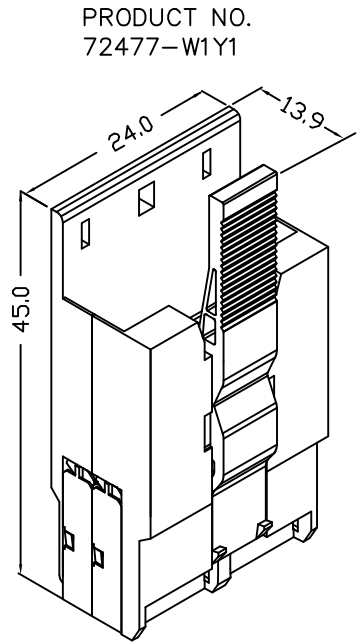
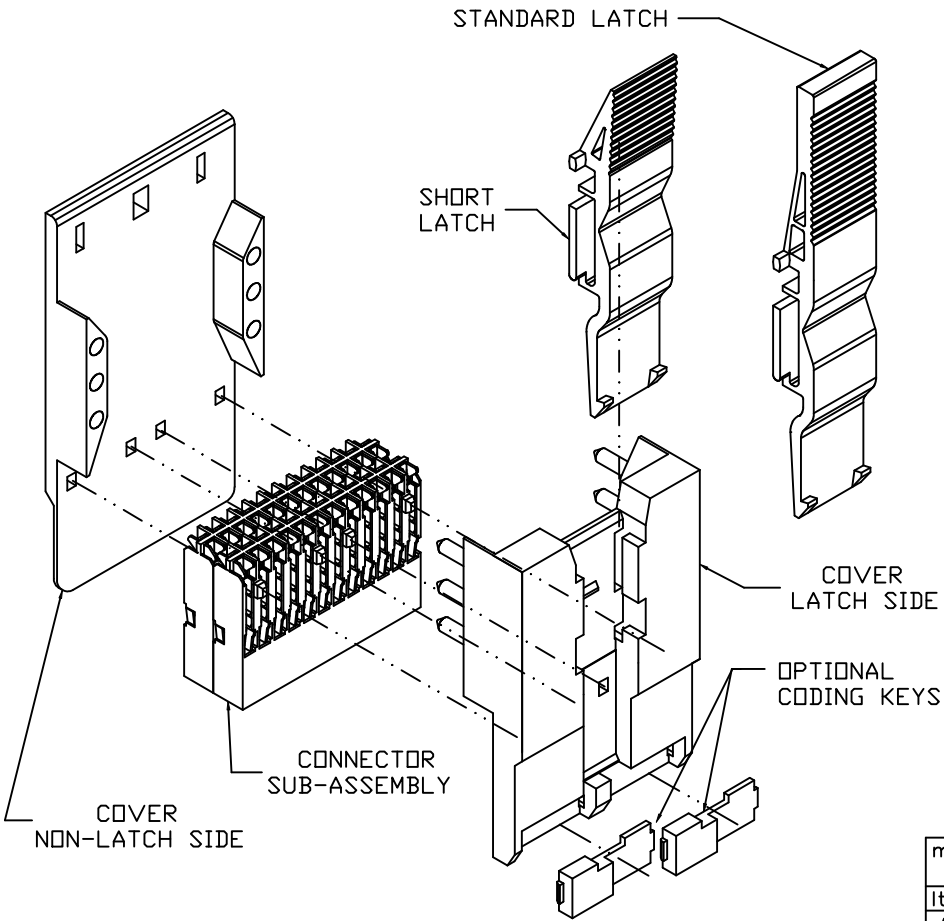


PRODUCT NO.
72477-WXY1
72477-WXY1LF



STANDARD LATCH FINGER FOR CABLE TIE BELOW LATCH FINGER AND EASIEST ACCESS TO LATCH FINGER

SHORT LATCH FINGER FOR CABLE TIE ABOVE LATCH FINGER AND LARGER CABLE SIZE CAPACITY

mat'l. code		surface		tolerance		projection		product family		
		✓				mm		METRAL CABLE		
ltr		ecn no dr		date		tolerances unless otherwise specified		title		
A	V71561	JRV	11/5/97	angles	lineal	.x±0.3		4X12 UNSHIELDED CABLE CONNECTOR KIT		
B	V12695	EPK	11/14/01	angles	lineal	.xx±0.13				
C	V05-0599	VS	09/08/05	0°±5°	lineal	.xxx±0.051				
D		V06-0613		JRV	06/22/06	dr	J.VOLSTROF	11/5/97	scale 1:1	
E		ELX-N-26305		TONY	03/06/17	engr	J.VOLSTROF	11/5/97	dwg no	
						chr	J.VOLSTROF	11/5/97	sheet 1 of 3	
						appd	J.VOLSTROF	11/5/97	size	
sheet index		revision sheet		E E		E E		type		
1 2		1 2		E E		E E		Product Customer Drawing		

PRODUCT NO.
72477-WXY1

NOTES:

1. SEE APPLICATION SPECIFICATION GS-20-002 FOR INSTRUCTIONS ON WIRE INSERTION AND ASSEMBLY OF COMPONENTS FOR CONNECTORS.
2. PLUGS INTO STANDARD METRAL 4-ROW HEADERS AND SHROUDS.
3. MAXIMUM CABLE DIAMETER
STANDARD LATCH = 6.0mm
SHORT LATCH = 9.0mm
* THE USE OF MULTIPLE CABLES OR THE STRIPPING OF THE CABLE JACKET WILL ALLOW THE USER TO OVERCOME SOME RESTRICTIONS.
4. THE PRODUCTS WHERE THE PART NUMBERS END IN LF MEET THE EUROPEAN UNION DIRECTIVES AND OTHER COUNTRY REGULATIONS AS DESCRIBED IN GS-22-008.
5. THESE PRODUCTS LISTED ON THIS DRAWING WILL NOT WITHSTAND WAVE SOLDER OR REFLOW OPERATIONS.
- ⑥ FOR LEADFREE PART NUMBERS, ADD AN 'LF' SUFFIX.
EXAMPLE: 72477-WXY1LF

ORDERING INFORMATION FOR KITS AND PARTS

- EACH KIT (CONNECTOR) CONSISTS OF:
- 2 CONNECTOR SUB-ASSEMBLIES
 - 1 COVER, NON-LATCH SIDE
 - 1 COVER, LATCH SIDE
 - 1 LATCH FINGER

ORDER KITS 72477-WXY1 WHERE

PLATING ON CONTACT AREA.

- W=1 FOR 0.8 um GOLD
- W=2 FOR 2.0 um GOLD
- W=3 FOR 1.3 um GOLD
- W=9 FOR 0.8 um GXT

LATCH FINGER SIZE

- X=1 FOR STANDARD LATCH FINGER
- X=2 FOR SHORT LATCH FINGER

COPPER WIRE SIZE

- Y=1 FOR 26 TO 24 GAGE
- Y=2 FOR 30 TO 28 GAGE

MATERIAL

- INSULATORS, COVERS AND KEYS
GLASS FILLED 612 POLYAMIDE (UL 94 V-0)
- LATCH FINGERS
POLYETHERIMIDE (UL 94 V-0)
- CONTACTS
PHOSPHOR BRONZE
SnPb FINISH ON IDC DIMPLES

OPTIONAL CODING KEYS

- PART NUMBER 72388-0AA1
- 18 VARIETIES AA = 01 TO 18
- USE IN CONJUNCTIONS WITH HEADER CODING KEYS 70274-001 KEYS 1 TO 18 RESPECTIVELY

COMPONENT PART NUMBERS AND INFORMATION

CONNECTOR SUBASSEMBLY

- PART NUMBER 72394-W2Y1
- * 2 REQUIRED PER CONNECTOR
- PLATING ON CONTACT AREA.
W=1 FOR 0.8 um GOLD
W=2 FOR 2.0 um GOLD
W=3 FOR 1.3 um GOLD
W=9 FOR 0.8 um GXT

COPPER WIRE SIZE

- Y=1 FOR 26 TO 24 GAGE
- Y=2 FOR 30 TO 28 GAGE

COVER, LATCH SIDE
PART NUMBER 72513-002

COVER, NON-LATCH SIDE
PART NUMBER 72513-001

SHORT LATCH FINGER
PART NUMBER 72389-001

STANDARD LATCH FINGER
PART NUMBER 70289-001

mat'l. code		surface		tolerance		projection		product family	
ltr	ecn no	dr	date	tolerances unless otherwise specified				METRAL CABLE	
				angles	line	mm		title	
				0±5°		← →		4X12 UNSHIELDED CABLE CONNECTOR KIT	
				dr	J.VOLSTROF	11/5/97	scale 1:1		dwg no
				enr	J.VOLSTROF	11/5/97	Amphenol FCI		sheet 2 of 3
				chr	J.VOLSTROF	11/5/97	72477		size
				app	J.VOLSTROF	11/5/97	type		A4
sheet index	revision sheet	E	E	E			Product Customer Drawing		
		1	2	3					

PRODUCT NO.
72477-WXY1LF

SEE NOTE 6

ORDERING INFORMATION FOR KITS AND PARTS
EACH KIT (CONNECTOR) CONSISTS OF:
2 CONNECTOR SUB-ASSEMBLIES
1 COVER, NON-LATCH SIDE
1 COVER, LATCH SIDE
1 LATCH FINGER

ORDER KITS 72477-WXY1LF WHERE

PLATING ON CONTACT AREA.

- W=1 FOR 0.8 um GOLD
- W=2 FOR 2.0 um GOLD
- W=3 FOR 1.3 um GOLD
- W=9 FOR 0.8 um GXT

LATCH FINGER SIZE

- X=1 FOR STANDARD LATCH FINGER
- X=2 FOR SHORT LATCH FINGER

COPPER WIRE SIZE

- Y=1 FOR 26 TO 24 GAGE
- Y=2 FOR 30 TO 28 GAGE

MATERIAL

INSULATORS, COVERS AND KEYS
GLASS FILLED 612 POLYAMIDE (UL 94 V-0)

LATCH FINGERS
POLYETHERIMIDE (UL 94 V-0)

CONTACTS
PHOSPHOR BRONZE
SN SOLDER FINISH ON IDC DIMPLES (LEAD FREE)

OPTIONAL CODING KEYS

PART NUMBER 72388-OAA1LF
18 VARIETIES AA = 01 TO 18
USE IN CONJUNCTIONS WITH HEADER CODING
KEYS 70274-001 KEYS 1 TO 18 RESPECTIVELY

COMPONENT PART NUMBERS AND INFORMATION

CONNECTOR SUBASSEMBLY
PART NUMBER 72394-W2Y1LF
* 2 REQUIRED PER CONNECTOR

PLATING ON CONTACT AREA.

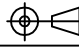

- W=1 FOR 0.8 um GOLD
- W=2 FOR 2.0 um GOLD
- W=3 FOR 1.3 um GOLD
- W=9 FOR 0.8 um GXT

COPPER WIRE SIZE

- Y=1 FOR 26 TO 24 GAGE
- Y=2 FOR 30 TO 28 GAGE

COVER, LATCH SIDE COVER, NON-LATCH SIDE
PART NUMBER 72513-002LF PART NUMBER 72513-001LF

SHORT LATCH FINGER STANDARD LATCH FINGER
PART NUMBER 72389-001LF PART NUMBER 70289-001LF

mat'l. code		surface <input checked="" type="checkbox"/> tolerance		projection 		product family METRAL CABLE		
ltr	ecn no	dr	date	tolerances unless otherwise specified		title		
				angles	.X±0.3	4X12 UNSHIELDED		
				line	.XX±0.13	CABLE CONNECTOR KIT		
				0'±5"	.XXX±0.051	scale 1:1		
		dr	J.VOLSTROF	11/5/97			dwg no	
		engr	J.VOLSTROF	11/5/97			sheet 3 of 3	size
		chr	J.VOLSTROF	11/5/97			72477	A4
		appd	J.VOLSTROF	11/5/97			Product Customer Drawing	
sheet index	revision sheet	E	E	E				
		1	2	3				