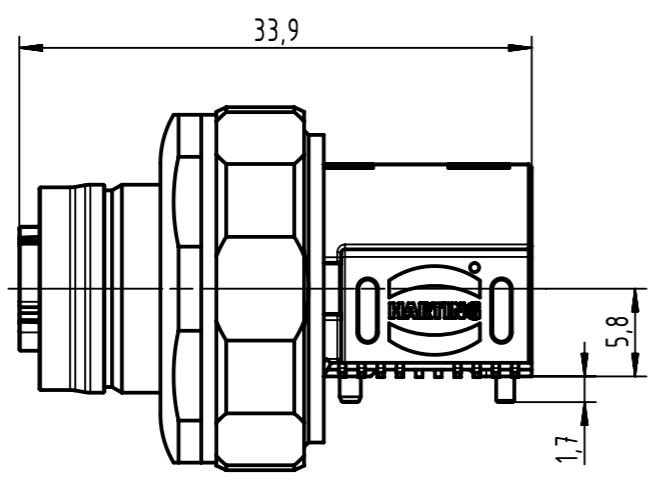
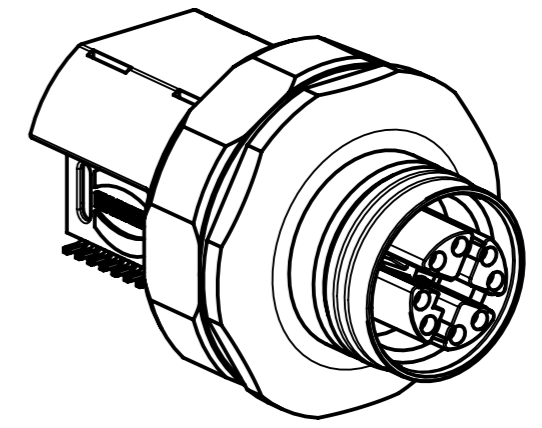
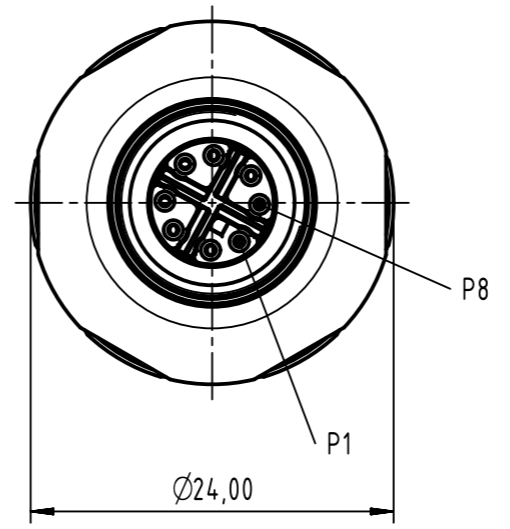


mating face based on
IEC 61076-2-109



1 PC Packaging
 Content: 1 x 21033814825
 M12 transformer angled X-coded 10G BASE-T
 1 x 21033012006
 Front mounting kits
 Further information see data sheet: 21 03 381 0203

	All rights reserved Department EL PD HARTING Electronics GmbH D-32339 Espelkamp	All Dimensions in mm Original Size DIN A3		Scale 2:1	Free size tol.	Ref. Sub.
		Created by ZHUANGJ	Inspected by ZENGDO	Standardisation SCHREIER	Date 2020-08-27	State Final Release
Title M12 WITH MAGNETICS X-CODED ANGLED POE+ 10GB					Doc-Key / ECM-Nr. 100696830/UGD/004/C 500000178726	
Type TB		Number 21033814827		Rev. C	Page 1/1	