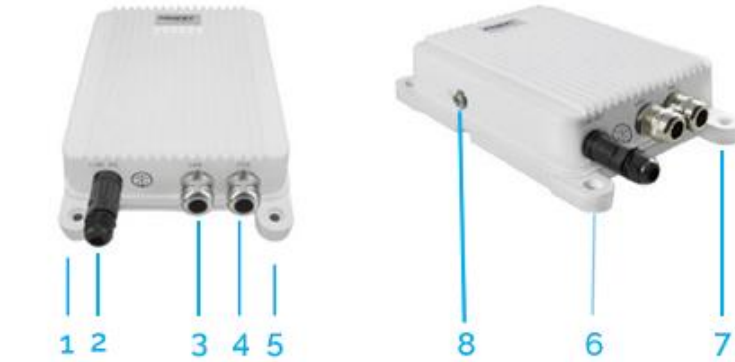


Technical Data Sheet

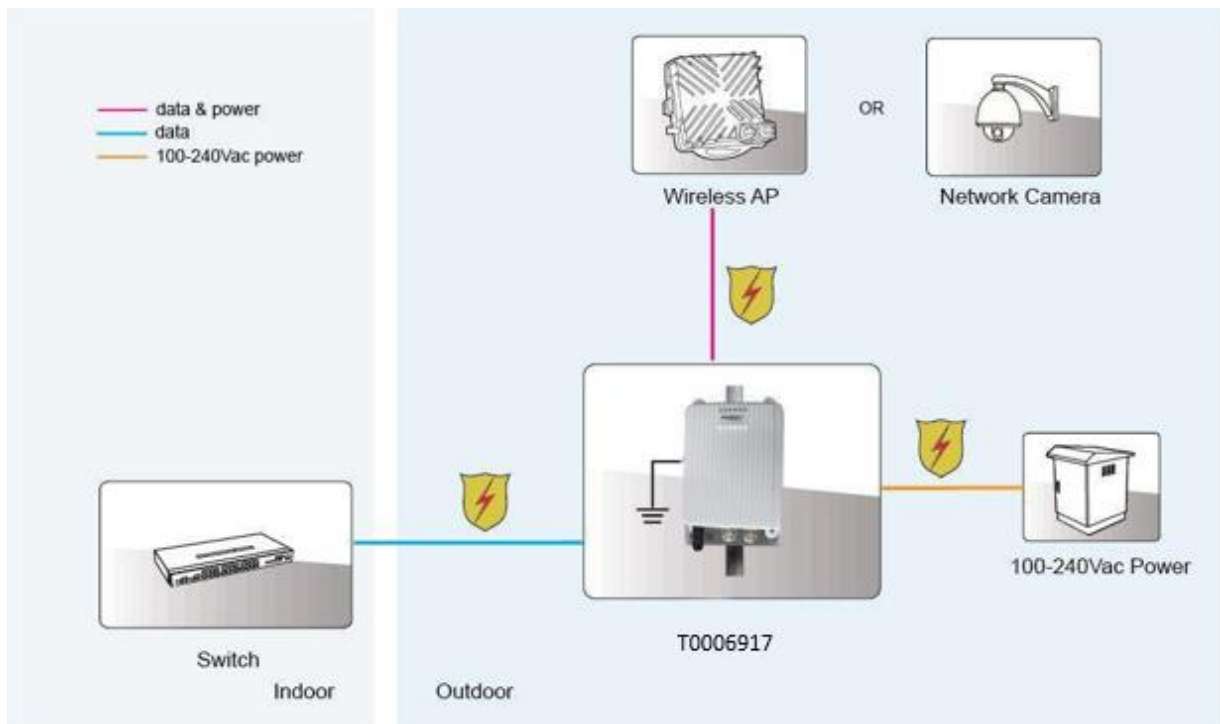
Outdoor 1-Port 60W PoE Injector	
Product Number	T0006917
	
Product Overview	
<p>The T0006917 is a single port, waterproof PoE Injector. It provides 55Vdc, 1.1A power for remote PDs over full 4 pairs output with 6KV (10/700us) surge protection. It supports both 10/100Base-T and Gigabit devices. T0006917 works for 60W PoE PDs and is compatible with the TEKTELIC Kona Gateways.</p> <p>It is compatible and safe to use with any IEEE802.3af/at compliant terminals.</p>	<p>T0006917 is designed for outdoor use. It works with input voltage of 100-240Vac and operates under -40°C to +65°C and is IP67 rated to work in the harshest deployment environments. It is suitable for working in complex power situations required for carrier grade networks which require an Outdoor-Rated POE Injector.</p>

Product Interfaces



2	AC Input Port
3	LAN: Data Input Port
4	PoE: Data & Power Output Port
8	Earth Ground
1, 5, 6, 7	Mounting Holes

Product Functional Diagram



Specifications	
Standards	IEEE802.3 10Base-T Ethernet
	IEEE802.3u 100Base-Tx Fast Ethernet
	IEEE802.3ab 1000Base-T Gigabit Ethernet
	Full compliant with IEEE802.3af/at, PoE++
	RoHS & REACH Compliance
	WEEE Compliance
	Protection Level: IP67, IEC60529, NEMA 250
Input & Output	
Input	100-240Vac 1.5A 50/60Hz
Output	55Vdc 1100mA
Power Pins	4/5(+), 7/8(-) and 3/6(+),1/2(-)
Data Speed	10/100/1000Mbps
Working Environment	
Operating Temperature	-40°C to 65°C
Operating Humidity	10% to 100%, Condensing
Storage Temperature	-40°C to 85°C
Storage Humidity	10% to 95%, non-condensation
Operating Altitude	up to 5000 meters
AC Surge Protection	
Common mode surge protection(10/700us)	6KV
Differential mode surge protection (10/700us)	1.5K
PoE Surge Protection	
Protected line	1,2,3,4,5,6,7,8
Common mode surge protection (10/700us)	6KV
Differential mode surge protection (10/700us)	1.5KV
Certification Marks	- CE - FCC
EMI	FCC CFR47 Part 15, EN55024, EN55032
EMC	IEC 61000-4-2(ESD) ± 6kV(contact), ±8kV(air) IEC 61000-4-3(RS) 10V/m(80MHz~2GHz)

	IEC 61000-4-4(EFT) Power Port: ±2kV; Data Port:±1kV
	IEC 61000-4-5(Surge) Power Port:±1kV/DM, ±2kV/CM
	IEC 61000-4-6(CS) 10V(150kHz~80MHz)
Mechanical Robustness	IEC 60068-2-6(Vibration)
	IEC 60068-2-27(Impact)
	IEC 60068-2-32(Free Fall)
	IP67
Safety Certification	UL 62368-1 (Reference: DK-91995-UL)
	UL 60950-22
Mechanical Characteristics	
Case	Metal
Color	White
Mounting	Wall or Pole (pole mounting requires optional bracket, wall mounting requires customer supplied bolts or screws)
IP Rated	IP67
Size	176mm X 269mm X 65mm
	1.8 kg

Wire Connection

Outdoor PoE midspan AC input port and RJ45 port installation steps:

1. AC wire installation



(1) The AC input port is screw terminal connector, on the AC input port there is an indicator showing pin definition. The 3 pins are labelled: Ground, N (neutral) and L (line).

(2) (3) Strip 25mm of cable jacket and 10mm of each wire jacket. Put your power cable through the waterproof cap.

(4) (5) Insert wires into the correct pin ports and use a straight screw driver to fix the wires to each pin.

(5) Slide the waterproof gland over the AC input port pins and hand tighten to the housing. Hand tighten the waterproof nut to the cable.

2. RJ45 Port net cable installation



The T0006917 Injector does not come with an included ethernet cable. A Cat5e or Cat6 cable rated for 60 watt power transfer is recommend.

There are two RJ45 ports: LAN and POE, the two ports have the same connection instructions; Put the cable with RJ45 jacket through the waterproof suit. You can also add the waterproof suit to cable first then add the RJ45 jacket, then tighten them to the injector RJ45 socket.

Outdoor Pole Mounting Kit (Optional)

Product Number

T0006918

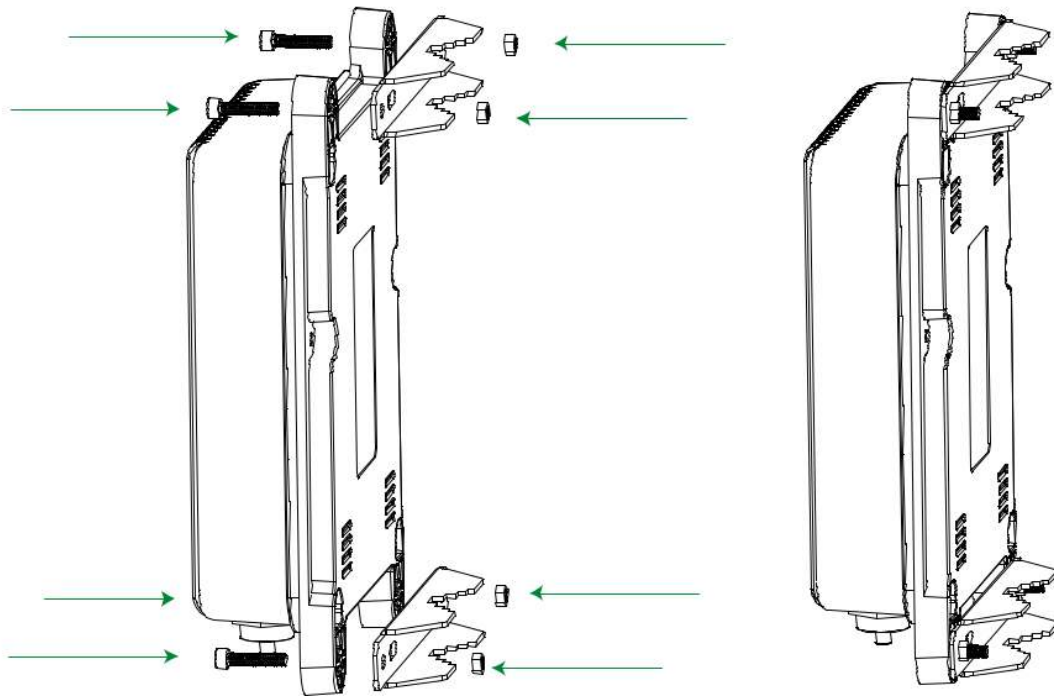


Product Overview

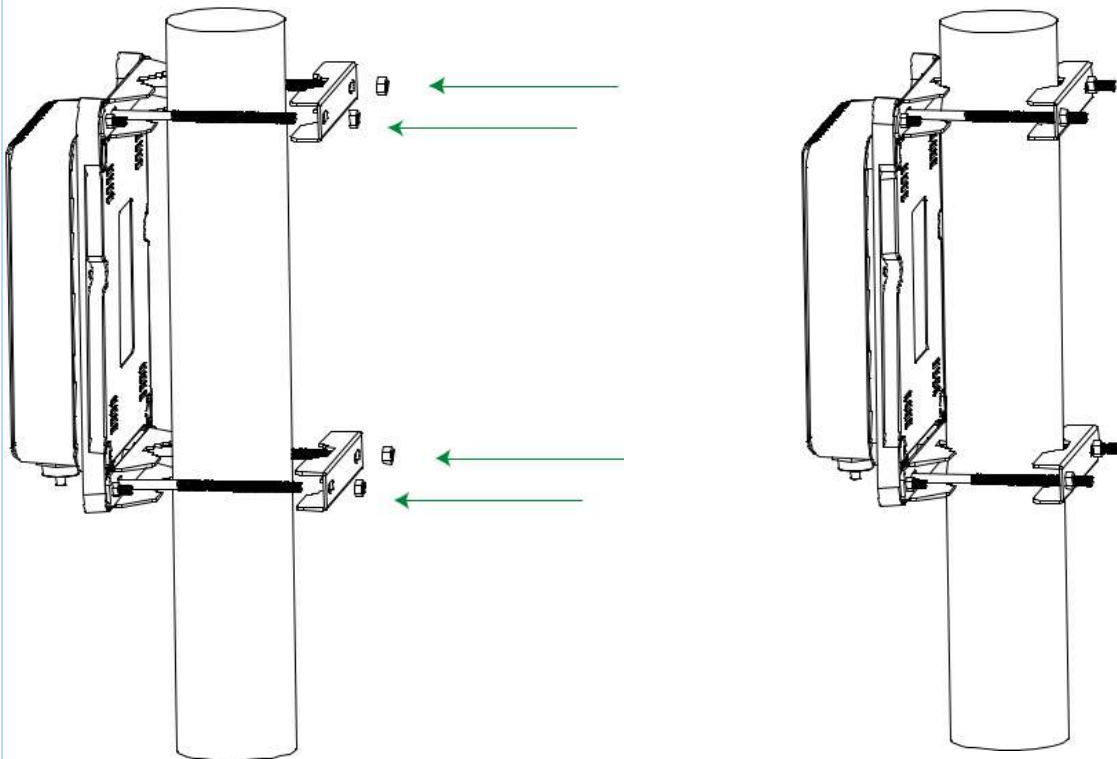
The T0006917 Outdoor PoE Injector has an optional pole mounting option that is easy to deploy.

Mounting kit components are made from high quality 304 stainless steel. The bracket components also have a painted finish (white, gloss, anti-corrosion).

Pole Mounting Instructions

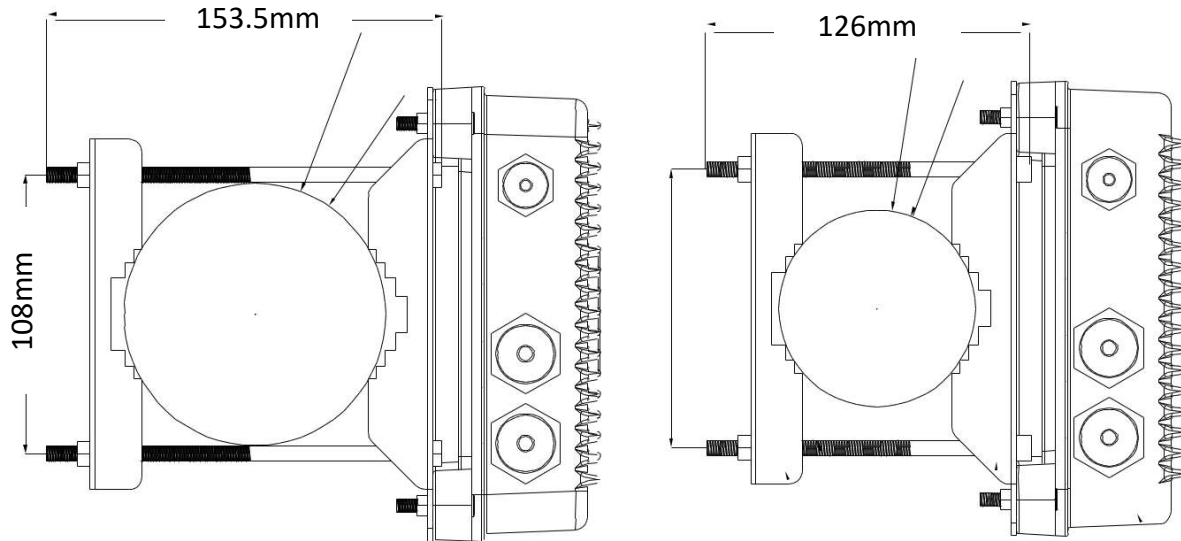


Use the supplied four (4) M5×25 bolts and M5 nuts to mount the 2 large brackets to the product as shown.



Attach the module to a pole (3" to 4" diameter) using the supplied bolts, nuts and small brackets as shown.

Supported pole diameter range: 76.2mm (3 inch) to 101.6mm (4 inch)



Pole mounting kit contents



4PCS M5x25 bolts and nuts



4PCS M6x120 bolts and nuts



2 small brackets



2 large brackets

**Pole Mounting Kit is optional and to be ordered separately